



**SUZUKI**  
**MARINE**

Parts Book  
DT40c 86-98

## PREFACE

When it becomes necessary to replace parts on SUZUKI OUTBOARD MOTORS, always use SUZUKI GENUINE PARTS which have passed a strict inspection which guarantees quality and performance.

This parts catalogue covers the list of all service parts for SUZUKI DT40C '86~'98 MODEL.

### INSTRUCTIONS FOR QUOTING THE CATALOGUE

#### 1. DIMENSIONS

Dimensions of the parts in this catalogue are indicated in unit millimeters.

#### 2. ABBREVIATIONS

Abbreviations used in this catalogue are as follows:

AR	: As required	NT	: Number of teeth
ASSY	: Assembly	OPT	: Optional
E.No.	: Engine number	OS	: Over size
F.No.	: Frame number	STD	: Standard
d	: Diameter of material	T	: Thickness
ID	: Inside diameter	US	: Under size
OD	: Outside diameter	W	: Width
L	: Length	W/	: With
LH(PORT)	: Left hand side	S,L,UL,LL	: Transom type
RH(STBD)	: Right hand side	SUS	: Stainless steel
~123456	: Up to F.No.04003-123456	PTT	: Power trim and tilt
123456~	: From F.No.04003-123456		

$12 \times 34 \times 5.6$ ..... Figures in the description column  
| | | show the dimensions of parts.  
ID OD T(or W,L)

→12345-56781 (Parts No.) : indicates that the parts number was changed to 12345-56781 and the new parts are interchangeable with the former ones but the former ones are not interchangeable with new ones.

←12345-56781 (Parts No.) : indicates that the former and new parts are interchangeable with each other and both are usable.

#### 3. INNER PARTS OF ASSEMBLY

Part name with a dot (.) in front as shown in the description column indicates the component of the assembly also available individually.

#### 4. MODIFICATION NOTICE

A parts bulletin will be sent to you on all occasions when changes in parts occur, including interchangeable modifications between new parts and old ones.

#### 5. NOTE

5-1. There are some different parts from those of production models among spare parts for the administrative reasons and common use of them with other models.

5-2. In respect of rubber hoses and vinyl tubes, please be sure to use them by cutting off according to the length mentioned on parts catalogue or what is actually required on the vehicle.

5-3. Note that the drawings on the illustration page are for ready reference of spare parts number, not to be used as an assembly manual. When assembling, use "SUZUKI SERVICE MANUAL".

#### 6. ENGINE NUMBER

DT40C '86 MODEL	: 04003-608513~
DT40C '87 MODEL	: 04003-714001~
DT40C '88 MODEL	: 04003-820016~
DT40C '89 MODEL	: 04003-923925~
DT40C '90 MODEL	: 04003-011001~
DT40C '91 MODEL	: 04003-131001~
DT40C '92 MODEL	: 04003-231001~
DT40C '93 MODEL	: 04003-351001~
DT40C '94 MODEL	: 04003-461001~
DT40C '95 MODEL	: 04003-581001~
DT40C '96 MODEL	: 04003-651001~
DT40C '97 MODEL	: 04003-751001~
DT40C '98 MODEL	: 04003-861001~

FIG.1

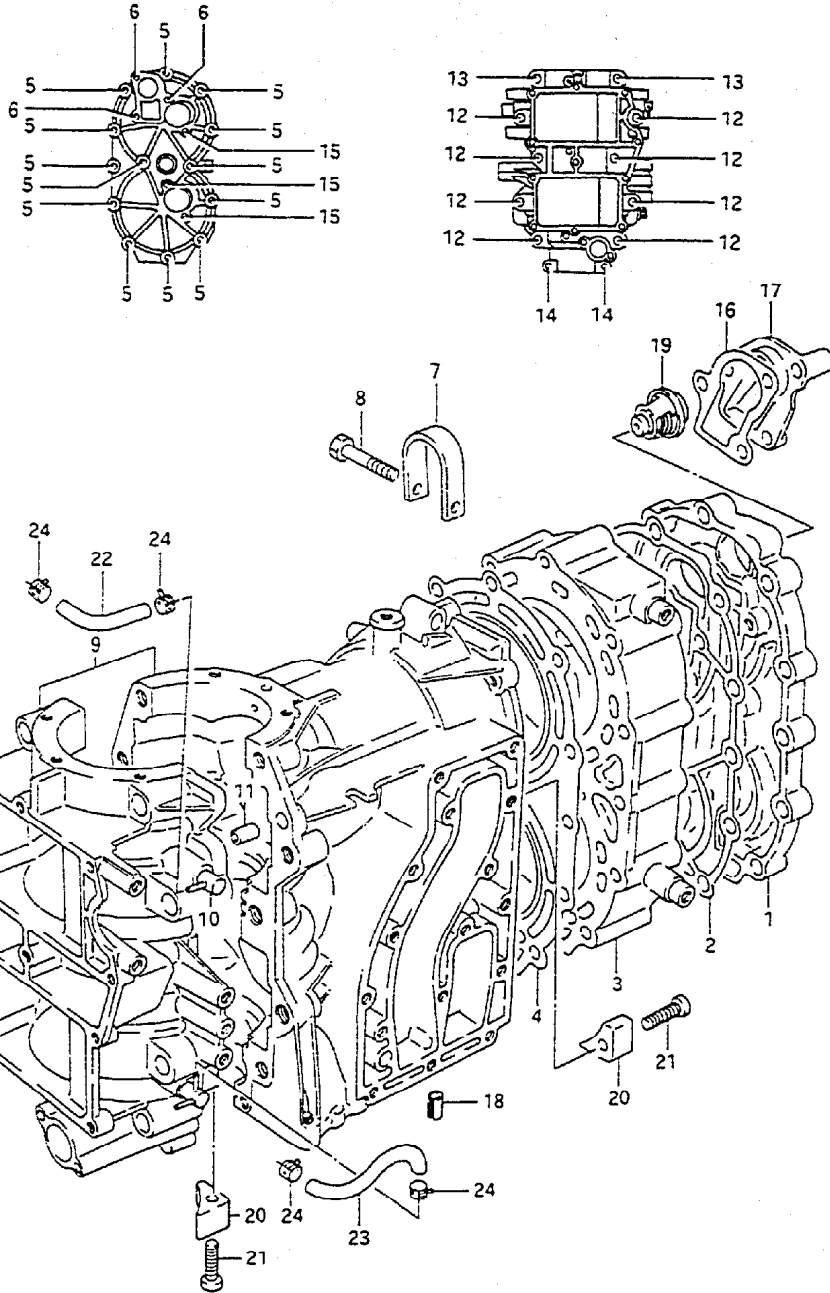


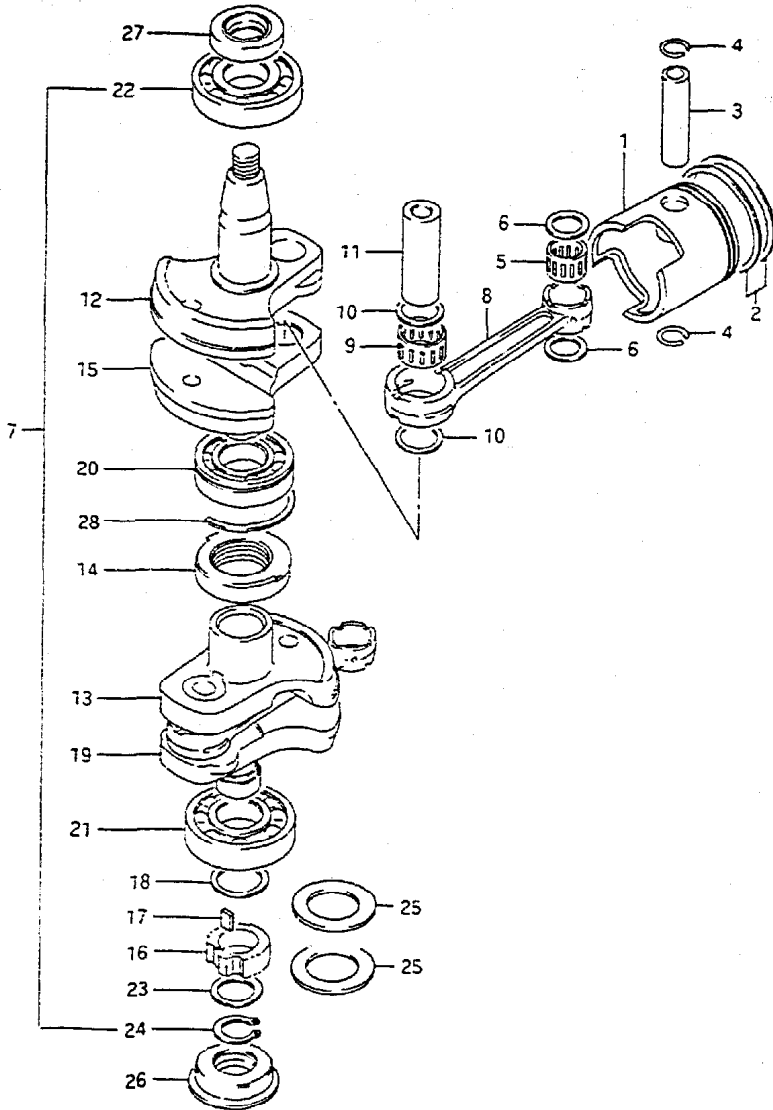
FIG.1 ( B- 2) CYLINDER

REF.NO.	PART NO.	DESCRIPTION	Q-TY	REMARKS
1	11161-94400-OED	COVER, CYLINDER HEAD (GRAY)	1	
2	11162-94410	GASKET, CYLINDER HEAD COVER	1	
3	11111-94401-OED	HEAD, CYLINDER (GRAY)	1	
4	11141-94440	GASKET, CYLINDER HEAD	1	
5	01560-08757	BOLT	13	
6	09103-06182	BOLT (6X28)	3	
7	11291-94402	HOOK, ENGINE	1	
8	01550-08357	BOLT	1	
9-1	11301-94446-OED	CYLINDER ASSY (GRAY)	1	-MODEL:94
9-2	11301-94452-OED	CYLINDER ASSY (GRAY)	1	MODEL:95-98
10	16710-94420	.VALVE, CHECK	2	-MODEL:94
11	04211-09109	.KNOCK PIN	2	
12	01550-10557	.BOLT	8	
13	01560-10657	.BOLT	2	
14	01550-06407	.BOLT	2	
15	09103-06183	BOLT (6X38)	3	
16	17685-94410	GASKET, THERMOSTAT COVER	1	
17	17681-94401-OED	COVER, THERMOSTAT (GRAY)	1	
18	09205-06011	PIN	1	
19	17670-94402	THERMOSTAT (60°C)	1	
20	11281-94400	PROTECTION, ANODE	2	
21	09126-06005	SCREW (6X30)	2	
22	09351-25703-600	HOSE	1	L:600-60 MODEL:88-94
23	09351-25703-600	HOSE	1	L:600-75 MODEL:88-94
24	09401-06405	CLIP	4	MODEL:88-94

DT40C E3

FIG.2

FIG.2 ( B-3) CRANKSHAFT



REF.NO.	PART NO.	DESCRIPTION	Q-TY	REMARKS
1-1	12110-94400	PISTON	2	
1-2	12100-94400-025	PISTON SET (OS:0.25)	2	OPT
1-3	12100-94400-050	PISTON SET (OS:0.50)	2	OPT
2-1	12140-94400	RING SET, PISTON	2	
2-2	12140-94400-025	RING SET, PISTON (OS:0.25)	2	OPT
2-3	12140-94400-050	RING SET, PISTON (OS:0.50)	2	OPT
3	12151-94400	PIN, PISTON	2	
4	09381-20003	SNAP RING	4	
5	09263-20072	BEARING	2	
6	09169-20004	WASHER	4	
7-1	12200-94487	CRANKSHAFT ASSY	1	-12200-94490
7-2	12200-94490	CRANKSHAFT ASSY	1	MODEL:95-98
8	12161-94400	.CONNECTING ROD	2	
9	09263-27005	.BEARING, CRANK PIN	2	
10	09160-27008	.WASHER	4	
11	12211-94410	.PIN, CRANK	2	
12	12221-94412	.CRANKSHAFT, UPPER	1	
13	12232-94412	.WHEEL, CRANKSHAFT, UNDER	1	
14	09289-45001	.OIL SEAL	1	-MODEL:90
15	12231-94413	.WHEEL, CRANKSHAFT, UPPER	1	
16-1	16321-95301	.GEAR, OIL PUMP DRIVE	1	
16-2	16321-95310	.GEAR, OIL PUMP DRIVE	1	MODEL:95-98
17-1	09421-08001	.KEY	1	
17-2	09421-08002	.KEY	1	MODEL:95-98
18	09181-30212	.WASHER	1	
19	12240-94432	.CRANKSHAFT, UNDER	1	
20	09269-30012	.BEARING, MIDDLE	1	
21	09262-35052	.BEARING, UNDER	1	
22	09262-35053	.BEARING, UPPER	1	
23	09181-30167	.WASHER	1	
24	08331-31306	.CIRCLIP	1	
25	08211-30385	.THRUST WASHER	2	MODEL:95-98
26	09283-30062	OIL SEAL	1	
27	09283-35043	OIL SEAL	1	
28	09390-72008	C RING	1	

DT40C E3

FIG.3

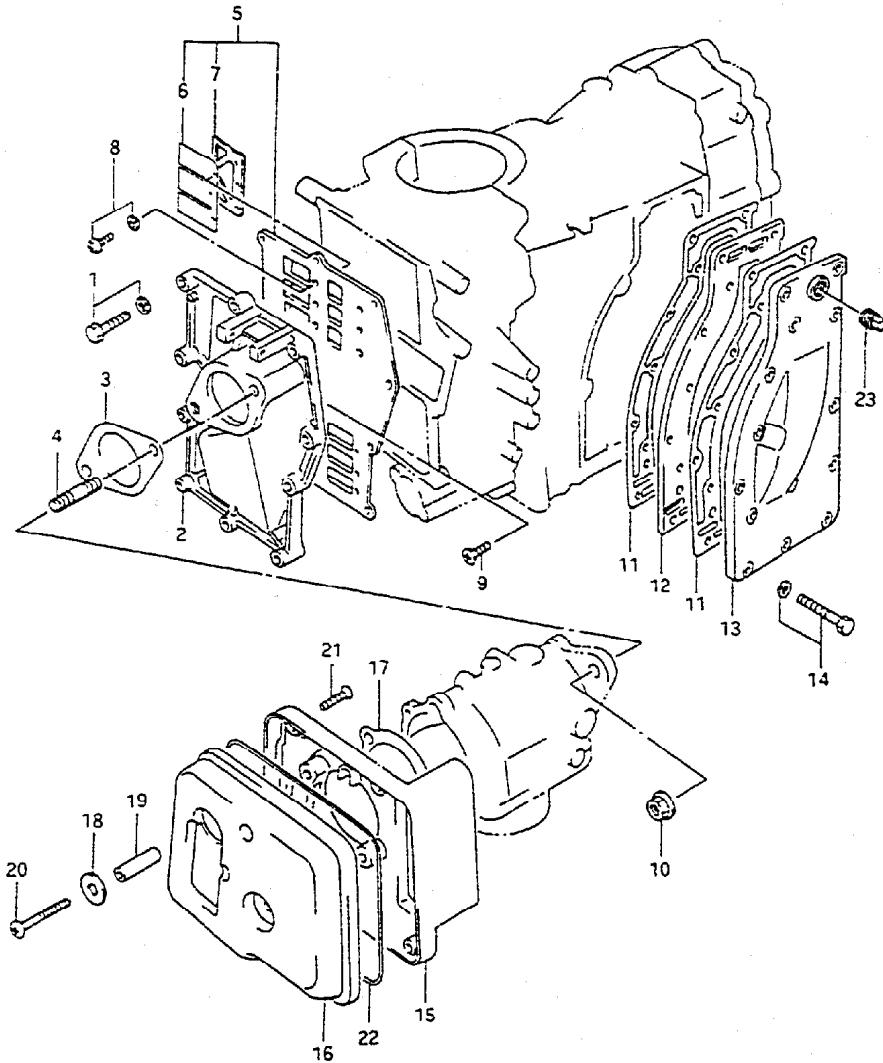


FIG.3 ( B-4 ) INLET CASE

REF.NO.	PART NO.	DESCRIPTION	QTY	REMARKS
1	01550-06307	BOLT (6X30)	10	
2	13111-94400-OED	INLET CASE (GRAY)	1	
3	13125-95210	GASKET, CARBURETOR	1	
4	01411-08207	STUD BOLT	2	
5	13150-94402	VALVE ASSY, REED	1	
6	13153-94400	.VALVE, REED	4	
7	13152-94401	.STOPPER, REED VALVE	4	
8	02112-33063	.SCREW	12	
9-1	09126-06008	SCREW (6X16)	1	
9-2	02122-06163	SCREW	1	MODEL:94~98
10	08316-10087	NUT	2	
11	14151-94411	GASKET, EXHAUST COVER	2	
12	14131-94400	PLATE, EXHAUST	1	
13	14141-94400-OED	COVER, EXHAUST (GRAY)	1	
14	01550-06307	BOLT	16	
15	13811-94420	CASE, SILENCER	1	
16	13812-94410	COVER, SILENCER	1	
17	13855-95210	GASKET, SILENCER	1	
18	09160-06066	WASHER (6.5X20X1.6)	2	
19	09180-06254	SPACER	2	
20	09125-06089	SCREW	2	
21	03222-05203	SCREW	5	
22	09280-63001	O RING	1	
23	09246-04005	PLUG	1	611483-

FIG.4

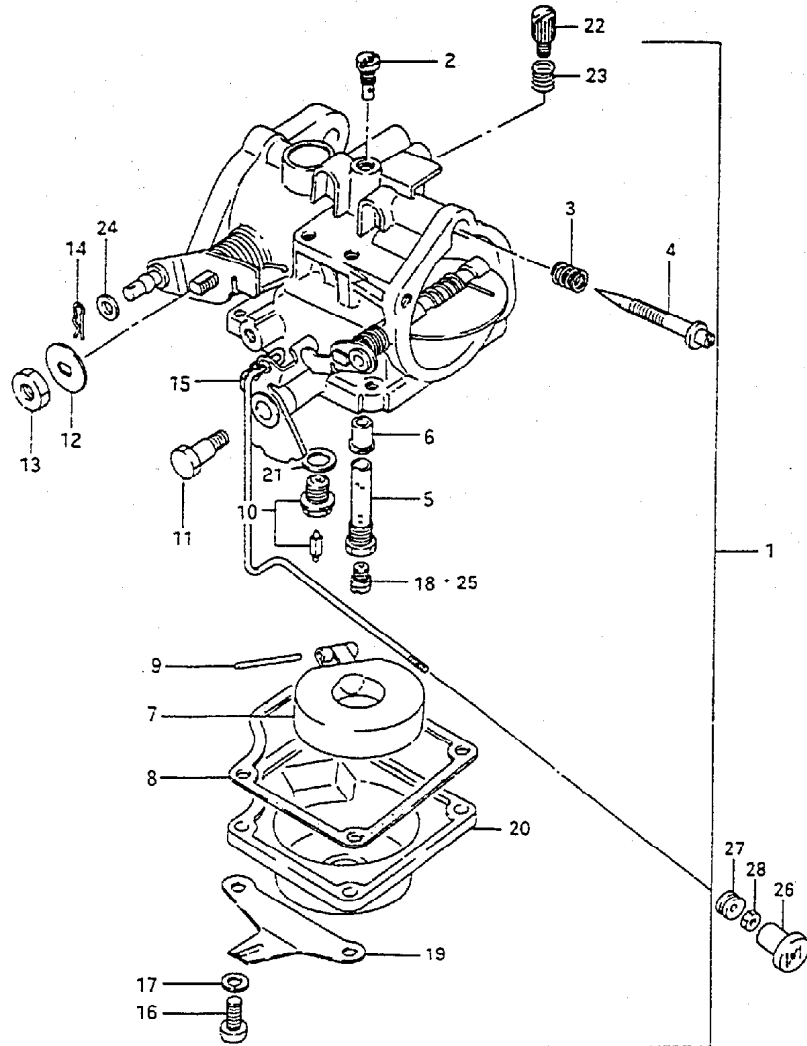


FIG.4 ( B-5) CARBURETOR

Q'TY

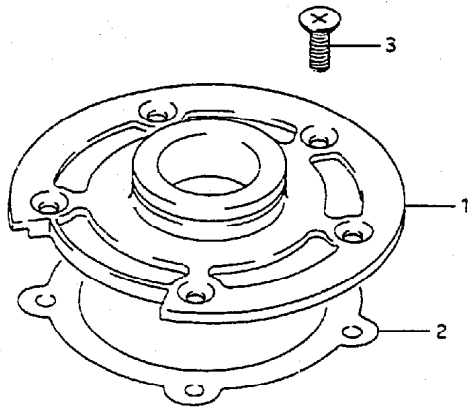
REMARKS

REF.NO.	PART NO.	DESCRIPTION	Q'TY	REMARKS
1-1	13200-944F0	CARBURETOR ASSY	1	
1-2	13200-944H0	CARBURETOR ASSY	1	MODEL:98
2-1	09492-77001	.JET, PILOT (77.5)	1	
2-2	09492-72004	.JET, PILOT (72.5)	1	MODEL:98
3-1	13271-93311	.SPRING, AIR SCREW	1	
3-2	13268-96111	.SPRING	1	MODEL:98
4-1	13269-95210	.SCREW, PILOT AIR	1	
4-2	13269-98100	.ADJUSTER	1	MODEL:98
5-1	13236-94400	.MAIN NOZZLE	1	
5-2	13236-94410	.MAIN NOZZLE	1	MODEL:98
6	13237-94400	.NOZZLE	1	
7	13250-93012	.FLOAT	1	
8	13251-95220	.GASKET, FLOAT CHAMBER	1	
9	13254-93010	.PIN, FLOAT	1	
10-1	13370-28110	.VALVE ASSY, NEEDLE	1	
10-2	13370-97E20	.VALVE ASSY, NEEDLE	1	MODEL:93-98
11	13613-94300	.BOLT	1	
12	13606-93310	.WASHER	1	
13	13607-93310	.NUT	1	
14	13464-96350	.PIN	2	
15	13580-94400	.LEVER ASSY	1	
16	02112-05167	.SCREW	4	
17	08321-01057	.LOCK WASHER	4	
18-1	09491-38007	.JET, MAIN (190)	1	
18-2	09491-35011	.JET, MAIN (177.5)	1	MODEL:98
19	13426-95211	.SPRING, PLATE	1	
20	13245-94400	.FLOAT CHAMBER	1	
21	13392-58600	.GASKET, VALVE SEAT	1	
22	13534-94430	.SCREW	1	
23	13268-96110	.SPRING	1	
24	13432-33110	.WASHER	1	
25	09493-22005	.JET, AIR	1	MODEL:98
26	13631-93501	KNOB, STARTER	1	
27	09305-04005	BUSH	1	
28	09140-04007	NUT	1	
29	13910-94400	REPAIR KIT, CARBURETOR	1	OPT, NOT SHOWN

DT40C E3

FIG.5

FIG.5 ( B- 6) OIL SEAL HOUSING



REF.NO.	PART NO.	DESCRIPTION	Q'TY	REMARKS
1	11411-94400	HOUSING, UPPER OIL SEAL	1	
2	11413-94411	GASKET, UPPER OIL SEAL	1	
3-1	09126-06008	SCREW	5	
3-2	02122-06167	SCREW	5	MODEL:94~98
4	31911-94402-OED	BRACKET, STARTING MOTOR	1	
5	C1580-08257	BOLT	4	

COLOR : OED (GRAY)

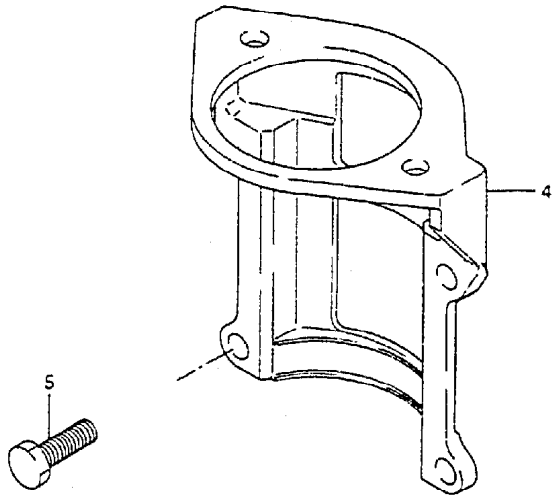


FIG. 6

FIG. 6 ( B- 7) FUEL PUMP

Q'TY

REMARKS

REF. NO.	PART NO.	DESCRIPTION	Q'TY	REMARKS
1	15100-94303	PUMP ASSY, FUEL	1	
2	15170-94311	.DIAPHRAGM SET	1	
3	15183-94301	.SCREW	2	
4	15186-94300	.NUT	2	
5	15851-94300	.SCREW	3	
6	01500-06403	BOLT	2	
7	08321-01067	LOCK WASHER	2	
7A	01570-06407	BOLT	2	MODEL:94
8	08322-01067	WASHER	2	
9	15321-99710	GASKET, FUEL PUMP	1	
10	09352-50903-600	HOSE (PUMP TO CARBUR)	1	L:600-110
11	09352-50903-600	HOSE (FILTER TO PUMP)	1	L:600-135
12	15410-93411	FILTER, FUEL	1	-15410-94400
13-1	15430-93410	.STRAINER SET	1	FOR 15410-93410
13-2	15430-93411	.STRAINER SET	1	FOR 15410-93411
14	15413-93400	.CUP	1	
17	08322-01087	WASHER	1	
18	08310-00087	NUT	1	
19	09352-50903-600	HOSE (CONNECTOR TO FILTER)	1	L:600-370
20	09404-06432	CLAMP	1	
21	15331-94300	CLIP, FUEL HOSE	2	MODEL:86-90
22	09401-08410	CLIP, FUEL HOSE	4	MODEL:86-90
23	09401-08411	CLIP, FUEL HOSE	6	MODEL:91-94

REFER TO FIG. 6A(B-8) FOR MODEL:95-98

DT40C E3

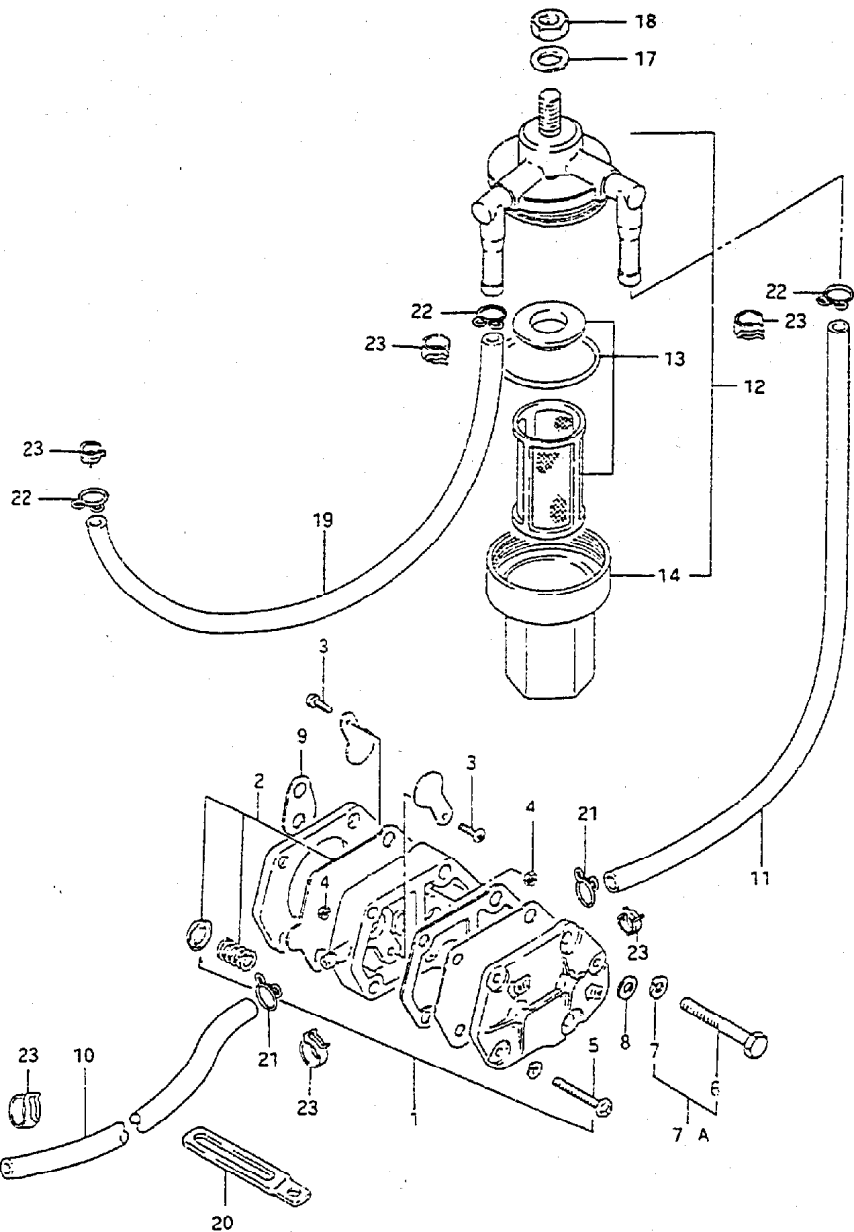




FIG.6 A

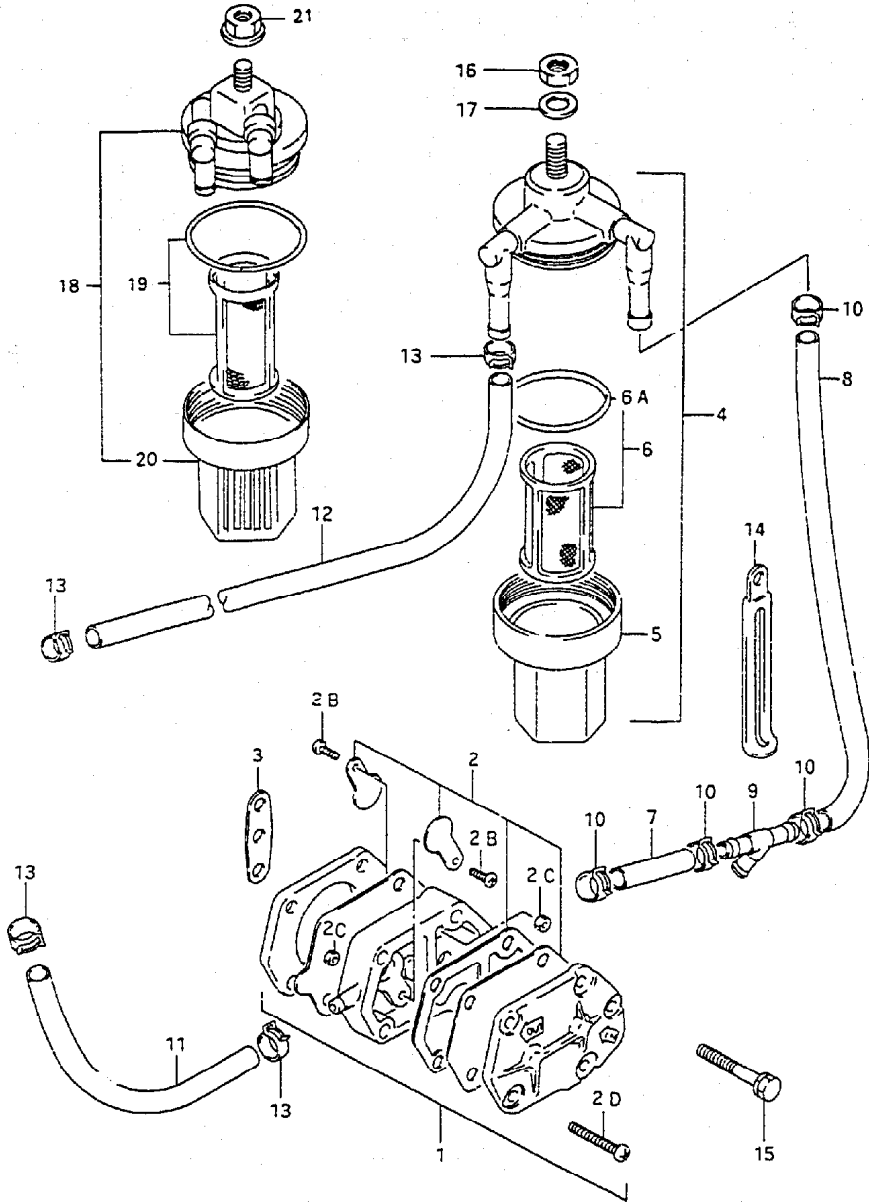


FIG.6A ( B- 8) FUEL PUMP (MODEL:95-98)

REF.NO.	PART NO.	DESCRIPTION	Q'TY	REMARKS
1	15100-94311	PUMP, FUEL	1	
2	15170-94320	.DIAPHRAGM SET	1	
2B	15183-94301	.SCREW	2	
2C	15186-94300	.NUT	2	
2D	15851-94300	.SCREW	3	
3	15321-99710	GASKET, FUEL PUMP	1	
4	15410-93411	FILTER ASSY, FUEL	1	→15410-94400 ~MODEL:96
5	15413-93400	.CUP	1	~MODEL:96
6	15430-93411	.STRAINER SET	1	~MODEL:96
6A	15415-93400	..O RING	1	~MODEL:96
7	09352-50903-600	HOSE, FUEL (3 WAY TO PUMP)	1	L:600→40
8	09352-50903-600	HOSE, FUEL (FILTER TO 3 WAY)	1	L:600→180
9	09367-06005	3 WAY	1	
10	09401-08411	CLIP	4	
11	09352-50903-600	HOSE, FUEL (PUMP TO CARB)	1	L:600→110
12	09352-50903-600	HOSE, FUEL (CONN TO FILTER)	1	L:600→400
13	09401-08411	CLIP	4	
14	09404-06432	CLAMP	1	
15	01570-06407	BOLT	2	
16	08310-00087	NUT	1	~MODEL:96
17	08322-01087	WASHER	1	~MODEL:96
18	15410-94400	FILTER ASSY, FUEL	1	MODEL:97,98
19	15430-87D10	.STRAINER SET	1	MODEL:97,98
20	15413-87D10	.CUP	1	MODEL:97,98
21	08316-10087	NUT	1	MODEL:97,98

FIG. 7

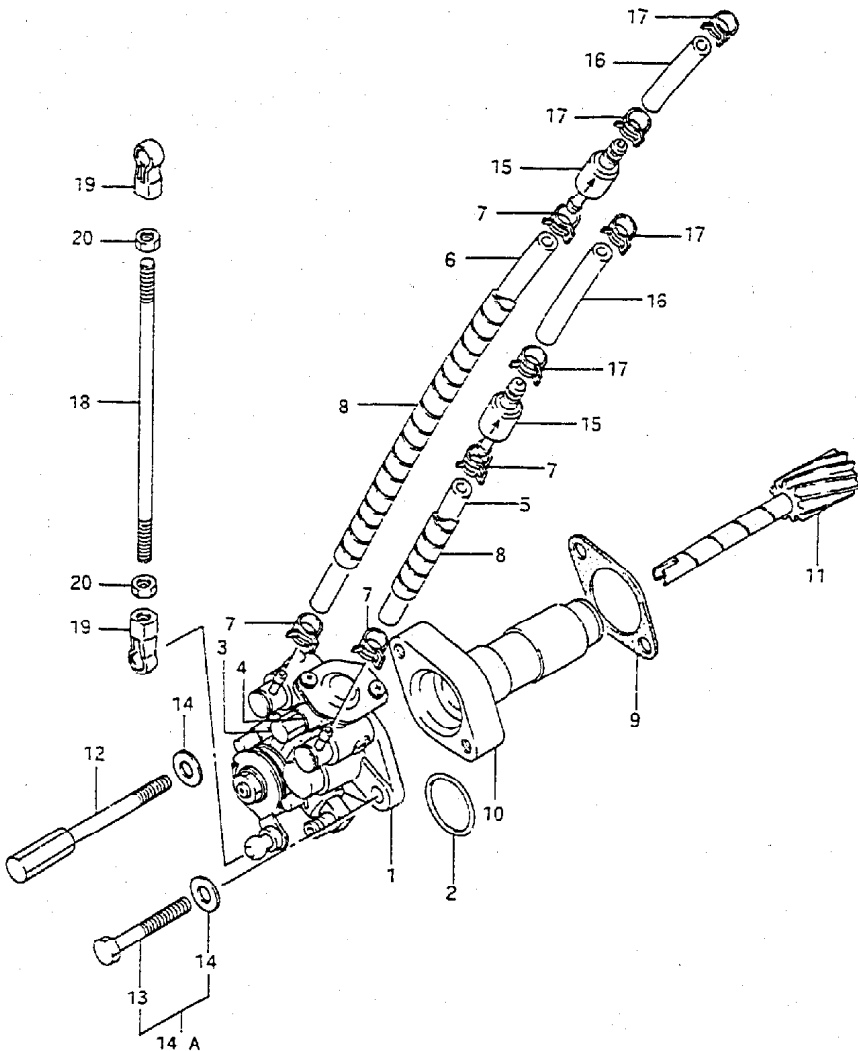


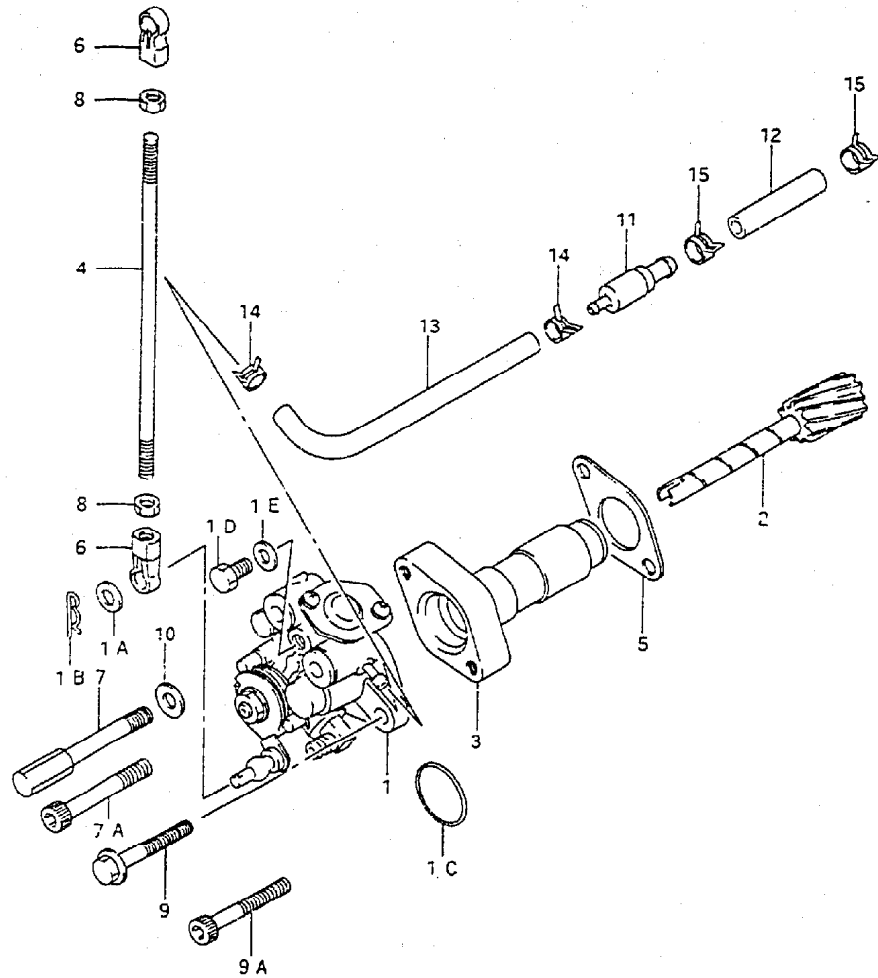
FIG. 7 ( B- 9) OIL PUMP

REF.NO.	PART NO.	DESCRIPTION	Q'TY	REMARKS
1	16100-94410	PUMP ASSY, OIL	1	
2	16198-87000	.O RING	1	
3	16191-94400	.BOLT, BLEED	1	
4	16192-94400	.GASKET, BLEED	1	
5-1	09351-25703-600	HOSE	1	L: 600→75, MODEL: 86~90
5-2	09355-25705-600	HOSE	1	L: 600→75, MODEL: 91~94
6-1	09351-25703-600	HOSE	1	L: 600→175, MODEL: 86~90
6-2	09355-25705-600	HOSE	1	L: 600→175, MODEL: 91~94
7	09401-06405	CLIP	4	
8	16911-92E20	PROTECTOR, OIL HOSE	2	
9	16731-95310	GASKET, OIL PUMP RETAINER	1	
10	16340-94410	RETAINER, OIL PUMP	1	
11	16331-94411	GEAR, OIL PUMP DRIVEN	1	
12	09119-05013	BOLT	1	
13	01107-05307	BOLT	1	
14	08322-01057	WASHER	2	
14A	01550-05307	BOLT	1	MODEL: 94
15	16710-92E01	VALVE, CHECK	2	←16710-94600
16-1	09351-50803-600	HOSE	2	L: 600→25
16-2	09352-50903-600	HOSE	2	L: 600→25, MODEL: 91~94
17-1	09401-08409	CLIP	4	MODEL: 86~90
17-2	09401-08411	CLIP	4	MODEL: 91~94
18	16411-94400	ROD, OIL PUMP CONTROL	1	
19	19131-95502	CONNECTOR	2	
20	09140-05005	NUT	2	

REFER TO FIG. 7A(B-10) FOR MODEL: 95~98

FIG.7 A

FIG.7A ( B-10) OIL PUMP (MODEL:95-98)



REF.NO.	PART NO.	DESCRIPTION	Q-TY	REMARKS
1	16100-94420	PUMP ASSY, OIL	1	
1A	13432-33100	.WASHER	1	
1B	16195-87000	.PIN	1	
1C	16198-87000	.O RING	1	
1D	16191-94410	.BOLT, BLEED	1	
1E	16192-94410	.WASHER, BLEED	1	
2	16331-94411	GEAR, OIL PUMP DRIVEN	1	
3	16340-94410	RETAINER, OIL PUMP	1	
4	16411-94400	ROD, OIL PUMP CONTROL	1	
5	16731-95310	GASKET, OIL PUMP RETAINER	1	
6	19131-95502	CONNECTOR, OIL PUMP CONTROL	2	
7	09119-05013	BOLT	1	MODEL:95
7A	07130-05407	BOLT	1	MODEL:96-98
8	09140-05005	NUT	2	
9	01550-05307	BOLT	1	MODEL:95
9A	07130-05307	BOLT	1	MODEL:96-98
10	08322-01057	WASHER	1	MODEL:95
11	16710-92E01	VALVE, CHECK OIL (SINGLE)	1	
12	09351-50803-600	HOSE, OIL (VALVE TO 3 WAY)	1	L:600-40
13	09355-25705-600	HOSE, OIL (PUMP TO VALVE)	1	L:600-130
14	09401-06405	CLIP	2	
15	09401-07403	CLIP	2	

FIG. 8

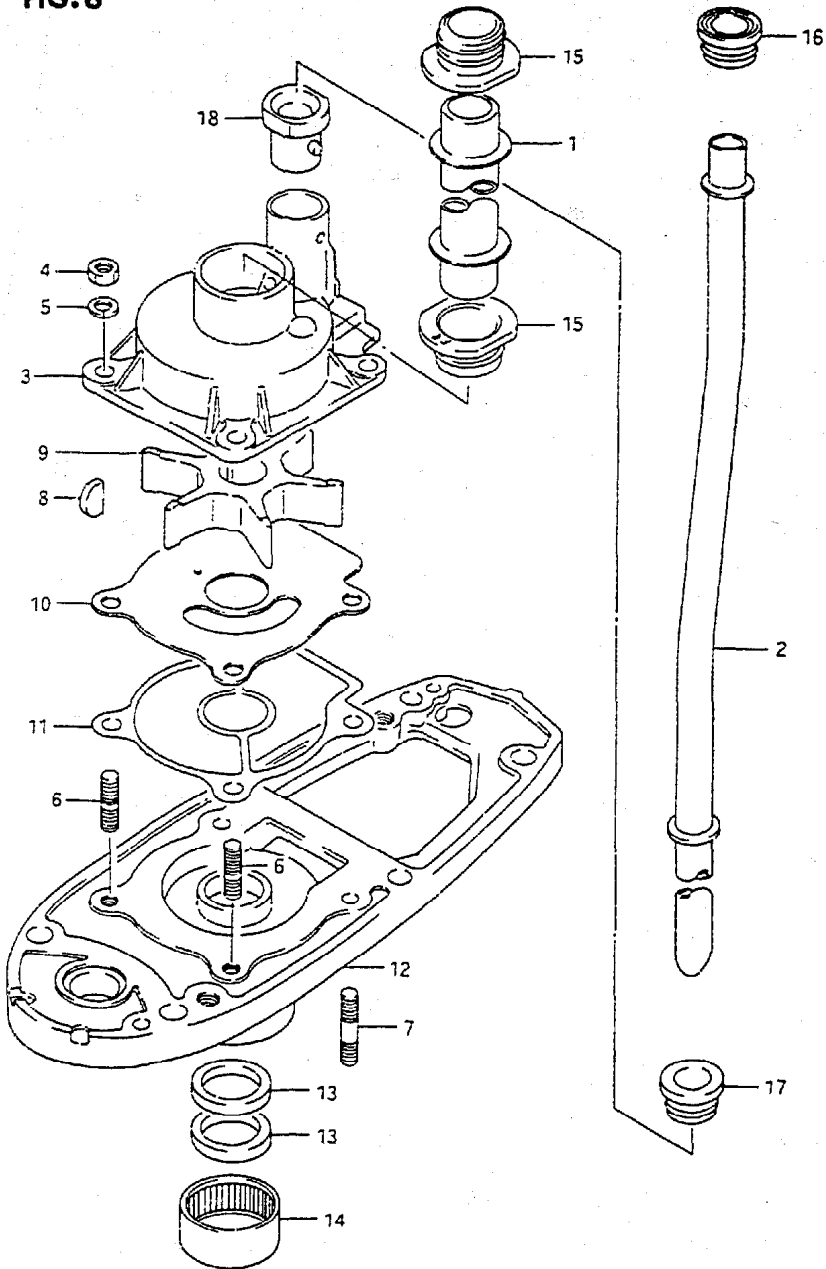


FIG. 8 ( B-11) WATER PUMP

REF. NO.	PART NO.	DESCRIPTION	Q'TY		REMARKS
1-1	17431-94411	TUBE, WATER PUMP SEAL (S)	1	L:21	
1-2	17431-94441	TUBE, WATER PUMP SEAL (L)	1	L:126	
2-1	17561-94412	TUBE, WATER (S)	1	L:366	
2-2	17561-94442	TUBE, WATER (L)	1	L:446	
3	17411-94421	CASE, WATER PUMP	1		
4	09140-06020	NUT	4		
5	09162-06006	LOCK WASHER	4		
6	09108-06060	STUD BOLT (6X18)	2		
7-1	09108-06069	STUD BOLT (6X30)	2		
7-2	09108-06061	STUD BOLT (6X35)	2		MODEL:97
8	09420-04006	KEY	1		
9	17461-96310	IMPELLER, WATER PUMP	1		
10	17471-94401	PANEL, PUMP CASE UNDER	1		
11	17472-96301	GASKET, PUMP CASE UNDER	1		
12	56130-94410-OED	HOUSING, DRIVESHAFT BEARING	1		
13	09282-17005	.OIL SEAL	2		
14	09263-25025	.BEARING (25X33X15)	1		
15	17432-96300	GROMMET, WATER PUMP SEAL TUBE	2		
16	17563-94400	GROMMET, WATER TUBE, UPPER	1		
17	17565-94400	GROMMET, WATER TUBE, MIDDLE	1		
18	17566-94400	GROMMET, WATER TUBE, LOWER	1		
19	17400-96350	WATER PUMP KIT	1		OPT

COLOR : OED (GRAY)

FIG. 9

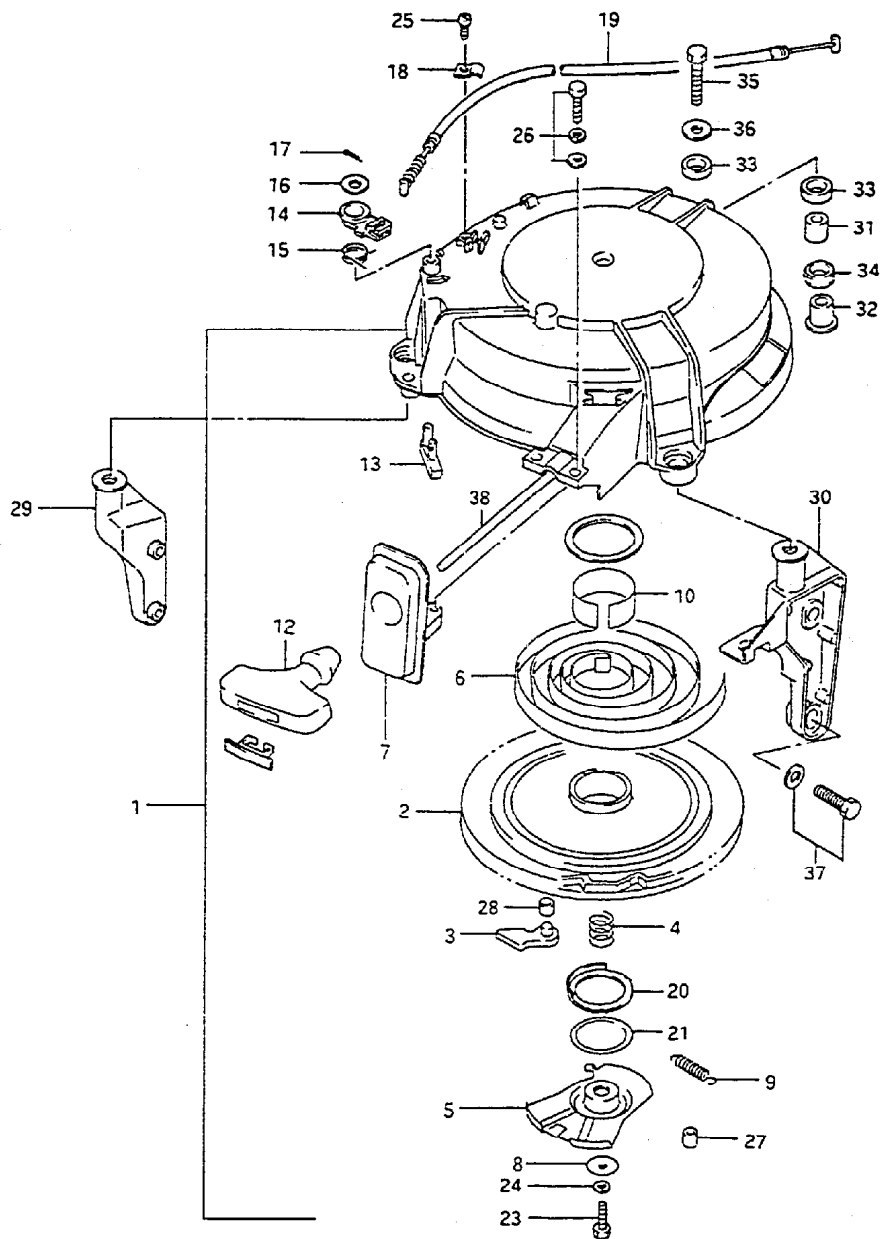


FIG. 9 ( C- 2) RECOIL STARTER (~MODEL:91)

REF.NO.	PART NO.	DESCRIPTION	Q'TY	REMARKS
1-1	18100-94411	STARTER ASSY, RECOIL	1	->18100-94430,MODEL:86-90 USED WITH 61622-95500
1-2	18100-94420	STARTER ASSY, RECOIL	1	MODEL:91,-131456 ->18100-94430
2	18121-95200	.REEL	1	MODEL:86~91
3	18130-95200	.RATCHET	1	MODEL:86~91
4	18153-95200	.SPRING, FRICTION	1	MODEL:86~91
5-1	18151-95202	.PLATE, FRICTION	1	->18150-95200 USED WITH 18155-95203 MODEL:86~90
5-2	18150-95200	.PLATE, FRICTION	1	MODEL:91
6	18142-95210	.SPRING	1	
7-1	18191-94400	.PLATE, GUIDE	1	MODEL:86~90
7-2	18191-94410	.PLATE, GUIDE	1	MODEL:91
8	18335-93000	.WASHER	1	
9	18155-95203	.SPRING, RETURN	1	MODEL:86~91
10	18124-95210	.BUSH	1	MODEL:86~91
12	18210-93002	.GRIP	1	
13	18281-96300	.REEL, STOPPER	1	
14	18282-96300	.STOPPER, ARM	1	
15	18284-96300	.SPRING	1	
16	18335-96300	.WASHER	1	
17	09204-01006	.PIN	1	
18	18291-96300	.HOLDER, CABLE	1	
19	18290-94400	.CABLE, NSI	1	
20	18157-95200	.WASHER	1	
21	18127-95200	.CIRCLIP	1	
23	01500-06207	.BOLT	1	
24	08321-01067	.LOCK WASHER	3	
25	02112-05107	.SCREW	1	
26	01580-06207	.BOLT	2	
27	18158-94400	.COLLAR, SPRING STOPPER	1	MODEL:91
28	18133-95210	.BUSH	1	

REFER TO FIG.10(C- 4) FOR MODEL:92-98

FIG. 9

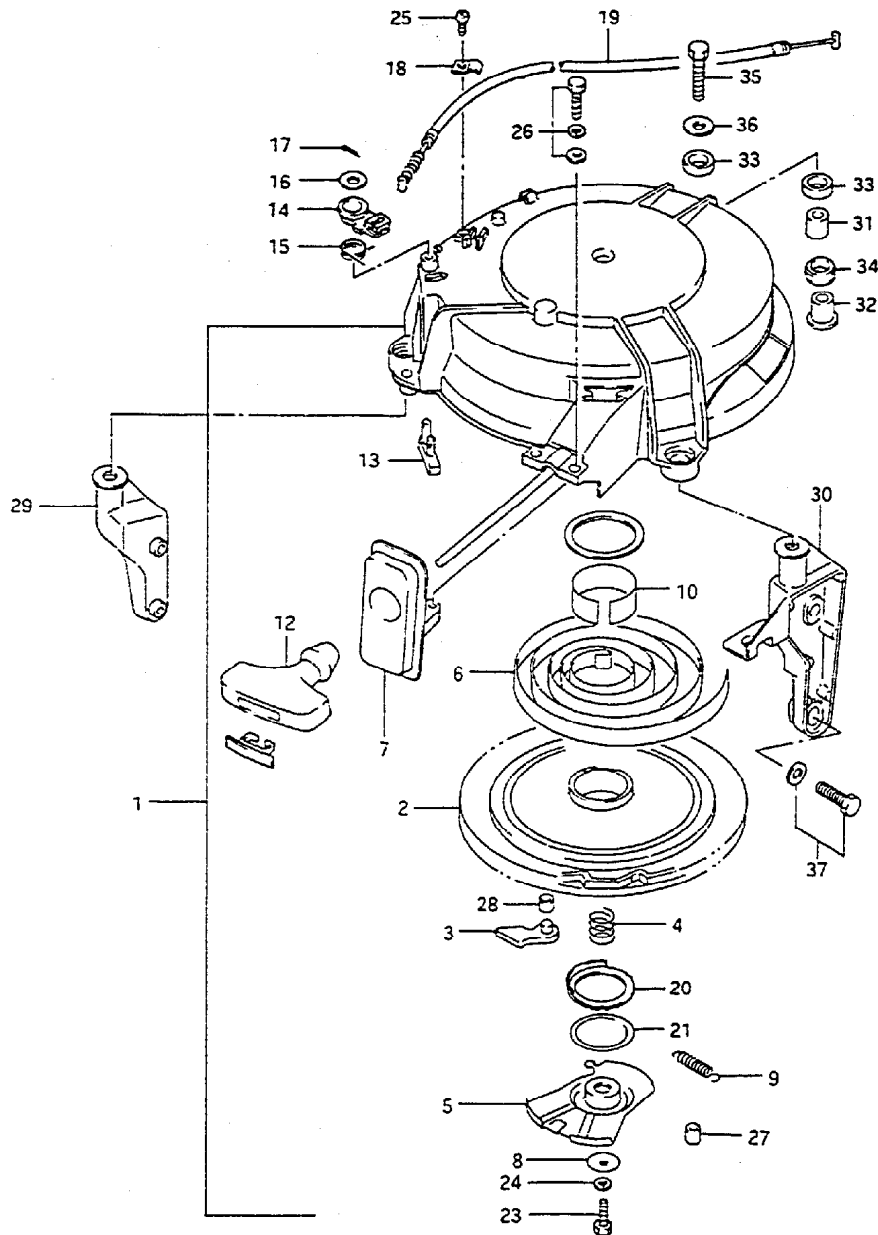


FIG. 9 ( C- 3) RECOIL STARTER (~MODEL:91)

REF.NO.	PART NO.	DESCRIPTION	Q-TY	REMARKS
29	18711-94402-OED	BRACE, RECOIL STARTER STBD	1	
30	18721-94402-OED	BRACE, RECOIL STARTER PORT	1	
31	09180-08203	SPACER (8.2X14X16.5)	3	MODEL:86~90
32	09180-08169	SPACER (8.6X12.0X17)	3	MODEL:91
33	09320-14011	CUSHION	6	MODEL:86~90
34	09320-12059	CUSHION	6	MODEL:91
35	01550-08357	BOLT	3	
36	09160-08054	WASHER (8.5X20X1.6)	3	
37	01550-06257	BOLT	4	

COLOR : OED (GRAY)

FIG. 10

FIG. 10 ( C- 4) RECOIL STARTER (MODEL:92~98)

Q'TY

REF.NO.	PART NO.	DESCRIPTION	Q'TY	REMARKS
1	18100-94430	STARTER ASSY, RECOIL	1	
2	18121-94410	.REEL	1	
3	18130-94400	.RATCHET SET	1	
4	18151-94410	.PLATE, FRICTION	1	
5	18142-95210	.SPRING, SPIRAL	1	
6	18191-94410	.GUIDE, ROPE	1	
7	18210-93002	.GRIP	1	
8	18280-94400	.NSI SET	1	
9	18290-94400	.CABLE, NSI	1	
10	01500-06207	.BOLT	1	
11	01580-06207	.BOLT	2	
13	18711-94402-OED	BRACE	1	
14	18721-94402-OED	BRACE	1	
15	09180-08169	SPACER	3	
16	09320-12059	CUSHION	6	
17	09160-08054	WASHER	3	
18	01550-08357	BOLT	3	
19	02162-06257	BOLT	4	

DT40C E3

13

C4

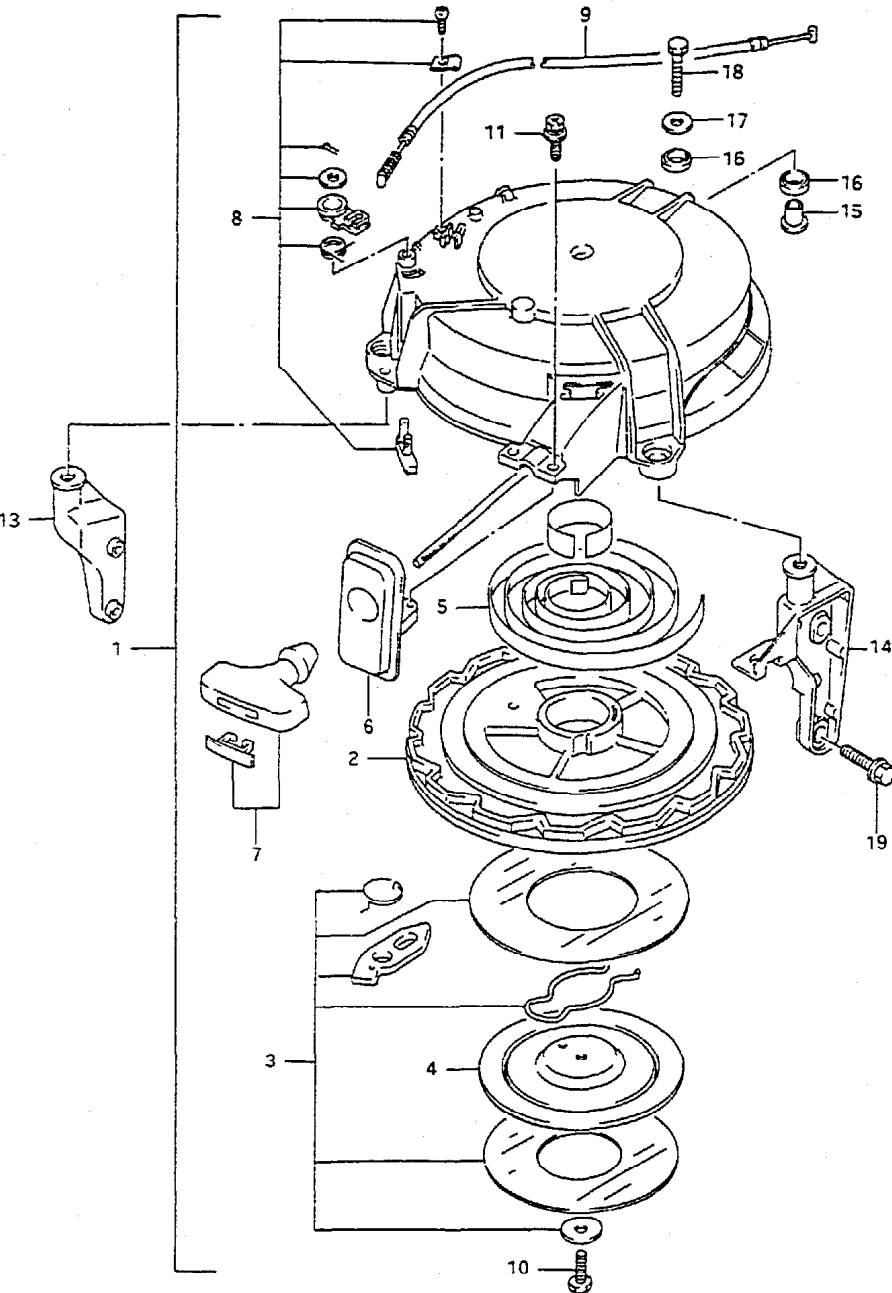


FIG. 11

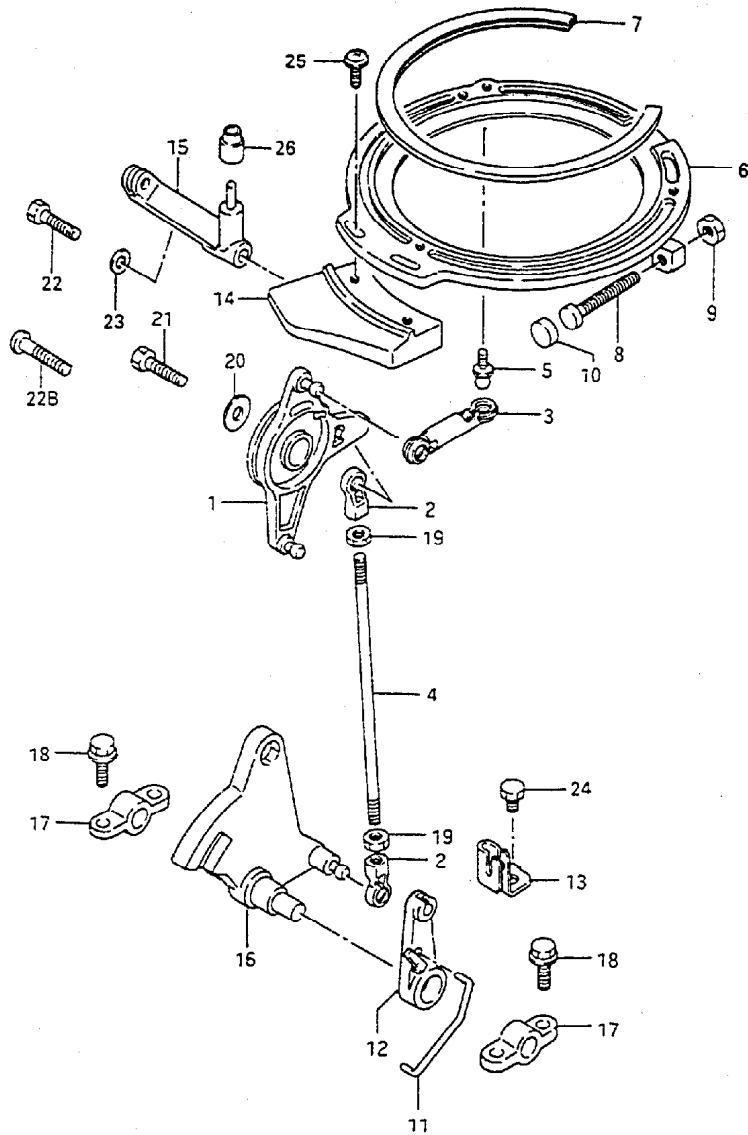


FIG. 11 ( C- 5) THROTTLE CONTROL

REF.NO.	PART NO.	DESCRIPTION	Q'TY	REMARKS
1	19121-94400	LEVER, THROTTLE CONTROL	1	
2	19131-95502	CONNECTOR	2	
3	19132-94501	CONNECTOR (LEVER TO RETAINER)	1	
4-1	19135-94400	ROD (LEVER TO LIMITER)	1	
4-2	16411-94400	ROD (LEVER TO LIMITER)	1	MODEL:98
5	09119-05010	PIVOT BALL	1	
6	19151-94400	RETAINER, STATOR	1	
7	19161-94301	SPACER, STATOR	1	
8	09139-06015	SCREW	1	
9	09140-06020	NUT	1	
10	09329-06002	CUSHION	1	
11	19654-94410	ROD (CLUTCH TO NSI LEVER)	1	
12	19851-94401	LEVER, NSI	1	
13	19861-96301	STAY, NSI CABLE	1	
14	19141-94401	CAM, THROTTLE	1	
15	19521-94400	LEVER, THROTTLE CAM FOLLOWER	1	
16	19811-94400	LIMITER THROTTLE	1	
17	19815-94400	HOLDER, THROTTLE LIMITER	2	
18	09103-06048	BOLT (6X20)	4	
19	09140-05005	NUT	2	
20-1	09160-06046	WASHER (6.5X20X1.5)	1	
20-2	09160-06036	WASHER (6.5X18X1.5)	1	MODEL:95,96
20-3	09160-06084	WASHER (6.5X18X1.6)	1	MODEL:97,98
21	02162-06127	BOLT	1	
22-1	09100-05017	BOLT (5X40)	1	
22-2	01500-05407	BOLT	1	MODEL:95-97
22B	02142-05403	SCREW	1	MODEL:98
23	08322-01057	WASHER	1	
24	02162-06127	BOLT	1	
25	02142-05207	SCREW	2	
26	61610-94400	ROLLER, FASTENER	1	



FIG.12

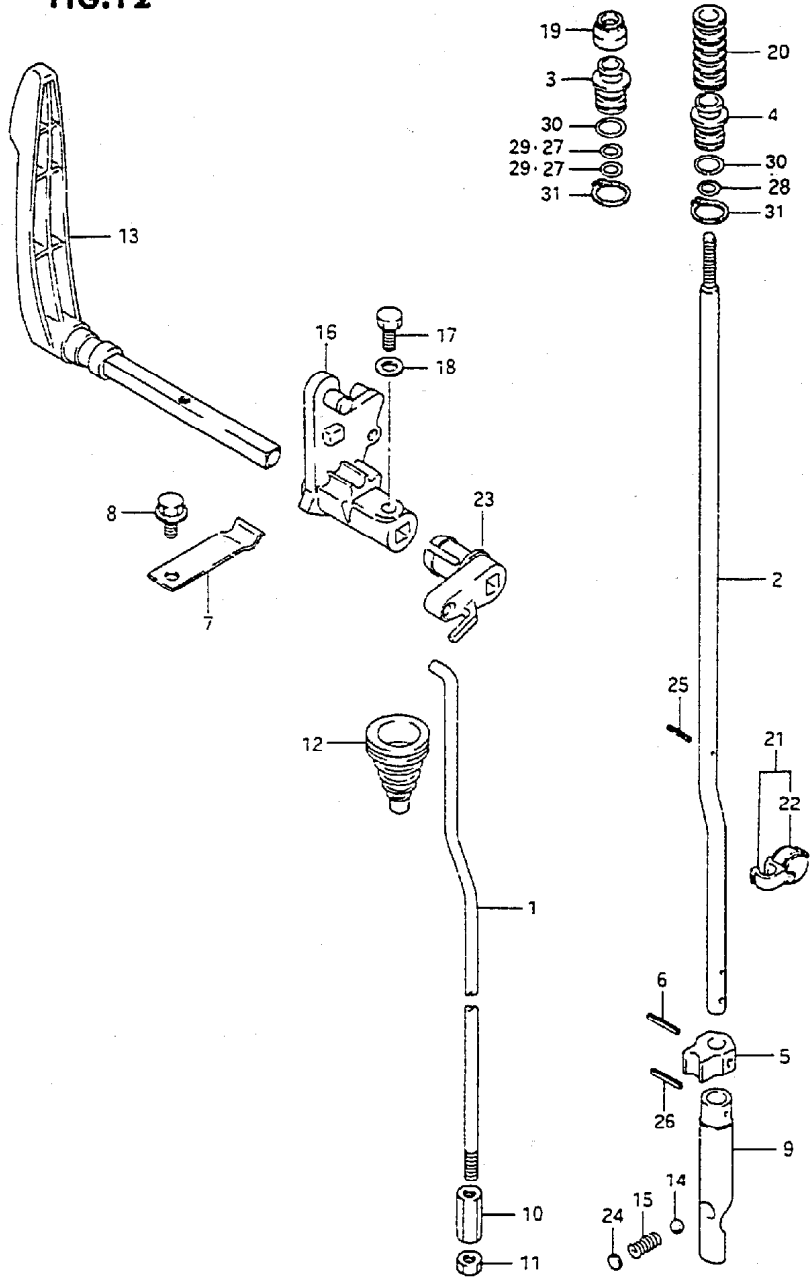


FIG.12 ( C- 6) CLUTCH

REF.NO.	PART NO.	DESCRIPTION	Q'TY	REMARKS
1-1	23111-94400	ROD, CLUTCH	1	
1-2	23111-94401	ROD, CLUTCH	1	MODEL:98
2-1	25111-94412	ROD, SHIFT (S)	1	L:270
2-2	25111-94442	ROD, SHIFT (L)	1	L:350
3	25211-94401	GUIDE, SHIFT ROD (S)	1	
4	25211-94421	GUIDE, SHIFT ROD (L)	1	~MODEL:94
5	25212-94401	GUIDE, SHIFT ROD LOWER	1	
6	09205-02013	PIN	1	
7	23213-94400	SPRING, CLUTCH NOTCH	1	
8	02162-05127	BOLT	1	
9	25311-94401	CAM SHIFT	1	
10	23311-95001	TURNBUCKLE, CLUTCH ROD	1	
11	09140-06020	NUT	1	
12	23131-94400	BOOT, CLUTCH	1	
13	21110-94401	LEVER, CLUTCH	1	
14	09260-10005	BALL	1	
15-1	09440-07033	SPRING	1	~464115
15-2	09440-07071	SPRING	1	464116~
16	21121-94400	PLATE, CLUTCH	1	
17	02162-05167	BOLT	1	
18	08322-01057	WASHER	1	
19-1	25223-94400	SEAL, SHIFT ROD (S)	1	TYPE:S ~MODEL:95
19-2	25223-94400	SEAL, SHIFT ROD (S/L)	1	TYPE:S/L MODEL:96~98
20	25222-95300	SEAL, SHIFT ROD (L)	1	TYPE:L ~MODEL:95
21	25230-94300	MAGNET SET, GEAR CASE	1	
22	25232-94300	.MAGNET	1	

DT40C E3

FIG.12

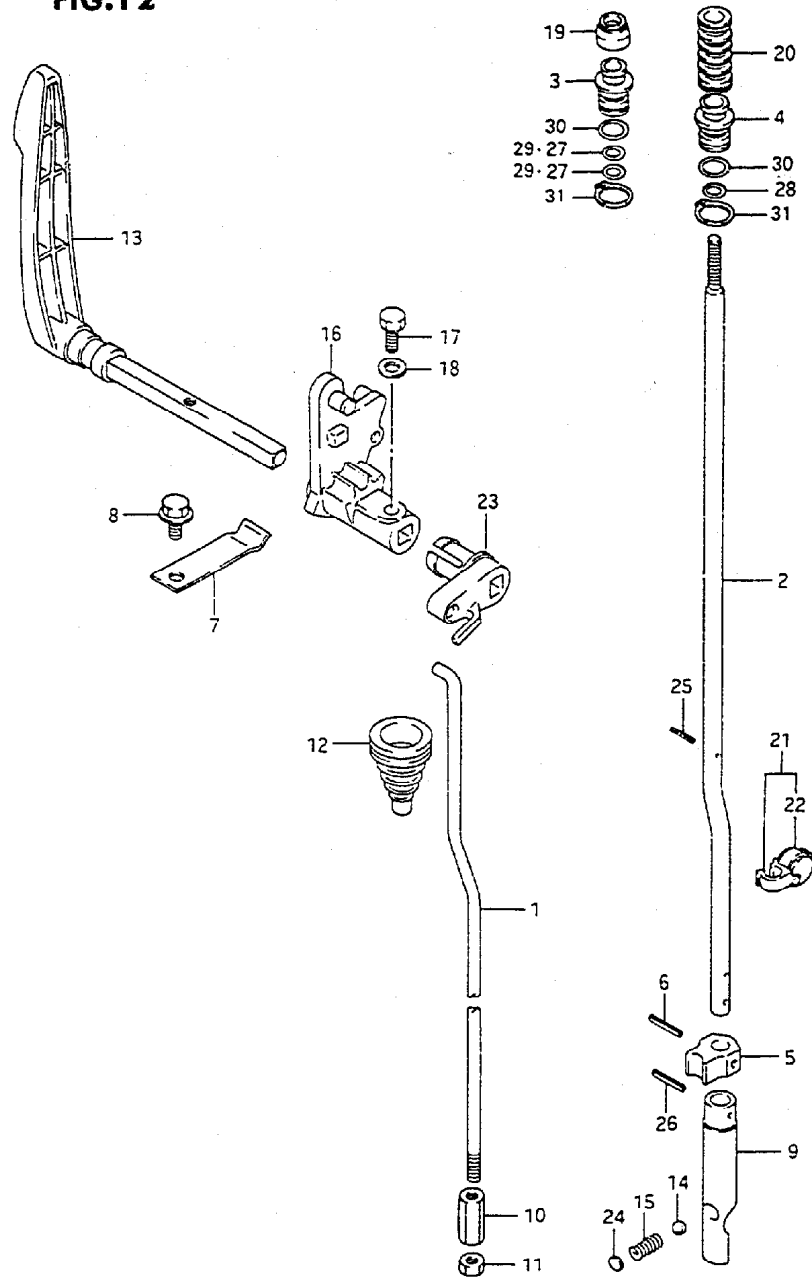
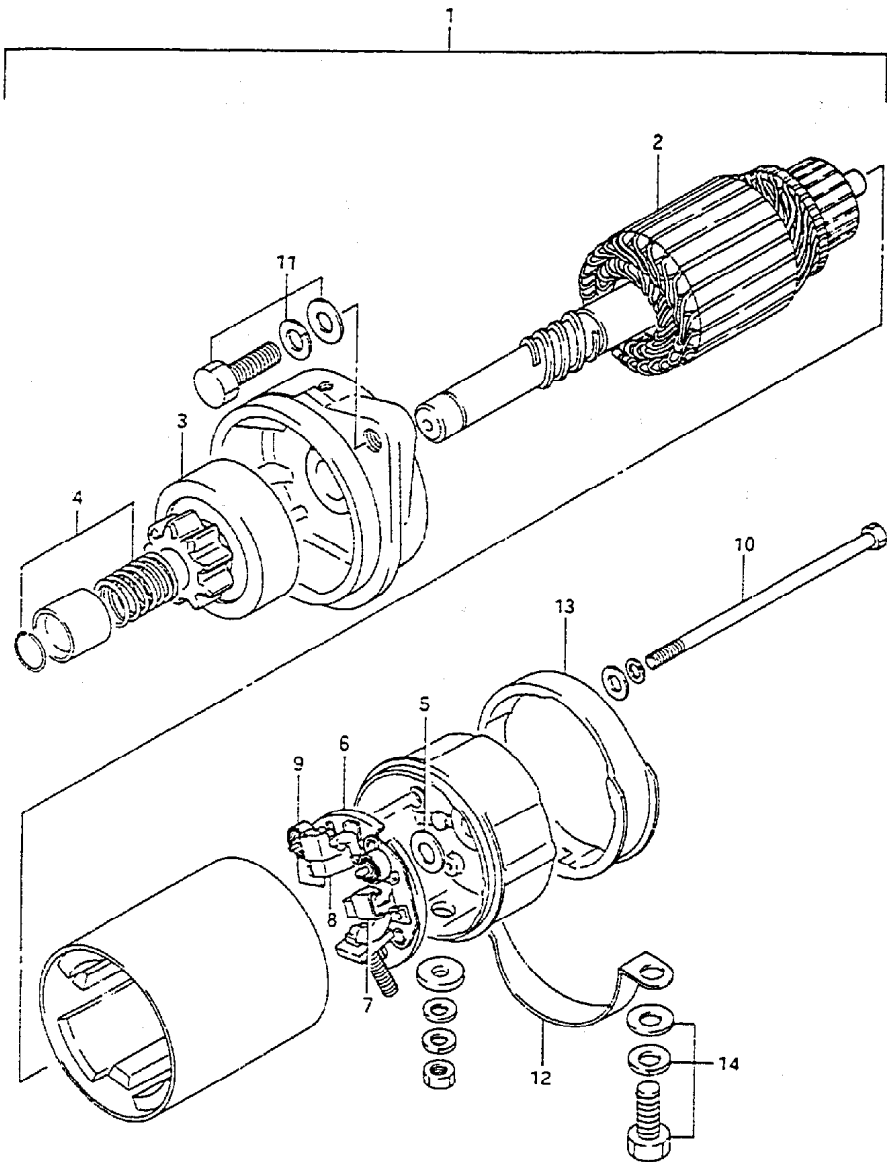


FIG.12 ( C- 7) CLUTCH

REF.NO.	PART NO.	DESCRIPTION	Q'TY	REMARKS
23	23211-94401	ARM, CLUTCH ROD	1	
24	21121-93300	PLATE, CLUTCH NOTCH	1	
25	09205-02004	SPRING PIN	1	
26	09205-03021	PIN, SPRING	1	
27	09280-08005	O RING	2	TYPE:S ~MODEL:95
28	09280-08005	O RING	1	TYPE:L ~MODEL:95
29	09280-08005	O RING	2	TYPE:S/L
30	09280-11005	O RING	1	
31	08331-31156	CIRCLIP	1	

FIG. 13

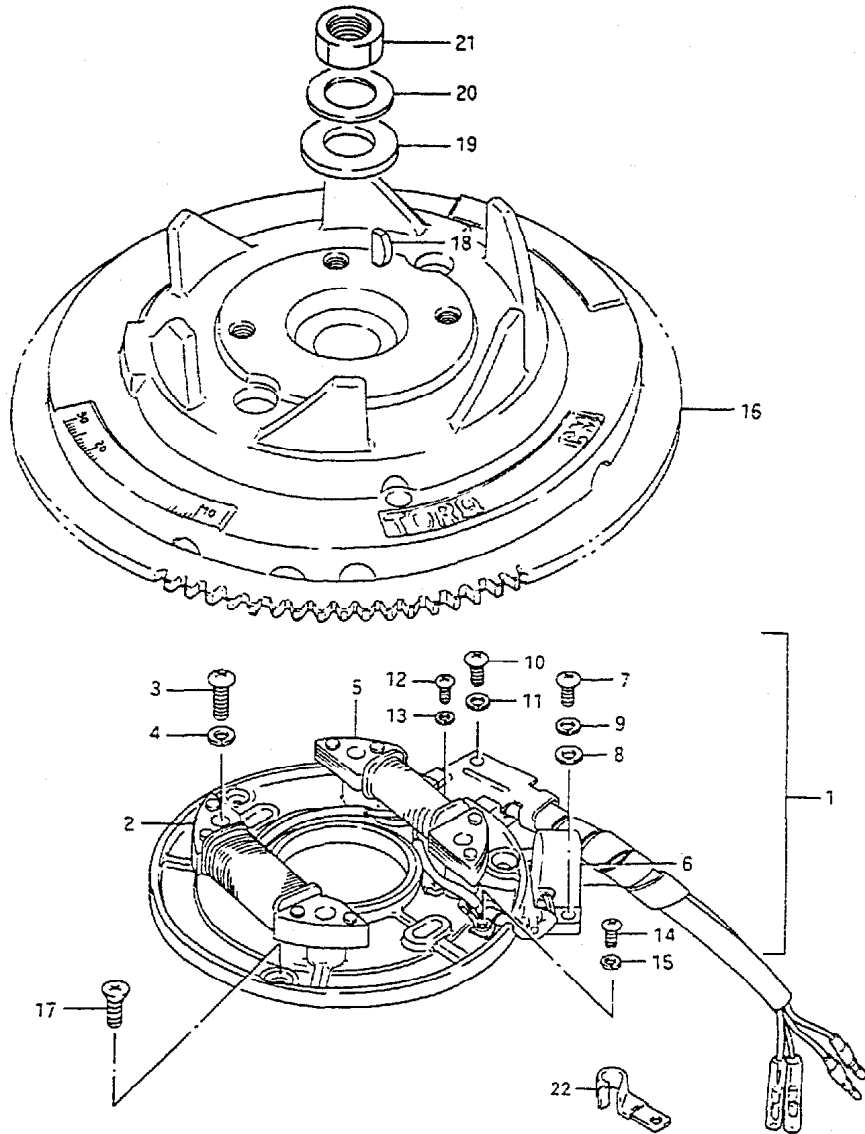
FIG. 13 ( D- 2) STARTING MOTOR



REF.NO.	PART NO.	DESCRIPTION	QTY	REMARKS
1	31100-94401	MOTOR ASSY, STARTING	1	
2	31310-96300	.ARMATURE	1	
3	31320-94400	.PINION ASSY	1	
4	31312-96300	.STOPPER SET, PINION	1	
5	31360-96300	.WASHER	1	
6	31173-96301	.HOLDER ASSY, BRUSH	1	
7	31131-96300	..BRUSH (+)	1	
8	31132-96300	..BRUSH (-)	1	
9	31135-96300	..SPRING, BRUSH	2	
10	31281-93340	.BOLT	2	
11	01580-08257	BOLT	2	
12	31912-94401	BAND, STARTING MOTOR	1	
13	31918-94401	DAMPER, LOWER	1	
14	01550-08257	BOLT	2	

FIG. 14

FIG.14 ( D- 3) MAGNETO



REF.NO.	PART NO.	DESCRIPTION	Q'TY	REMARKS
1	32101-94423	STATER ASSY	1	
2-1	32120-94400	.COIL, LIGHTING	1	ELECTRIC STARTER
2-2	32120-94410	.COIL, LIGHTING	1	MANUAL STARTER
3	02112-06257	.SCREW	4	
4	08321-01067	.LOCK WASHER	4	
5	32140-94400	.COIL, IGNITION PRIMARY	1	
6	32150-94410	.COIL, IGNITION TIMING	1	
7	02112-05107	.SCREW	2	
8	08322-01057	.WASHER	2	
9	08321-01057	.LOCK WASHER	2	
10	02112-05107	.SCREW	1	
11	08321-01057	.LOCK WASHER	1	
12	02112-04087	.SCREW	1	
13	08321-01043	.LOCK WASHER	1	
14	02112-04047	.SCREW	1	
15	08321-01043	.LOCK WASHER	1	
16-1	32102-94412	FLYWHEEL	1	ELECTRIC STARTER
16-2	32102-94402	FLYWHEEL	1	MANUAL STARTER
17	02122-05123	SCREW	3	
18	08341-31059	KEY	1	
19	09160-18011	WASHER (18.5X35X4)	1	
20	09164-18001	WASHER	1	
21	09140-18014	NUT	1	
22	09403-10312	CLAMP	1	

FIG. 15

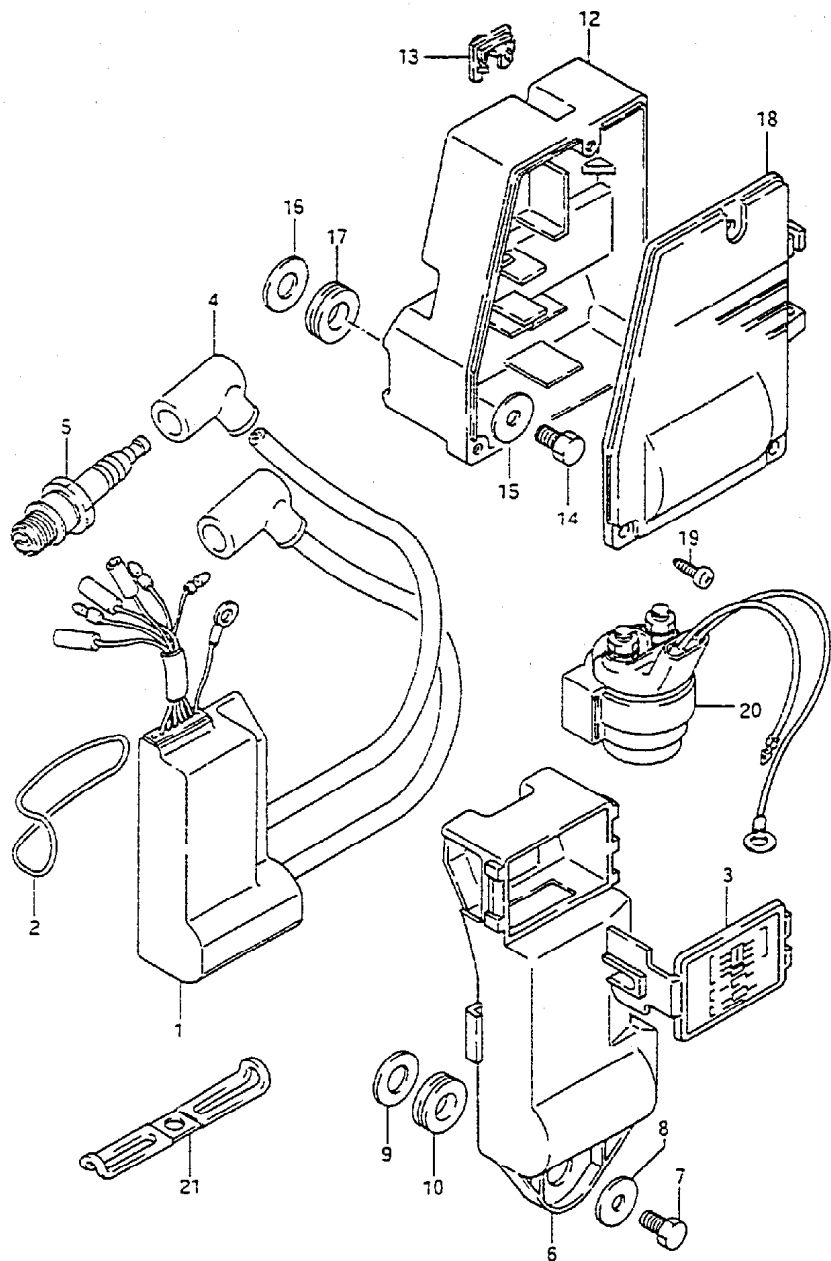


FIG. 15 ( D- 4) IGNITION (~MODEL:95)

REF.NO.	PART NO.	DESCRIPTION	Q'TY	REMARKS
1-1	32900-94401	CDI UNIT	1	~928071 ~32900-94421 USED WITH 32950-94410, 32919-94400
1-2	32900-94421	CDI UNIT	1	MODEL:90~95
2	09280-52001	O RING (D:3, ID:52.5)	1	
3	36650-94402	COVER, JUNCTION BOX	1	
4	33510-95520	CAP, SPARK PLUG	2	
5	09482-00370	SPARK PLUG (BR8HS)	2	
6	32950-94410	HOLDER, CDI/CONTROL UNIT	1	
7	01500-06127	BOLT	2	
8	09160-06054	WASHER (6.5X22X1.6)	2	
9	09160-12056	WASHER (12.0X25X4.0)	2	
10	09320-12011	CUSHION	2	
12	32890-94401	HOLDER, ELECTRIC PARTS	1	
13	32892-94400	CAP, ELECTRIC PARTS HOLDER	1	
14	09103-06049	BOLT (6X12)	2	
15	09160-06054	WASHER (6.5X22X1.6)	2	
16	09160-12056	WASHER (12.5X26X1.6)	2	
17	09320-12011	CUSHION	2	
18	32891-94401	COVER, ELECTRIC PARTS HOLDER	1	
19	03212-05123	SCREW	3	
20	31800-94401	RELAY ASSY, STARTING MOTOR	1	
21	32919-94400	CLAMP	1	MODEL:90~95

FIG. 15A(D-5) FOR MODEL:96-98

FIG. 15 A

FIG.15A( D- 5) IGNITION (MODEL:96-98)

Q'TY

REF.NO.	PART NO.	DESCRIPTION	Q'TY	REMARKS
1	32900-94460	CDI UNIT	1	
2	01550-06127	BOLT	2	
3	09404-06432	CLAMP	2	
4	38423-95510	TUBE	1	L:150→100
5	36650-94402	COVER, JUNCTION BOX	1	~MODEL:95
6	33510-95520	CAP, SPARK PLUG	2	
7	09482-00370	SPARK PLUG (BR8HS)	2	
8	32950-94420	HOLDER, CDI/CONTROL UNIT	1	
9	01550-06127	BOLT	2	
10	09160-06084	WASHER (6.5X18X1.6)	2	
11-1	09160-12056	WASHER (12.5X26X1.6)	2	
11-2	09160-12089	WASHER (12.5X26X1.6)	2	MODEL:98
12	09320-12011	CUSHION	2	
13	32890-94401	HOLDER, ELECTRIC PARTS	1	
14	09103-06049	BOLT (6X12)	2	
15	09160-06084	WASHER (6.5X18X1.6)	2	
16-1	09160-12056	WASHER (12.5X26X1.6)	2	
16-2	09160-12089	WASHER (12.5X26X1.6)	2	MODEL:98
17	09320-12011	CUSHION	2	
18	32891-94401	COVER, ELECTRIC PARTS HOLDER	1	
19	03212-05123	SCREW	3	
20	31800-94401	RELAY ASSY, STARTING MOTOR	1	
21	32919-94400	CLAMP, HIGH TENSION CORD	1	
22	33410-94400	COIL, IGNITION	1	
23	01550-06207	BOLT	2	
24	09407-14407	CLAMP	2	

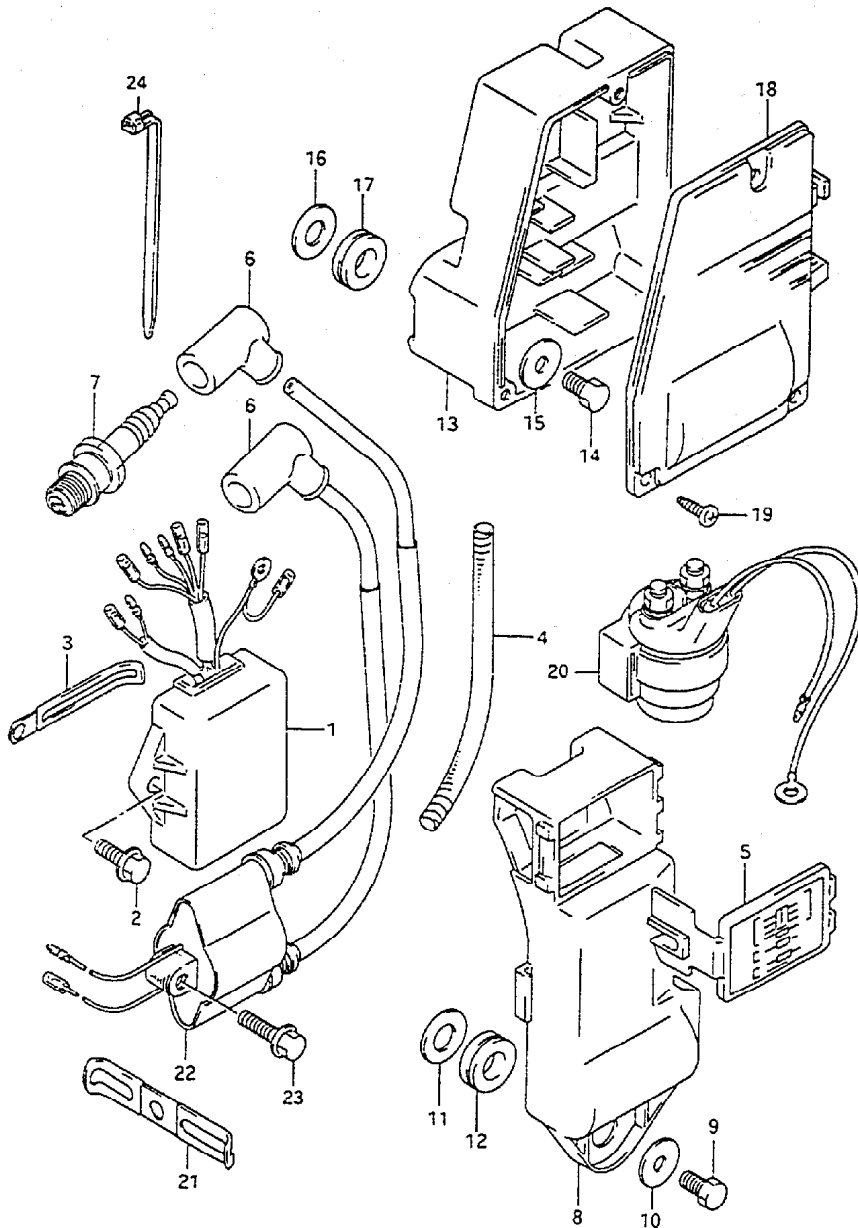
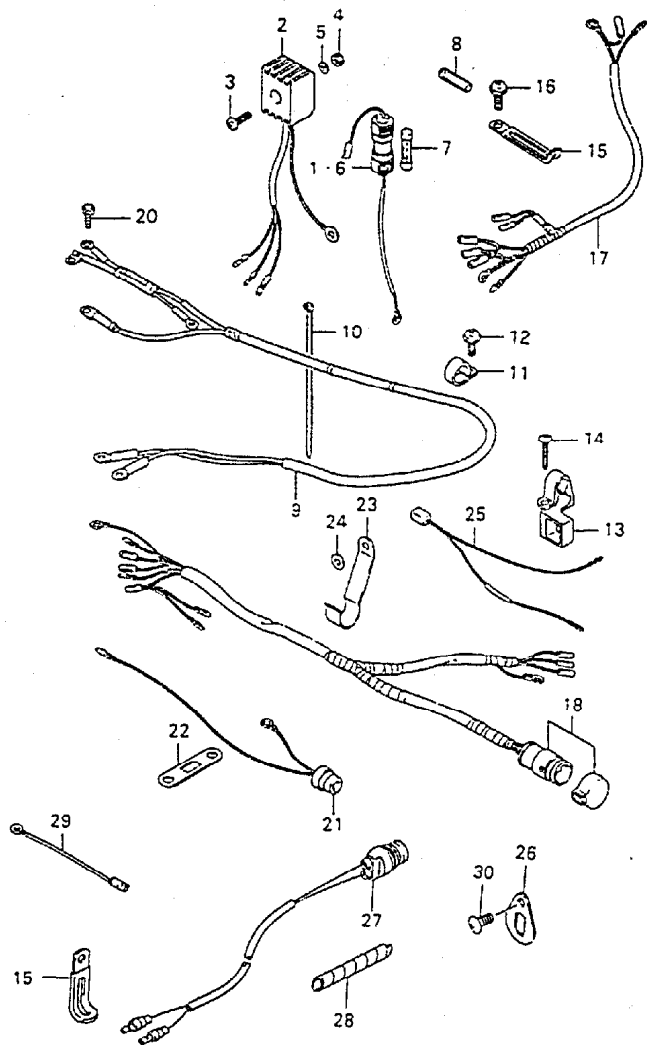


FIG. 16

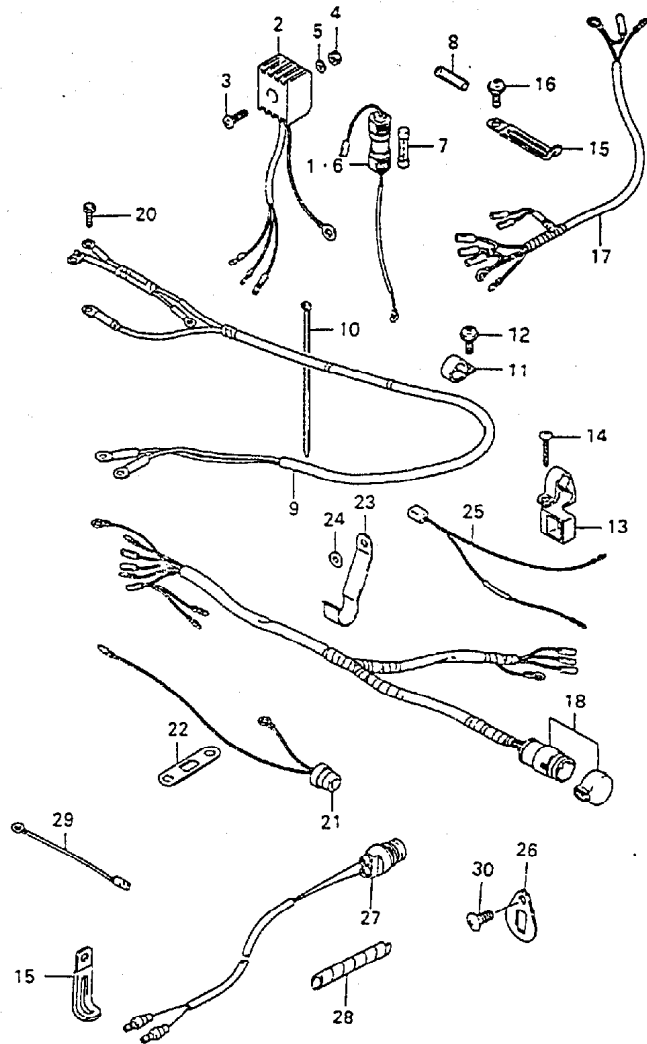
FIG.16 ( D- 6) ELECTRICAL (1)



REF.NO.	PART NO.	DESCRIPTION	Q'TY	REMARKS
1	36740-95253	CASE ASSY, FUSE	1	MANUAL STARTER
2	32800-95001	RECTIFIER ASSY	1	ELECTRIC STARTER
3	02142-05253	SCREW	1	ELECTRIC STARTER
4	08310-00053	NUT	1	ELECTRIC STARTER
5	08321-01057	LOCK WASHER	1	ELECTRIC STARTER
6	36740-93901	FUSE CASE ASSY	1	ELECTRIC STARTER
7	09481-20001	FUSE, 20A	1	ELECTRIC STARTER
8	37132-93700	CONNECTOR, WIRE	1	ELECTRIC STARTER
9	33810-94411	CABLE ASSY, STARTER	1	ELECTRIC STARTER
10	09407-25402	CLAMP	1	
11	09403-14204	PROTECTOR, CABLE	1	ELECTRIC STARTER
12	02142-06127	SCREW	1	ELECTRIC STARTER
13-1	33816-94400	CLAMP, CABLE	1	ELECTRIC STARTER
13-2	33816-96300	CLAMP, CABLE	1	MODEL:95~98
14	03242-06253	SCREW	1	ELECTRIC STARTER
15	09404-06432	CLAMP (L:65)	2	
16	02142-06127	SCREW	1	MANUAL STARTER
17-1	36899-94420	LEAD, OIL FLOW ETC	1	MANUAL STARTER
17-2	36899-94440	LEAD, OIL FLOW ETC	1	MODEL:90~98
18-1	36630-94422	HARNESS ASSY, WIRING,REMOCON	1	DT40TC,40RC ELECTRIC STARTFR MODEL:86~88
18-2	36630-94440	HARNESS ASSY, WIRING,REMOCON	1	TC,RC,MODEL:89~92
20	02152-06167	BOLT, STG MOTOR CABLE GROUND	1	
21	34850-94700	SWITCH, HEAT	1	TC,RC,ELECTRIC STARTER
22	34853-94400	SUPPORTER, HEAT SWITCH	1	TC,RC,ELECTRIC STARTER

FIG. 16

FIG. 16 ( D- 7) ELECTRICAL (1)



REF.NO.	PART NO.	DESCRIPTION	Q'TY	REMARKS
23	36791-94504	HOLDER, CONNECTOR	1	TC, RC
24	08322-01067	WASHER	1	TC, RC
25	32815-94400	DIODE, HEAT SWITCH	1	DT40TC, 40RC
26	34853-94700	SUPPORTER	1	MODEL:93~98
27	34850-94600	SWITCH, HEAT	1	MODEL:93~98
28	38423-95510	TUBE	1	L:150~50
29	37801-98300	LEAD, HEAT SNSR GROUND	1	MODEL:93~98
30	09125-06069	SCREW	1	MODEL:93~98



FIG. 17

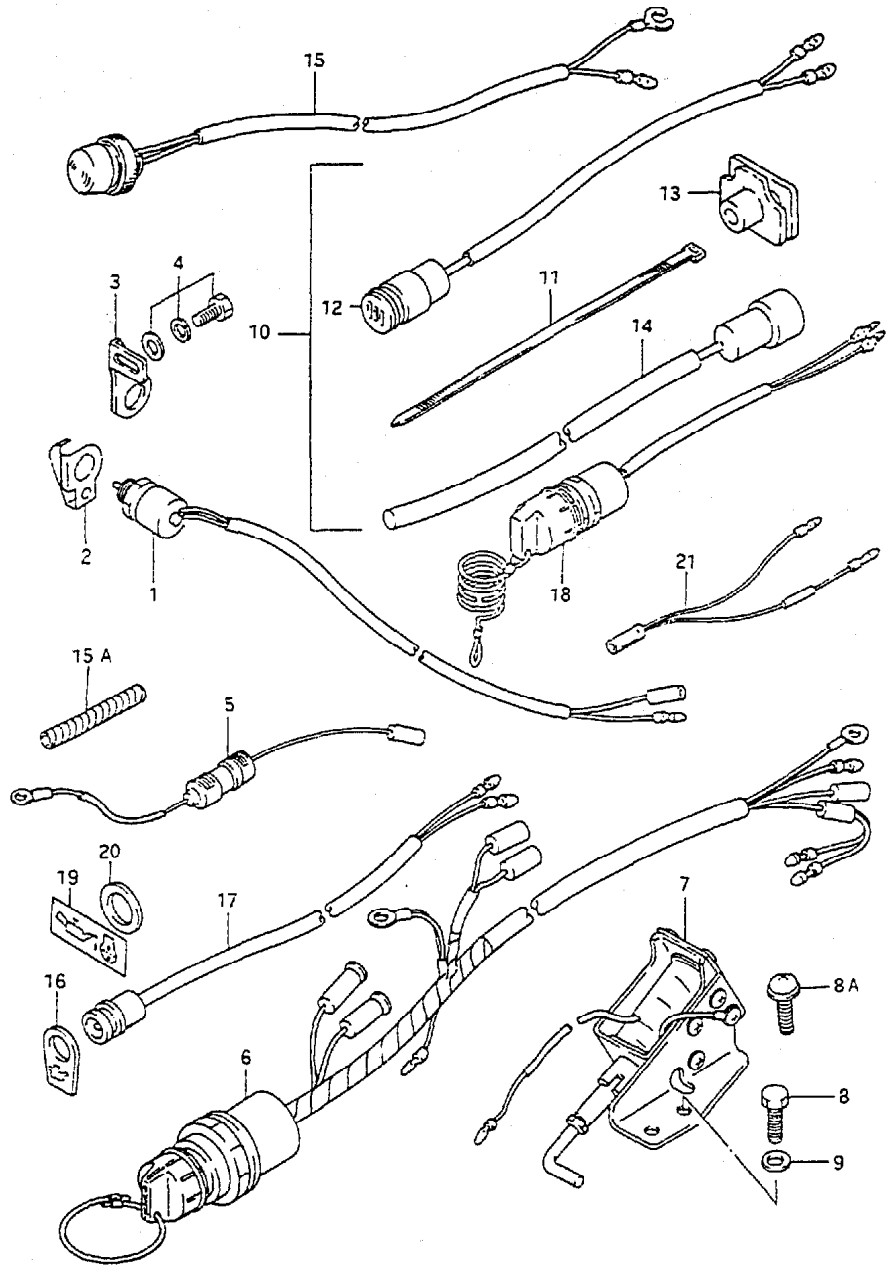


FIG.17 ( D- 8) ELECTRICAL (2)

REF.NO.	PART NO.	DESCRIPTION	Q'TY	REMARKS
1	37721-94403	SWITCH ASSY, NEUTRAL	1	ELECTRIC STARTER
2	37725-94302	ACTUATOR, NEUTRAL SWITCH	1	ELECTRIC STARTER
3	37726-94402	BRACKET, NEUTRAL SWITCH	1	ELECTRIC STARTER
4	01580-06167	BOLT	1	ELECTRIC STARTER
5	36895-94400	LEAD, ENGINE GROUND	1	
6	37110-94X50	SWITCH ASSY, IGNITION	1	ELECTRIC STARTER,MODEL:86~92
7	38600-94400	SOLENOID ASSY, CHOKE	1	STD:DT40RC,TC OPT:DT40C
8-1	01500-05107	BOLT (5X10)	2	~MODEL:93
8-2	01570-05107	BOLT	2	MODEL:94~96
8A	02112-35127	SCREW	2	MODEL:97,98
9	09162-05002	LOCK WASHER	2	~MODEL:93
10	39600-93910	CONCENT SET	1	OPT:MANUAL STARTER
11	09407-25402	.CLAMP	1	OPT:MANUAL STARTER
12	39601-95000	.RECEPTACLE ASSY, LIGHTING	1	OPT:MANUAL STARTER
13	39603-94400	.GROMMET, LIGHT CABLE	1	OPT:MANUAL STARTER
14	39602-93900	.PLUG ASSY, LAMP CORD	1	OPT:MANUAL STARTER
15	37800-93954	SWITCH ASSY, STOP	1	MANUAL STARTER
15A	33446-98E20	TUBE, SW WIRE	1	
16	36365-94401	INDICATOR	1	
17	36360-94400	LAMP ASSY, OIL WARNING	1	
18	37820-94460	SWITCH ASSY, EMERGENCY	1	~MODEL:92
19	36367-95D10-064	LABEL, OIL (WHITE)	1	
20	09320-11004	GASKET, OIL LAMP	1	
21	36850-95500	LEAD, OIL FLOW & BUZZER	1	DT40RC,40TC

REFER TO FIG.18(D-9) FOR MODEL:93~98

FIG. 18

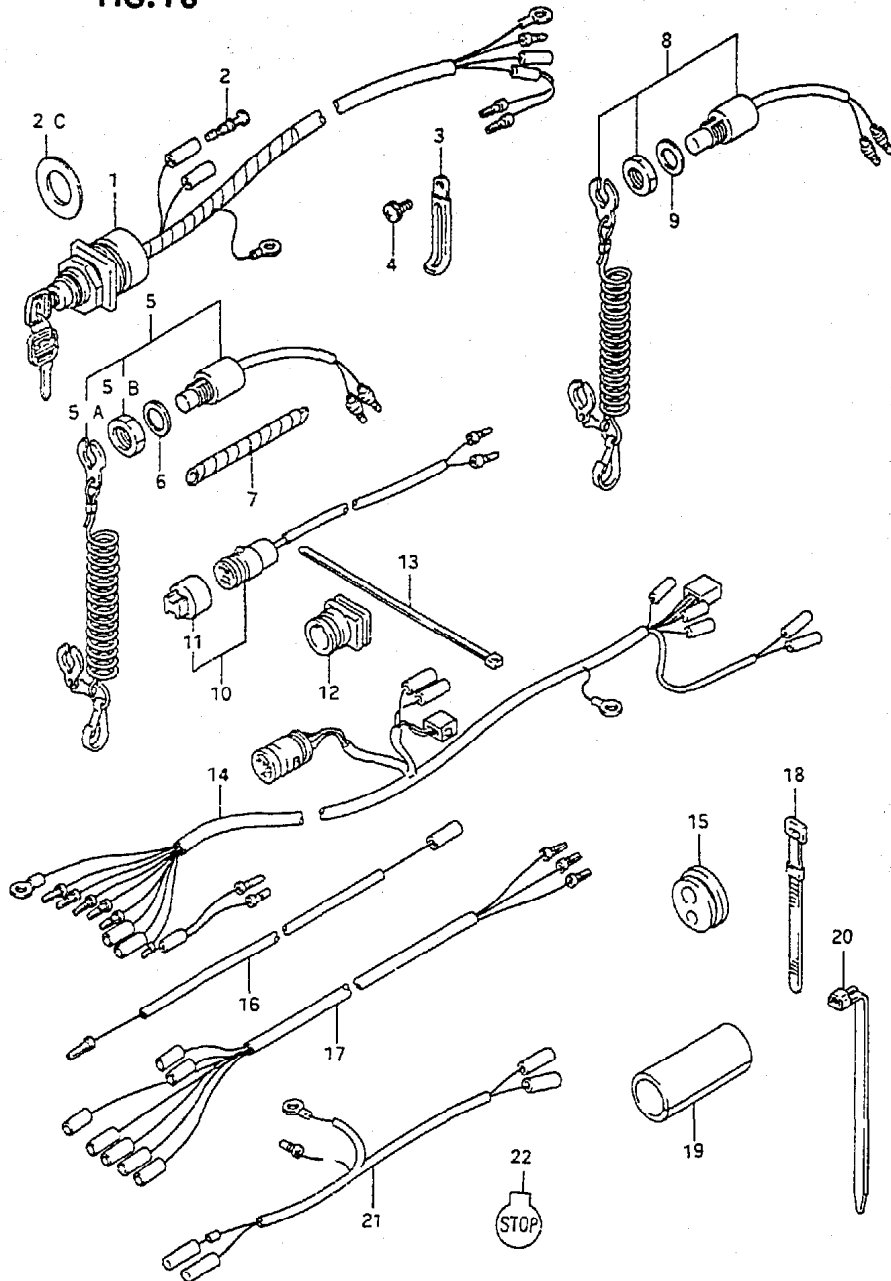


FIG. 18 ( D- 9) ELECTRICAL (MODEL:93~98)

REF.NO.	PART NO.	DESCRIPTION	Q'TY	REMARKS
1	37110-94461	SWITCH ASSY, IGNITION	1	
2	36615-96300	.TERMINAL	2	
2C	09160-25069	WASHER	1	
3	09404-06432	CLAMP	1	
4	02142-06127	SCREW	1	
5	37820-92E00	SWITCH ASSY, EMERGENCY	1	
5A	37823-92E00	.PLATE, LOCK	1	
5B	37826-92E00	.NUT	1	
6	09160-12067	WASHER	1	
7	38423-95510	TUBE (L:150)	1	L:150→100
8	37830-95D00	SWITCH ASSY, EMERGENCY & STOP	1	MANUAL STARTER
9	09160-12067	WASHER	1	MANUAL STARTER
10	39601-95D00	RECEPTACLE ASSY, LIGHTING	1	MANUAL STARTER
11	36634-93910	.CAP	1	MANUAL STARTER
12	39603-94400	GROMMET, RECEPTACLE	1	MANUAL STARTER
13	09407-25402	CLAMP, RECEPTACLE GROMMET	1	MANUAL STARTER
14	36610-94400	HARNESS ASSY, WIRING	1	
15	36612-94421	GROMMET	1	
16	36891-94400	LEAD, REV LIMIT	1	
17	36630-92E00	WIRE, INSTRUMENT	1	
18	09407-12402	CLAMP	1	
19	33834-87E00	TUBE, HARNESS PROTECTOR	1	MANUAL STARTER ~MODEL:95
20	09407-18402	CLAMP, PROTECTOR TUBE	1	MANUAL STARTER ~MODEL:95
21	36893-94410	WIRE, IGN SW EXTENSION	1	ELECTRIC STARTER
22	37835-95D00	LABEL, STOP	1	

FIG. 19

FIG.19 ( D-10) ELECTRICAL (DT40TC)

Q'TY

REMARKS

REF.NO.	PART NO.	DESCRIPTION	Q'TY	REMARKS
1-1	38410-94540	TRIM RELAY, UP	1	MODEL:86-89
1-2	38410-94550	TRIM RELAY, UP	1	MODEL:90-98
2-1	38410-94540	TRIM RELAY, DN	1	MODEL:86-89
2-2	38410-94550	TRIM RELAY, DN	1	MODEL:90-98
3	38412-94401	BRACKET, PT RELAY	1	
4	09100-08219	BOLT	1	
5	09140-08016	NUT	1	
6	09160-08082	WASHER	1	
7	09162-08007	LOCK WASHER	1	
8-1	38423-95510	TUBE (L:150)	1	L:150-100
8-2	38423-95510	TUBE (L:150)	1	L:150-50
9	36645-94400	LEAD, RELAY CONTROL	1	MODEL:86,87
10	36645-94410	LEAD, RELAY CONTROL	1	MODEL:88-98
11	33831-94702	CABLE ASSY, PT RELAY	1	MODEL:86-98
12	33832-94400	CABLE ASSY, PT RELAY	1	MODEL:90-98
13	01570-06127	BOLT	1	
14	08310-00067	NUT	1	
15	09403-12308	CLAMP	1	
16	09100-06106	BOLT	1	
17	09160-06082	WASHER	1	
18	09404-06432	CLAMP	1	MODEL:94-98

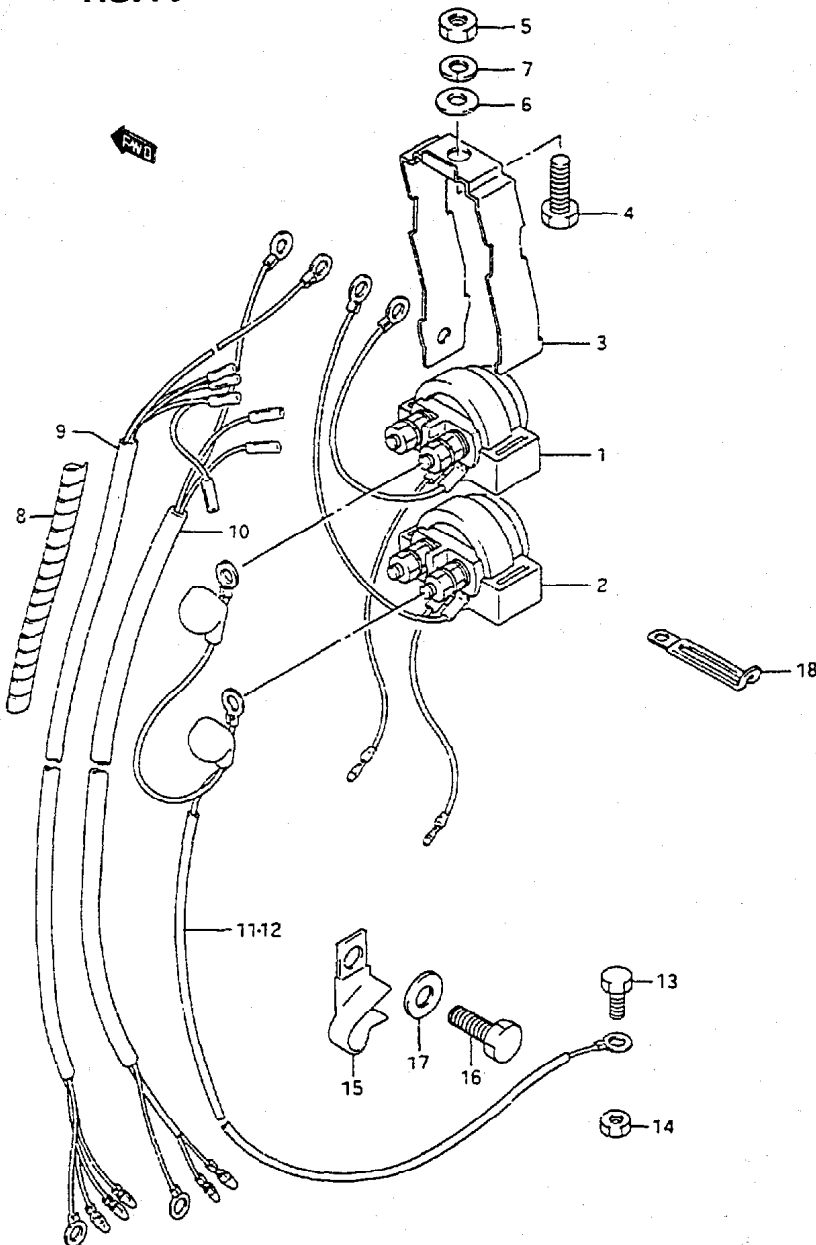
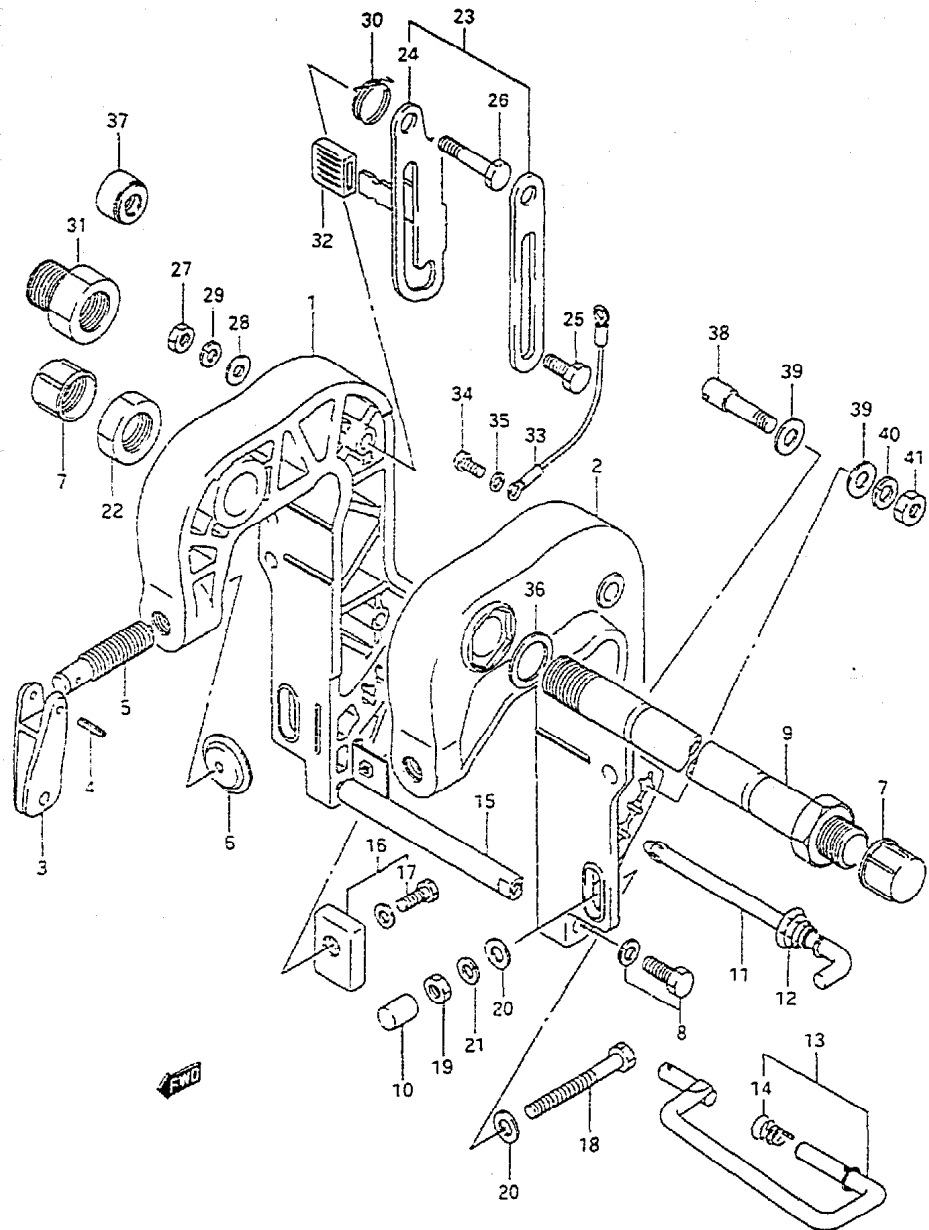


FIG. 20

FIG. 20 (E-2) CLAMP BRACKET (C)

QTY

REMARKS



REF. NO.	PART NO.	DESCRIPTION	QTY	REMARKS
1	41110-94421-OED	BRACKET, CLAMP STBD (GRAY)	1	
2-1	41120-94430-OED	BRACKET, CLAMP PORT (GRAY)	1	
2-2	41120-94441-OED	BRACKET, CLAMP PORT (GRAY)	1	MODEL:98
3	41212-93000-OED	HANDLE, CLAMP (GRAY)	2	
4	09205-06007	SPRING PIN	2	
5	41211-95250	SCREW, CLAMP	2	
6	41213-98100	PLATE, CLAMP	2	
7	41151-94500	CAP, CLAMP BRACKET SHAFT	2	
8	09117-08045	BOLT (8X35)	2	
9	41130-94331	SHAFT, CLAMP BRACKET	1	
10	41153-96300	CAP, TRANSOM BOLT	2	
11-1	45420-94311	PIN, TILT LOCK	1	DT40TC, ~610943
11-2	45420-94311	PIN, TILT LOCK	1	DT40C, 40RC, MODEL:88-98
12	09441-17002	.SPRING	1	
13	45420-94401	PIN, TILT LOCK	1	DT40TC, 510944- MODEL:86-93
14	09441-17003	.SPRING	1	
15	41310-94400	ROD, CLAMP BRACKET LOWER	1	
16	55320-95310	ZINC SET, PROTECTION	1	
17	09116-06092	.BOLT (6X16)	1	
18	09100-08239	BOLT (8X90)	2	
19	09140-08016	NUT	2	
20	09160-08081	WASHER	4	
21	09162-08007	LOCK WASHER	2	
22	09159-22003	NUT	1	
23	41200-94400	ARM ASSY, TILT	1	
24	41223-94400	.ARM, TILT STOP	1	

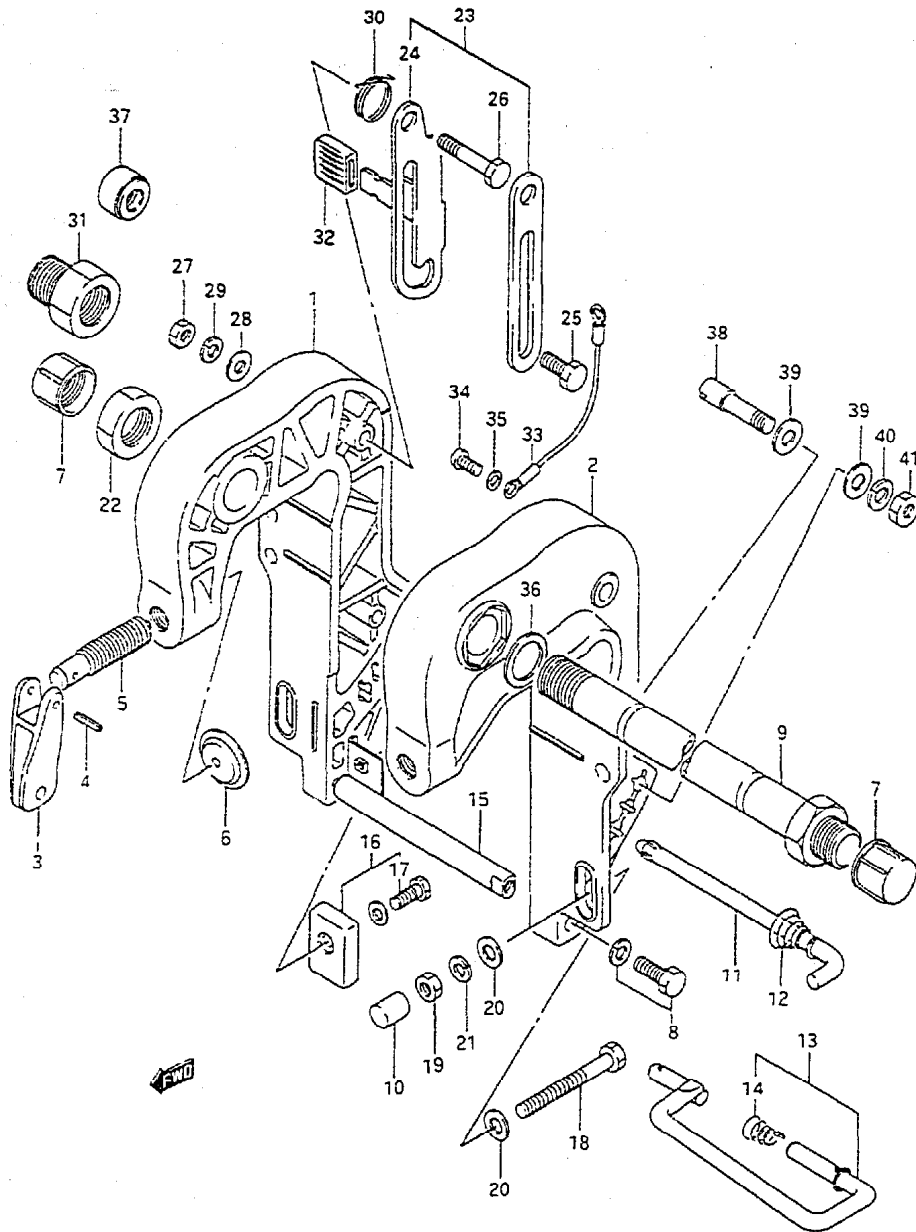
(\*DT40TC ~MODEL:93  
DT40C, 40RC ~MODEL:98

REFER TO FIG. 20A(E-4) FOR DT40TC MODEL:94~98

FIG. 20

FIG.20 ( E- 3) CLAMP BRACKET (\*)

Q'TY



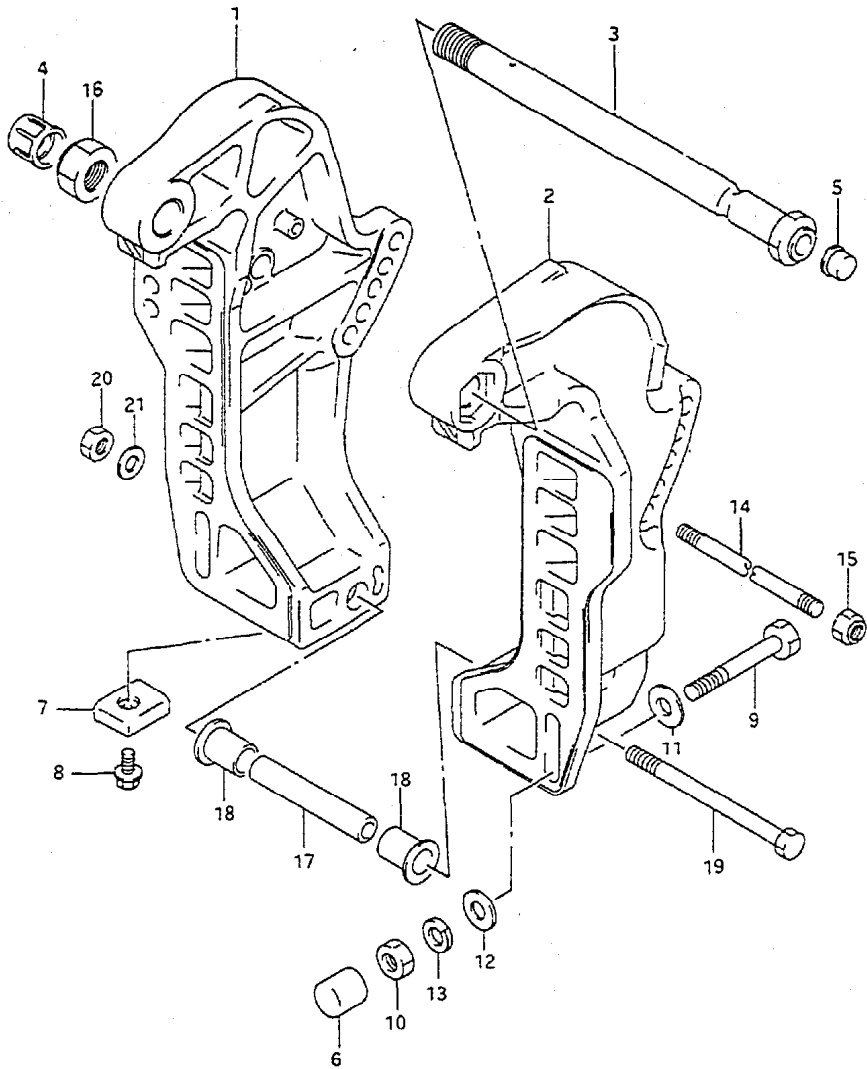
REF.NO.	PART NO.	DESCRIPTION	Q'TY	REMARKS
25	09111-10032	BOLT	2	
26	09111-10033	BOLT	2	
27	09140-10031	NUT	2	
28	09160-10082	WASHER	2	
29	09162-10005	LOCK WASHER	2	
30	09448-29009	SPRING	1	
31	41141-94300	ATTACHMENT, STEERING CABLE	1	OPT
32	41225-94400	RUBBER, TILT LOCK	1	
33	36894-95201	LEAD	1	
34	09125-05050	SCREW	2	
35	09161-05114	WASHER	2	+09161-05014
36	09160-22033	WASHER	1	
37-1	41161-94400	SEAL, STEERING CABLE	1	OPT
37-2	41161-94400	SEAL, STEERING CABLE	1	STD:DT40TC,40RC
38	48211-94400	PIN, TILT LOWER LOCK	2	DT40TC ~MODEL:94
39	09160-10098	WASHER	4	DT40TC
40	09162-10005	LOCK WASHER	2	DT40TC
41	09140-10032	NUT	2	DT40TC

DT40C E3

27

FIG. 20A

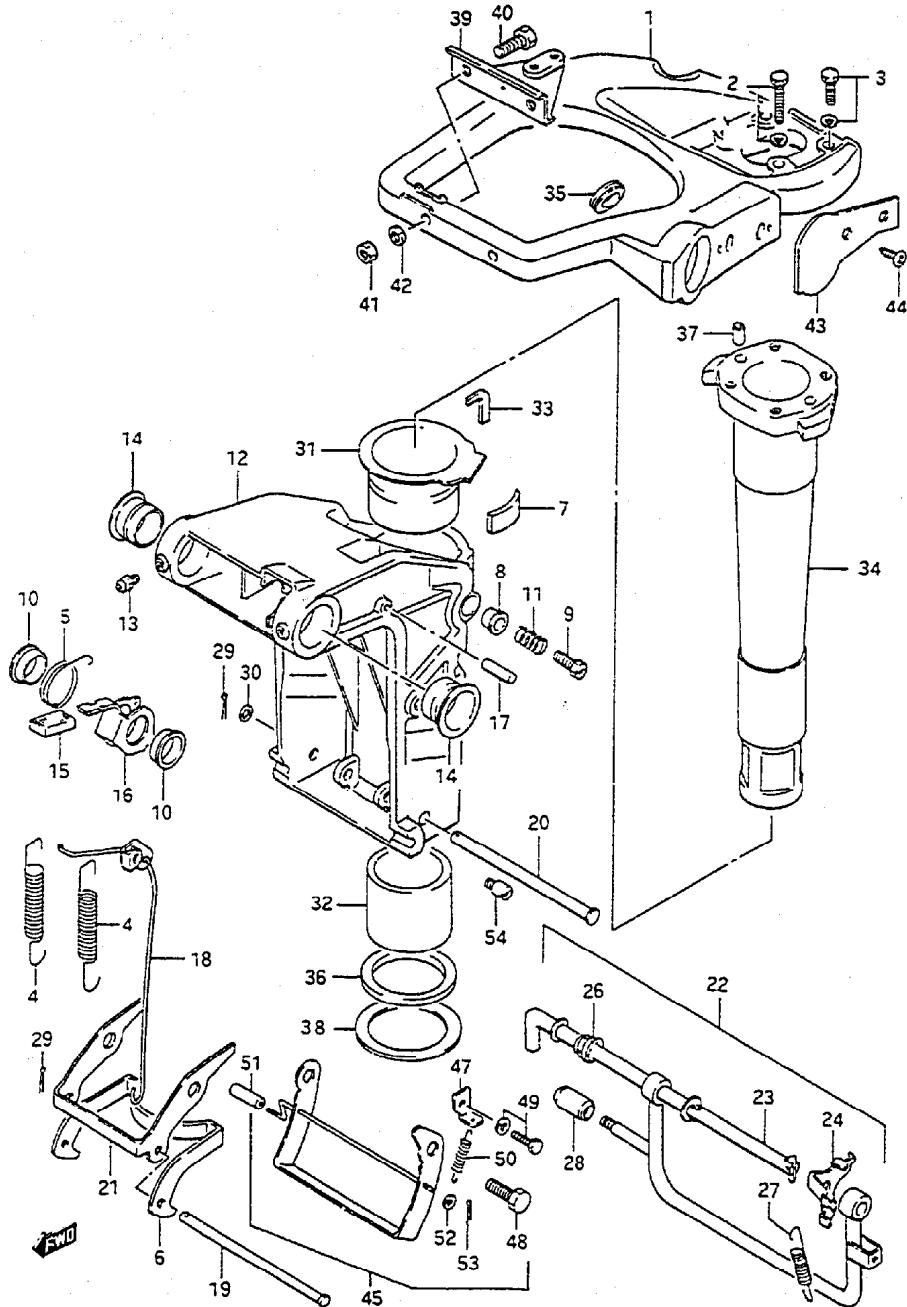
FIG. 20A( E- 4) CLAMP BRACKET (DT40TC MODEL:94~98)



REF.NO.	PART NO.	DESCRIPTION	Q'TY	REMARKS
1	41111-97E01-OED	BRACKET, CLAMP STBD	1	
2	41121-97E01-OED	BRACKET, CLAMP PORT	1	
3	41130-95290	SHAFT, CLAMP BRACKET	1	
4	41151-94500	CAP, CLAMP BRACKET	1	
5	41152-94500	PLUG, CLAMP BRACKET	1	
6	41153-94500	CAP, TRANSOM BOLT	4	
7	55320-95310	ZINC, PROTECTION	1	
8	09116-06092	.BOLT, ZINC	2	
9	09100-12039	BOLT (12X100)	4	
10	09140-12028	NUT, TRANSOM	4	
11	09160-12044	WASHER (12.5X35X3.2)	4	
12	09160-12066	WASHER (12.5X22X2.5)	4	
13	09162-12005	WASHER, TRANSOM LOCK	4	
14	45421-97E00	PIN, TILT LOCK	1	
15	09159-10050	NUT, TILT LOCK	2	
16	09159-22003	NUT	1	
17	48121-97E00	SHAFT, TILT CYL LOWER	1	
18	09307-18002	BUSH, TILT CYL LOWER	2	
19	09100-10190	BOLT, TILT LOWER (10X14.5)	1	
20	09159-10050	NUT, TILT CYL LOWER	1	
21	09160-10082	WASHER, TILT CYL LOWER	1	

FIG. 21

FIG. 21 ( E- 5) SWIVEL BRACKET (MODEL:86~92)

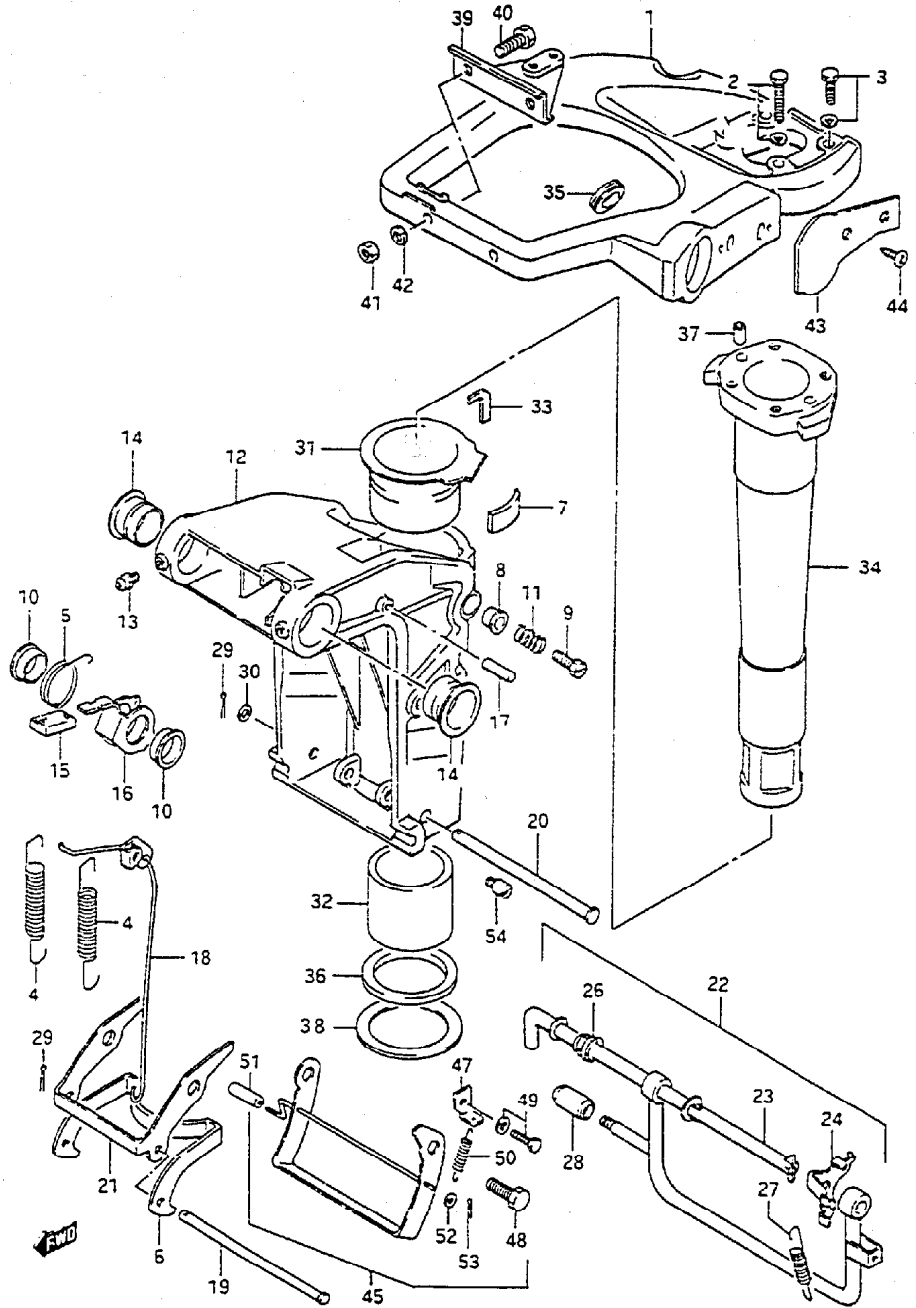


REF.NO.	PART NO.	DESCRIPTION	Q'TY	REMARKS
1	43751-94450-OED	BRACKET, STEERING (GRAY)	1	
2	09117-08073	BOLT (8X35)	2	
3	09117-08075	BOLT (8X30)	2	
4	09443-15031	SPRING	2	
5	09448-29018	SPRING	1	
6	45231-94401	ARM, REVERSE LOCK	1	
7	43411-94400	ADJUSTER, STEERING	1	
8	43421-96302	BUSH, ADJUSTER BOLT	1	
9	09119-08044	BOLT (8X23)	1	
10	09306-22006	BUSH	2	
11	09440-13045	SPRING	1	
12	43111-94490-OED	BRACKET, SWIVEL (GRAY)	1	
13	22511-99010	NIPPLE, GREASE	3	
14	43211-94401	BUSH	2	
15	45255-93001	RUBBER, RELEASE LEVER	1	
16	45261-94400	LEVER, RELEASE	1	
17	41225-94501	PIN, RELEASE ARM	1	
18	45250-94400	LINK, RELEASE	1	
19	09200-05015	PIN	1	
20	09200-08043	PIN	1	
21	45241-94400	LINK, REVERSE LOCK ARM	1	
22	45700-94401	DRIVE ASSY, SHALLOW WATER	1	MODEL:86,87
23	45720-94401	.SHAFT, SHALLOW WATER DRIVE	1	
24	45730-94401	.PLATE, SHALLOW WATER DRIVE	1	
26	09441-17002	.SPRING	1	
27	09443-08045	.SPRING	1	
28	45725-94400	.KNOB	1	
29	09204-01002	COTTER PIN	2	
30	09160-08082	WASHER	1	

REFER TO FIG.22 (E- 7) FOR DT40C MODEL:93~98  
 REFER TO FIG.22A(E- 9) FOR DT40TC MODEL:94~95  
 REFER TO FIG.22B(E-10) FOR DT40TC MODEL:96~98

FIG. 21

FIG. 21 ( E - 6 ) SWIVEL BRACKET (MODEL:86-92)



REF.NO.	PART NO.	DESCRIPTION	Q'TY	REMARKS
31	43711-94400	BUSH, STEERING,UPPER	1	
32	43712-94410	BUSH, STEERING,UNDER	1	
33	43713-94400	SPACER, STEERING BUSH	1	
34	43741-94400-OED	SHAFT, PILOT	1	
35	43753-94400	GROMMET, STEERING BRACKET	1	
36	09161-47001	WASHER	1	
37	09206-09001	PIN	2	
38	09285-47001	OIL SEAL	1	
39	43755-96310	ATTACHMENT, STEERING BRACKET	1	OPT
40	09100-08224	BOLT (8X35)	2	OPT
41	09140-08016	NUT	2	OPT
42	09162-08007	LOCK WASHER	2	OPT
43	43754-94301-OED	COVER, STEERING BRACKET	1	DT40C
44	03142-05103	SCREW	2	DT40C
45	45700-94412	SHALLOW WATER DRIVE ASSY	1	MODEL:88-92
47	45713-94420	.STOPPER	1	MODEL:88-92
48	09111-10045	.BOLT (10X20.8)	2	MODEL:88-92
49	09117-06038	.BOLT (6X16)	1	MODEL:88-92
50	09443-12039	.SPRING	1	MODEL:88-92
51	45255-95500	.KNOB	1	MODEL:88-92
52	09160-05032	.WASHER	1	MODEL:88-92
53	09204-01002	.PIN	1	MODEL:88-92
54	45331-94610	.PIN, SHALLOW DEIVE WATER	1	MODEL:88-92

COLOR : OED (GRAY)



FIG. 22

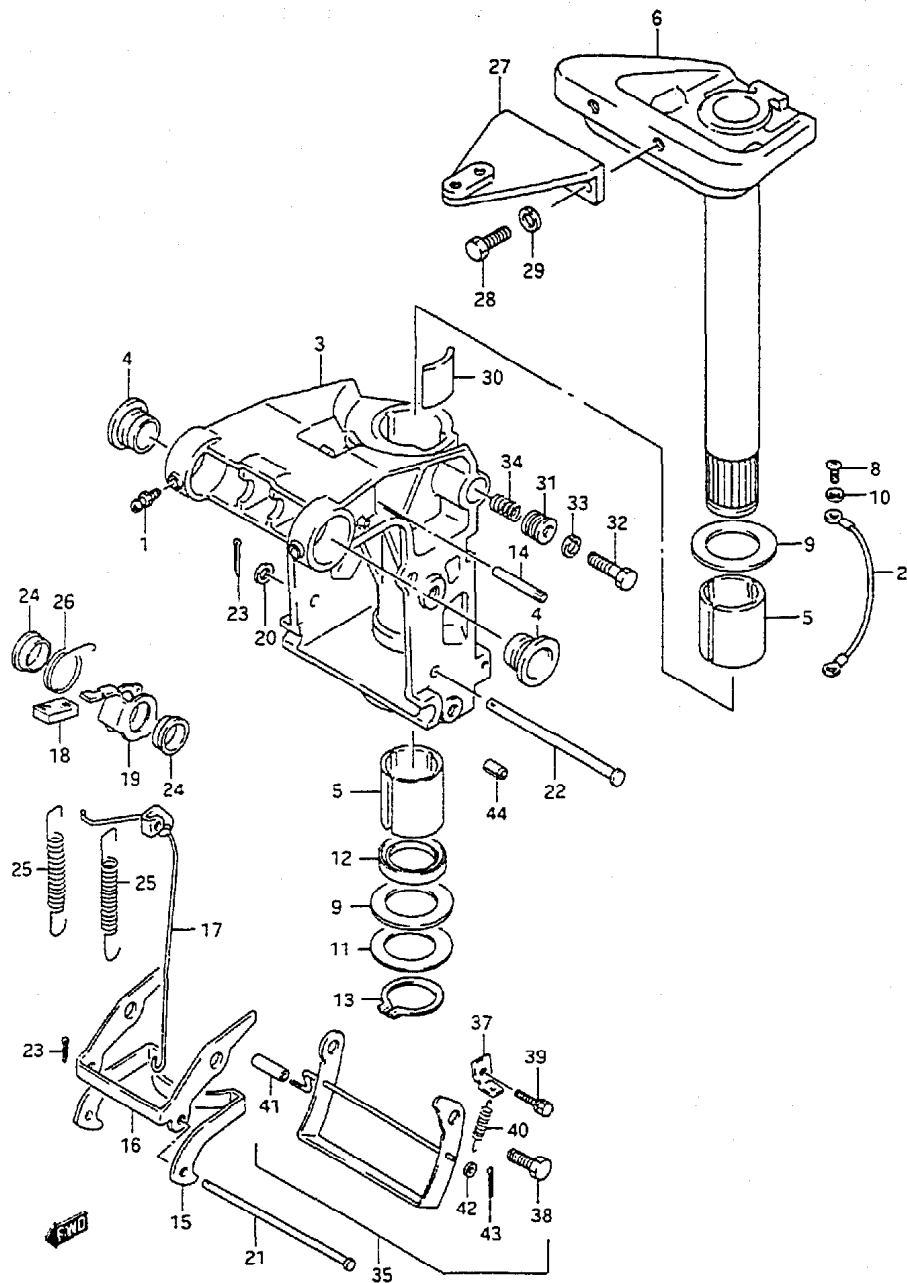


FIG. 22 ( E- 7) SWIVEL BRACKET (DT40C MODEL:93-98)(\*)

REF.NO.	PART NO.	DESCRIPTION	Q'TY	REMARKS
1	22511-99010	NIPPLE, GREASE	3	
2	36894-94401	LEAD	1	
3	43111-97E00-OED	BRACKET, SWIVEL	1	
4	43211-94401	BUSH, SWIVEL BRACKET	2	
5	43711-97E00	BUSH, STEERING	2	
6	43750-97E03-OED	BRACKET, STEERING	1	
8	09125-05050	SCREW	2	
9	09160-39001	WASHER, PILOT SHAFT	3	
10	09161-05114	WASHER, LEAD	2	
11	09181-39001	SHIM, SWIVEL (0.3)	2	
12	09282-39001	SEAL, SWIVEL BRACKET	1	
13	09380-38003	CIRCLIP, PILOT SHAFT LOWER	1	
14	41225-94501	PIN, RELEASE ARM	1	
15	45231-94401	ARM, RELEASE LOCK	1	
16	45241-94400	LINK, RELEASE LOCK ARM	1	
17	45250-94400	LINK, RELEASE	1	
18	45255-93001	RUBBER, RELEASE LEVER	1	
19	45261-94400	LEVER, RELEASE	1	
20-1	09160-08082	WASHER (8.5X16X1.2)	1	
20-2	09160-08091	WASHER (8.5X14X1.0)	1	MODEL:97,98
21	09200-05015	PIN, REVERSE LOCK ARM	1	
22	09200-08043	PIN, REVERSE LOCK ARM LINK	1	
23	09204-01002	PIN, REVERSE LOCK PIN COTTER	2	
24	09306-22006	BUSH, RELEASE LEVER	2	
25	09443-15031	SPRING, REVERSE LOCK	2	
26	09448-29018	SPRING	1	
27	43755-97E01	ATTACHMENT, STRG BRKT	1	
28	09100-10270	BOLT	2	
29	09162-10005	LOCK WASHER	2	

(\*DT40TC -MODEL:93  
DT40C,40RC MODEL:96-98

REFER TO FIG.22A(E-9) FOR DT40TC MODEL:94-95

COLOR : OED (GRAY)

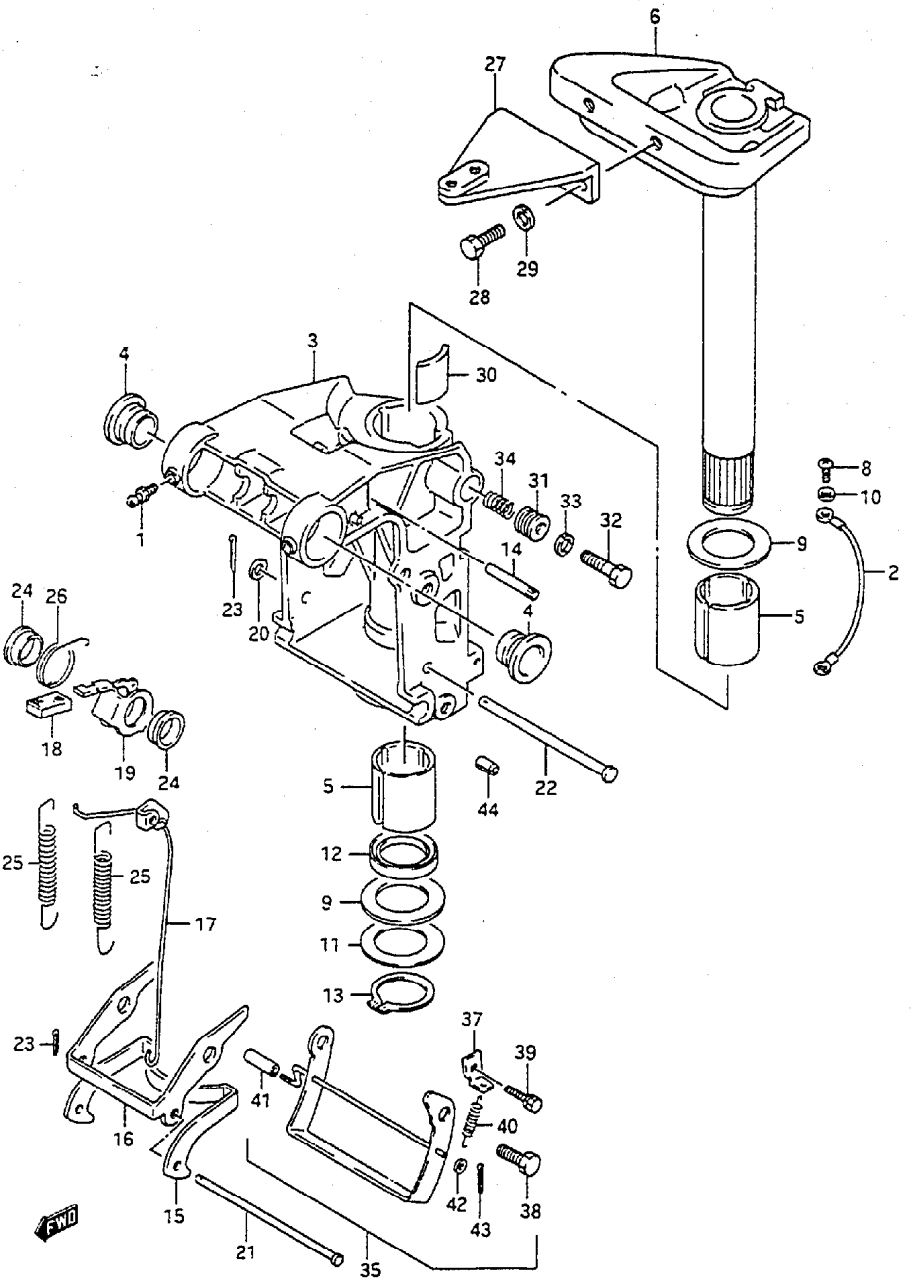
FIG. 22

FIG. 22 ( E- 8) SWIVEL BRACKET (DT40C MODEL:93~98)

Q'TY

REMARKS

REF.NO.	PART NO.	DESCRIPTION	Q'TY	REMARKS
30	43411-97E00	ADJUSTER, STEERING	1	
31	43412-93900	COVER, STRG ADJ	1	
32	09100-08224	BOLT, STRG ADJ	1	
33-1	09160-08082	WASHER (8.5X16X1.2)	1	
33-2	09160-08091	WASHER (8.5X14X1.0)	1	MODEL:98
34	09440-11022	SPRING, STRG ADJ	1	
35	45700-94412	SHALLOW WATER DRIVE ASSY	1	
37	45713-94420	.STOPPER, SHALLOW WATER	1	
38	09111-10045	.BOLT, SHALLOW DRIVE	2	
39	09117-06038	.BOLT, SHALLOW DRIVE STOPPER	1	
40	09443-12039	.SPRING	1	
41	45255-95500	.KNOB, RELEASE LEVER	1	
42-1	09160-05032	.WASHER (5.5X10X0.8)	1	
42-2	09160-05029	.WASHER (5.5X12X0.8)	1	MODEL:97,98
43	09204-01002	.PIN, SPRING STOPPER COTTER	1	
44	09205-08002	.PIN, SHALLOW DRIVE	1	



DT40C E3

32

E 8

FIG. 22A

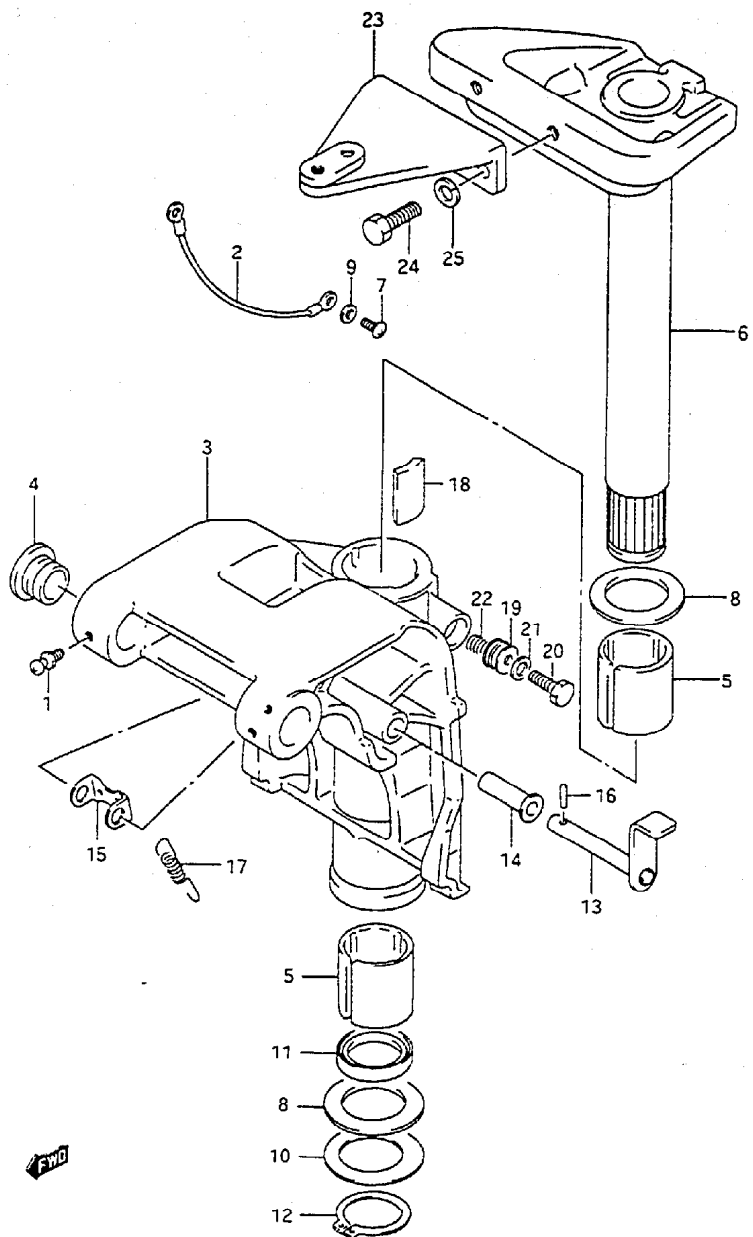


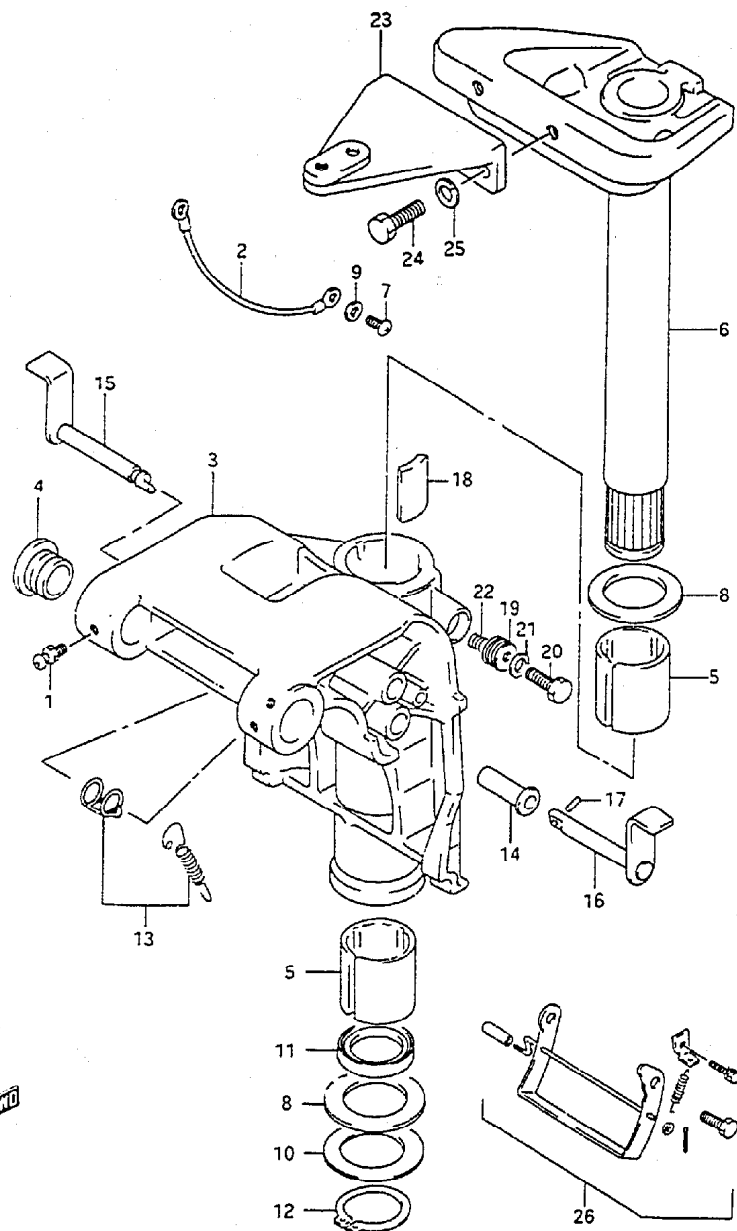
FIG. 22A( E- 9) SWIVEL BRACKET (DT40TC MODEL:94~95)

REF.NO.	PART NO.	DESCRIPTION	Q'TY	REMARKS
1	22511-99010	NIPPLE, GREASE	4	
2	36894-95201	LEAD	1	
3	43111-97E50-OED	BRACKET, SWIVEL	1	
4	43211-95250	BUSH, CLAMP SHAFT	2	
5	43711-97E00	BUSH, STEERING	2	
6	43750-97E03-OED	BRACKET, STEERING	1	
7	09125-05050	SCREW	2	
8	09160-39001	WASHER, PILOT SHAFT	3	
9	09161-05114	WASHER, LEAD	2	
10	09181-39001	SHIM, SWIVEL BRACKET (0.3)	2	
11	09282-39001	SEAL, SWIVEL BRACKET	1	
12	09380-38003	CIRCLIP, PILOT SHAFT LOWER	1	
13	41220-97E00-OED	LEVER, TILT LOCK	2	
14	41226-97E00	BUSH, TILT LOCK LEVER	2	
15	41231-97E00	PLATE, LINK	1	
16	09205-03012	PIN, TILT LINK PLATE	2	
17	09443-09047	SPRING, TILT LINK PLATE	1	
18	43411-97E00	ADJUSTER, STEERING	1	
19	43412-93900	COVER, STRG ADJ	1	
20	09100-08224	BOLT, STEERING ADJUSTER	1	
21	09160-08082	WASHER, STEERING ADJUSTER	1	
22	09440-11022	SPRING, STEERING ADJUSTER	1	
23	43755-97E50	ATTACHMENT, STRG BRKT	1	
24	09100-10270	BOLT	2	
25	09162-10005	LOCK WASHER	2	

REFER TO FIG. 22B(E-10) FOR DT40TC MODEL:96~98

FIG. 22 B

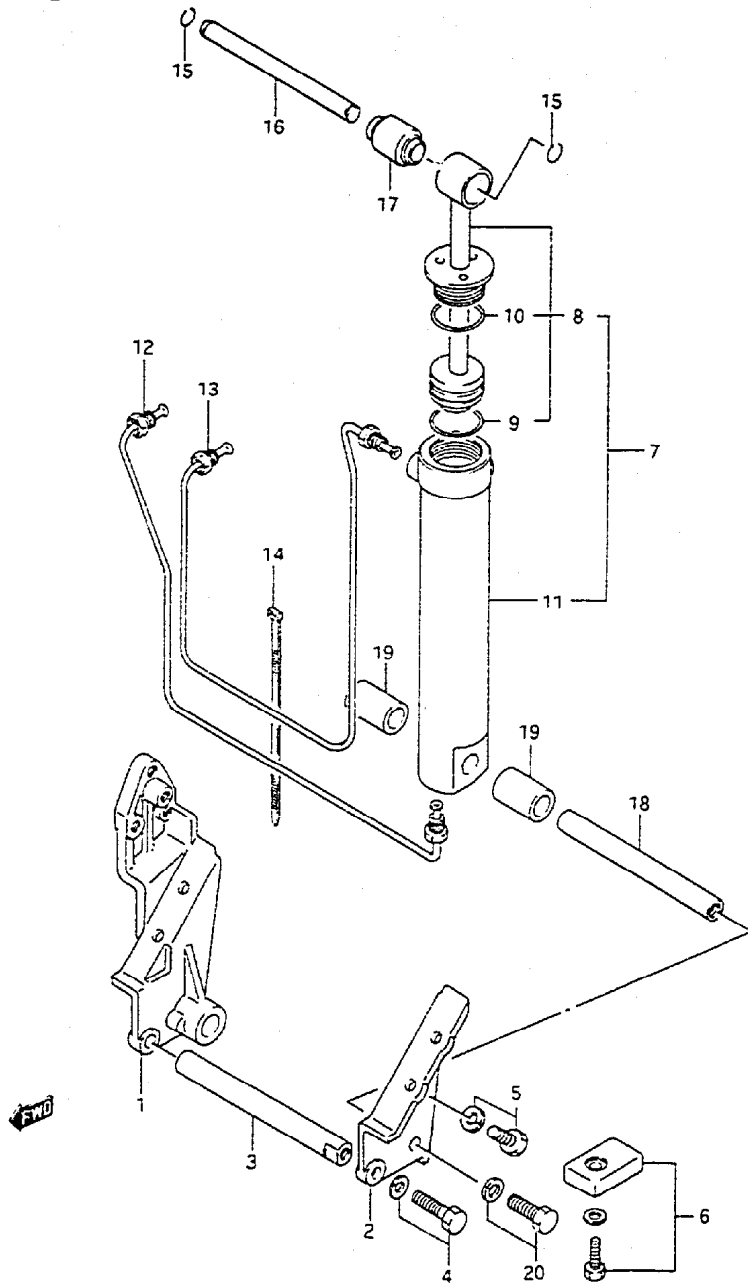
FIG. 22B( E-10) SWIVEL BRACKET (DT40TC MODEL:96~98)



REF. NO.	PART NO.	DESCRIPTION	Q'TY	REMARKS
1	22511-99010	NIPPLE, GREASE	4	
2	36894-95201	LEAD	1	
3	43111-97E50-OED	BRACKET, SWIVEL	1	
4	43211-95250	BUSH, CLAMP SHAFT	2	
5	43711-97E00	BUSH, STEERING	2	
6	43750-97E03-OED	BRACKET, STEERING	1	
7	09125-05050	SCREW	2	
8	09160-39001	WASHER, PILOT SHAFT	3	
9	09161-05114	WASHER, LEAD	2	
10	09181-39001	SHIM, SWIVEL BRACKET (0.3)	2	
11	09282-39001	SEAL, SWIVEL BRACKET	1	
12	09380-38003	CIRCLIP, PILOT SHAFT LOWER	1	
13	41230-97E10	SPRING ASSY, TILT LOCK	1	
14	41226-97E00	BUSH, TILT LOCK LEVER	2	
15	41270-97E00	LEVER, TILT LOCK STBD	1	
16	41280-97E00	LEVER, TILT LOCK PORT	1	
17	09205-03012	PIN	1	
18	43411-97E00	ADJUSTER, STEERING	1	
19	43412-93900	COVER, STRG ADJ	1	
20	09100-08224	BOLT, STEERING ADJUSTER	1	
21-1	09160-08082	WASHER, STEERING ADJUSTER	1	
21-2	09160-08091	WASHER, STEERING ADJUSTER	1	MODEL:97,98
22	09440-11022	SPRING, STEERING ADJUSTER	1	
23	43755-97E50	ATTACHMENT, STRG BRKT	1	
24	09100-10270	BOLT	2	
25	09162-10005	LOCK WASHER	2	
26	45700-94412	SHALLOW WATER DRIVE ASSY	1	OPT

DT40C E3

FIG.23

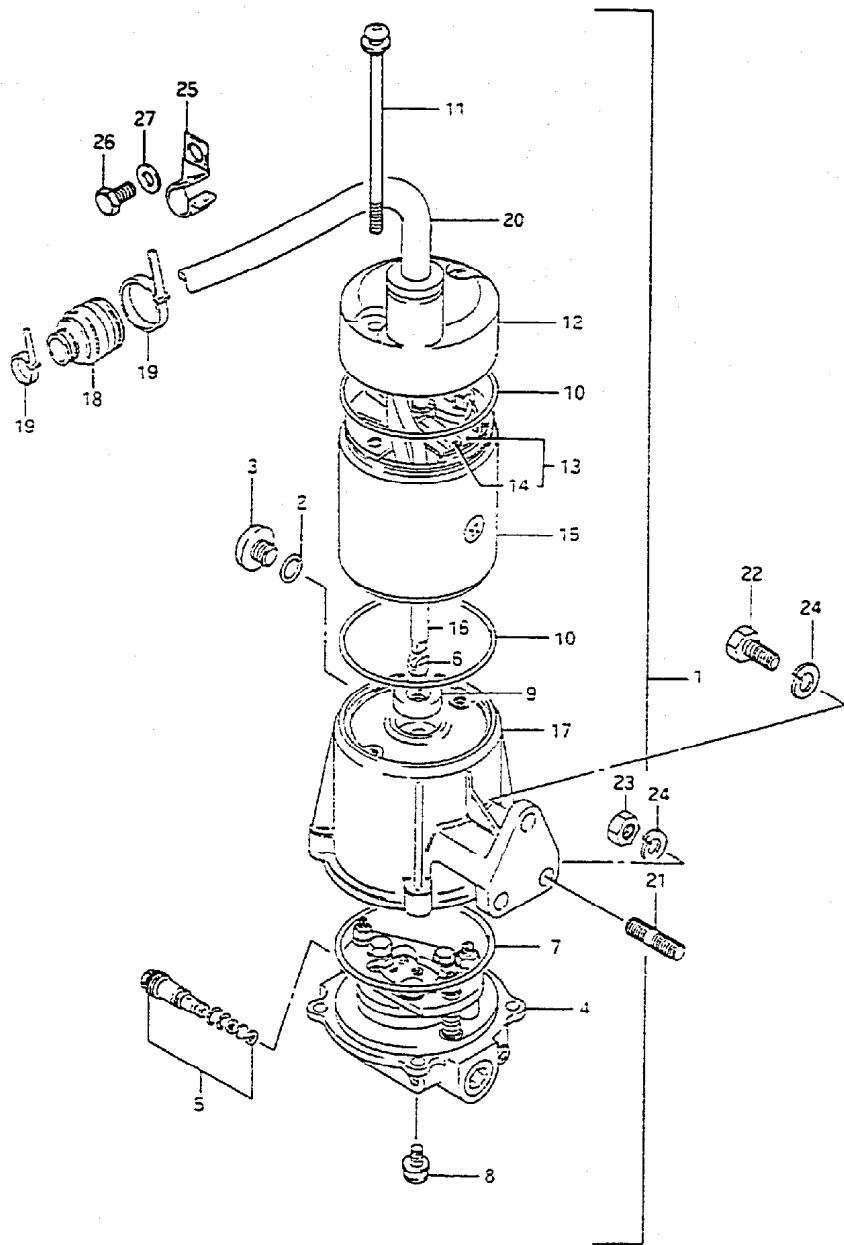


REF.NO.	PART NO.	DESCRIPTION	QTY	REMARKS
1-1	48111-94401-02M	BRACKET, TILT CYLINDER STBD	1	~611694
1-2	48111-94402-0ED	BRACKET, TILT CYLINDER STBD	1	
2	48112-94402-0ED	BRACKET, TILT CYLINDER PORT	1	
3	48135-94400	ROD, TILT CYLINDER BRACKET	1	
4	09117-08047	BOLT (8X30)	2	
5	09117-08057	BOLT (8X25)	4	
6	55320-95310	ZINC. PROTECTION	1	
7	48600-94401-0ED	CYLINDER ASSY, TRIM & TILT	1	
8	48601-94400	.PISTON	1	
9	48627-95510	..O RING, PISTON	1	
10-1	48633-95510	..O RING, HEAD	1	
10-2	48633-95520	..O RING, HEAD	1	136673-
11	48641-94400	.TUBE, CYLINDER	1	
12	48710-94400	TUBE, INLET, NO.1	1	
13	48720-94401	TUBE, INLET, NO.2	1	
14	09407-25402	CLAMP	2	
15	09380-12002	CIRCLIP	2	
16	48321-94400	SHAFT, TILT CYLINDER UPPER	1	
17	09319-12041	BUSH	2	
18	48121-94401	SHAFT, TILT CYLINDER LOWER	1	
19	48163-94400	SPACER, TILT CYLINDER LOWER	2	
20	09117-08057	BOLT (8X25)	2	611695-

COLOR : 02M (SILVER)  
OED (GRAY)

FIG. 24

FIG. 24 ( F- 3) POWER UNIT (DT40TC/MODEL:86~89)

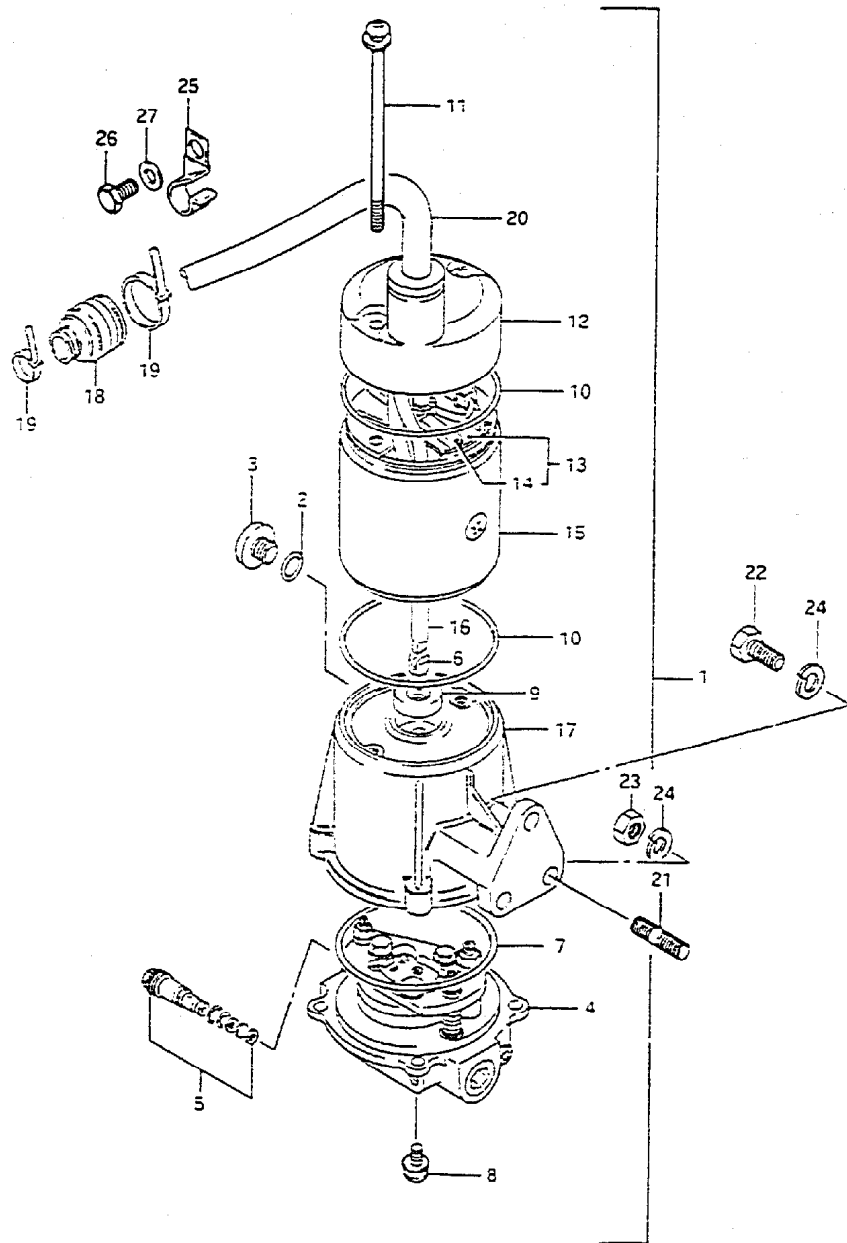


REF.NO.	PART NO.	DESCRIPTION	Q'TY	REMARKS
1-1	48500-94400-02M	POWER/TILT ASSY (SILVER)	1	MODEL:86 →48500-94420-02M USED WITH 38410-94550(2) 33832-94400(1)
1-2	48500-94411-02M	POWER/TILT ASSY (SILVER)	1	MODEL:87,89 →48500-94420-02M USED WITH 38410-94550(2) 33832-94400
1-3	48500-94411-0ED	POWER/TILT ASSY (GRAY)	1	MODEL:89 →48500-94420-0ED USED WITH 38410-94550(2) 33832-94400
2	09168-10022	.GASKET (10X17X1.5)	1	
3	09248-10008	.PLUG	1	
4	48502-94410	.PUMP/VALVE BODY ASSY	1	→48502-94400
5	48550-94600	..VALVE, MANUAL	1	
6	48583-94520	..DRIVE, JOINT	1	
7	48585-94520	..O RING	1	
8	48593-94500	.SCREW	4	
9	09282-08003	.OIL SEAL	1	
10	09280-70005	.O RING (D:3.1, ID:69.4)	1	
11	31281-94520	.SCREW	2	
12	31170-94520-0ED	.COVER, UPPER (GRAY)	1	
13	31173-94521	.BRUSH HOLDER ASSY	1	→31173-94520
14	31133-94521	..BRUSH	2	
15	31110-94520-0ED	.YOKE ASSY (GRAY)	1	
16-1	31311-94520	.ARMATURE	1	FOR 48500-94400-02M
16-2	31311-94600	.ARMATURE	1	FOR 48500-94410-02M, 48500-94411-0ED
17-1	48570-94521-02M	.RESEVOIR ASSY (SILVER)	1	→48570-94600-0ED USED WITH 48583-94590
17-2	48570-94600-0ED	.RESEVOIR ASSY (GRAY)	1	

REFER TO FIG.25 (F- 5) FOR MODEL:90~93  
REFER TO FIG.25A(F- 6) FOR MODEL:94~98

FIG. 24

FIG. 24 ( F- 4) POWER UNIT (DT40TC/MODEL:86-89)

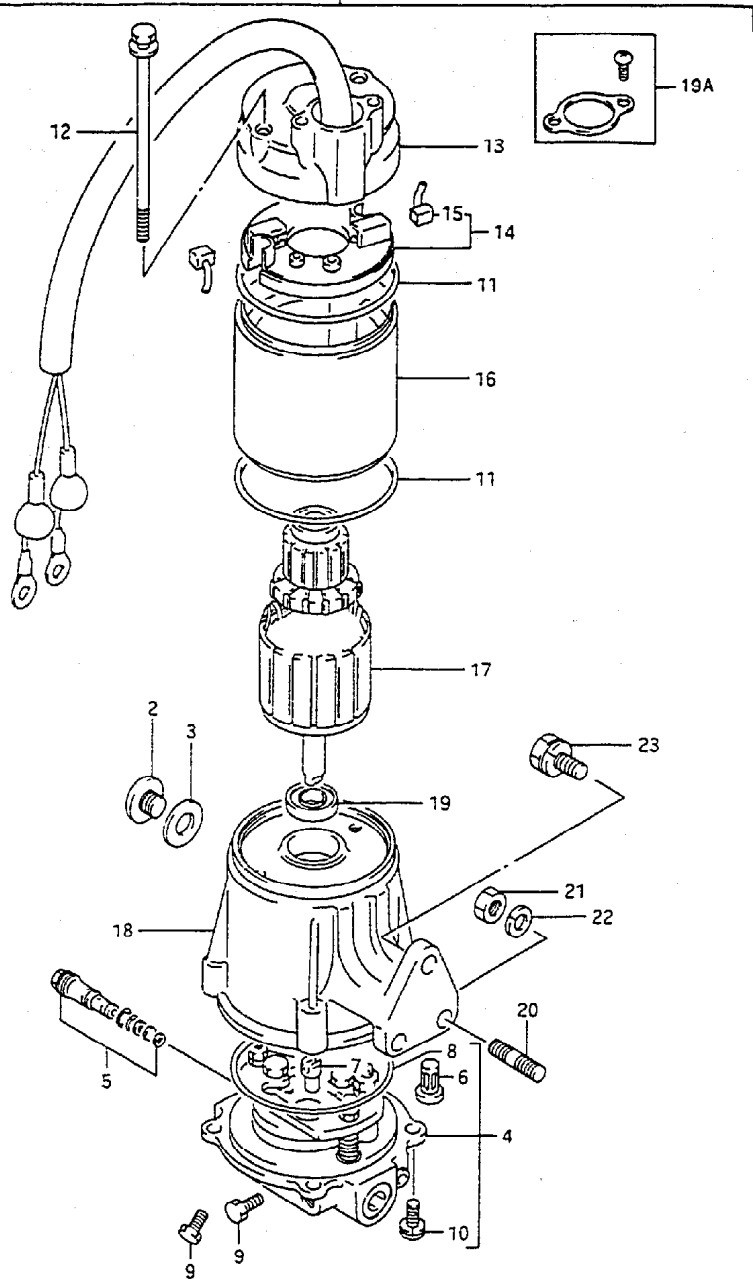


REF.NO.	PART NO.	DESCRIPTION	Q'TY	REMARKS
18	33899-95500	.SEAL, PTT CABLE	1	
19	09407-25402	.CLAMP	2	
20	33861-95600	.CABLE, PTT	1	L:1000
21	09108-08130	STUD BOLT	2	
22	09100-08219	BOLT	1	
23	09140-08016	NUT	2	
24	09162-08007	LOCK WASHER	3	
25	09403-12308	CLAMP	1	
26	09100-06106	BOLT	1	
27	09160-06082	WASHER	1	

DT40C E3

FIG.25

FIG.25 ( F- 5) POWER UNIT (DT40TC/MODEL:90~93)



REF.NO.	PART NO.	DESCRIPTION	Q'TY	REMARKS
1	48500-94420-OED	POWER UNIT ASSY, PTT	1	
2	48511-95500	.PLUG, OIL FILLER	2	←48511-94610
3	09280-09005	..O RING	2	
4	48502-94410	.PUMP & VALVE BODY ASSY	1	
5	48550-94600	..VALVE, MANUAL	1	
6	48531-94500	..FILTER, PTT PUMP	1	
7	48583-94520	..JOINT, DRIVE	1	
8	48585-94520	..O RING, VALVE BODY	1	
9	48586-94500	..PLUG, VALVE BODY PORT	2	
10	48593-94500	.SCREW, VALVE BODY	4	
11	31123-87D60	.O RING	2	
12	31281-94610	.THROUGH BOLT	2	
13	31170-94610-OED	.COVER, UPPER	1	
14	31173-94620	.HOLDE, BRUSH	1	
15	31133-94610	..BRUSH	2	
16	31110-94610-OED	.YOKE ASSY	1	
17	31311-94610	.ARMATURE ASSY	1	
18	48570-94610-OED	.RESERVOIR	1	
19	33799-94610	.SEAL, OIL	1	
19A	33899-94600	.SEAL, PTT CABLE	1	
20	09108-08130	STUD BOLT	2	
21	09140-08016	NUT	2	
22	09162-08007	LOCK WASHER	2	
23	09117-08046	BOLT	1	

COLOR : OED (GRAY)



FIG. 25 A

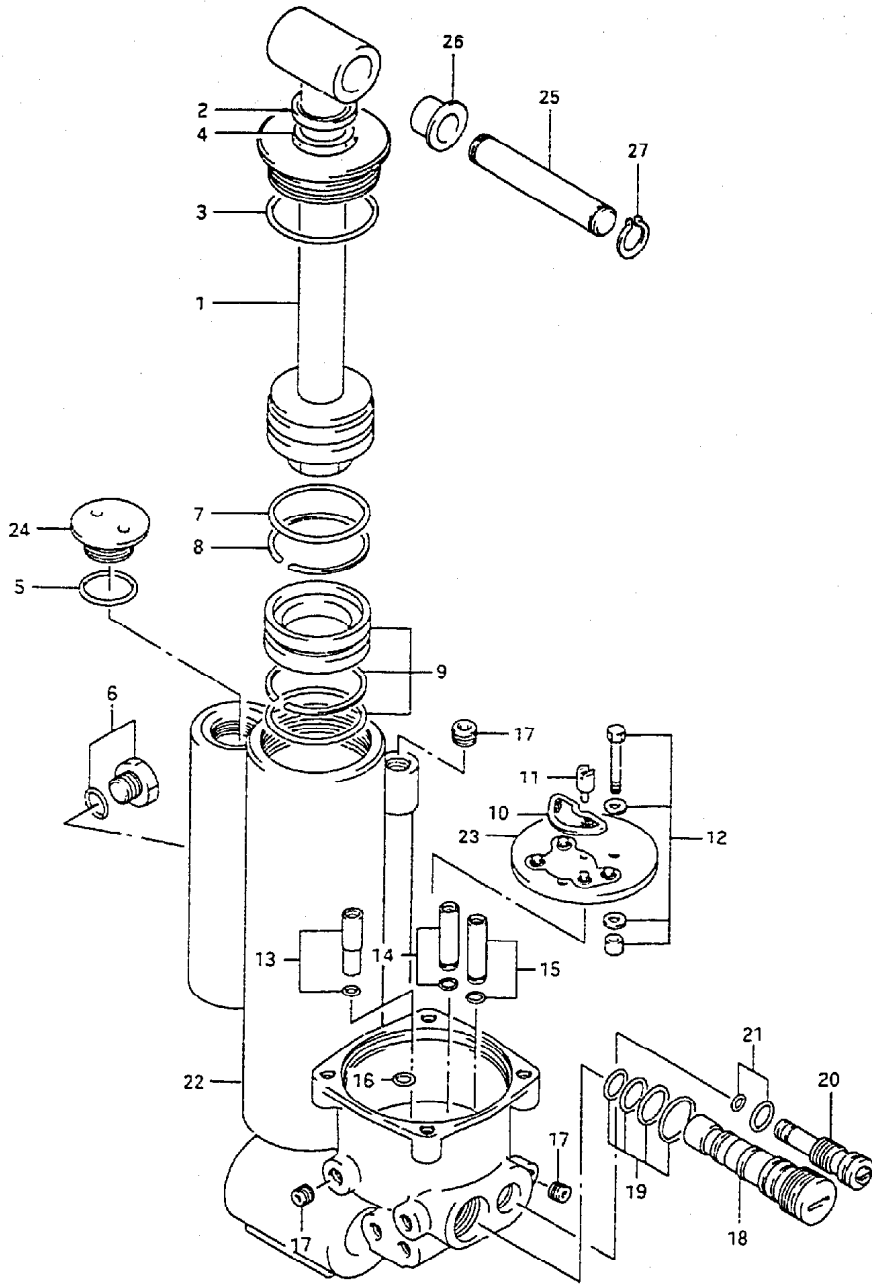


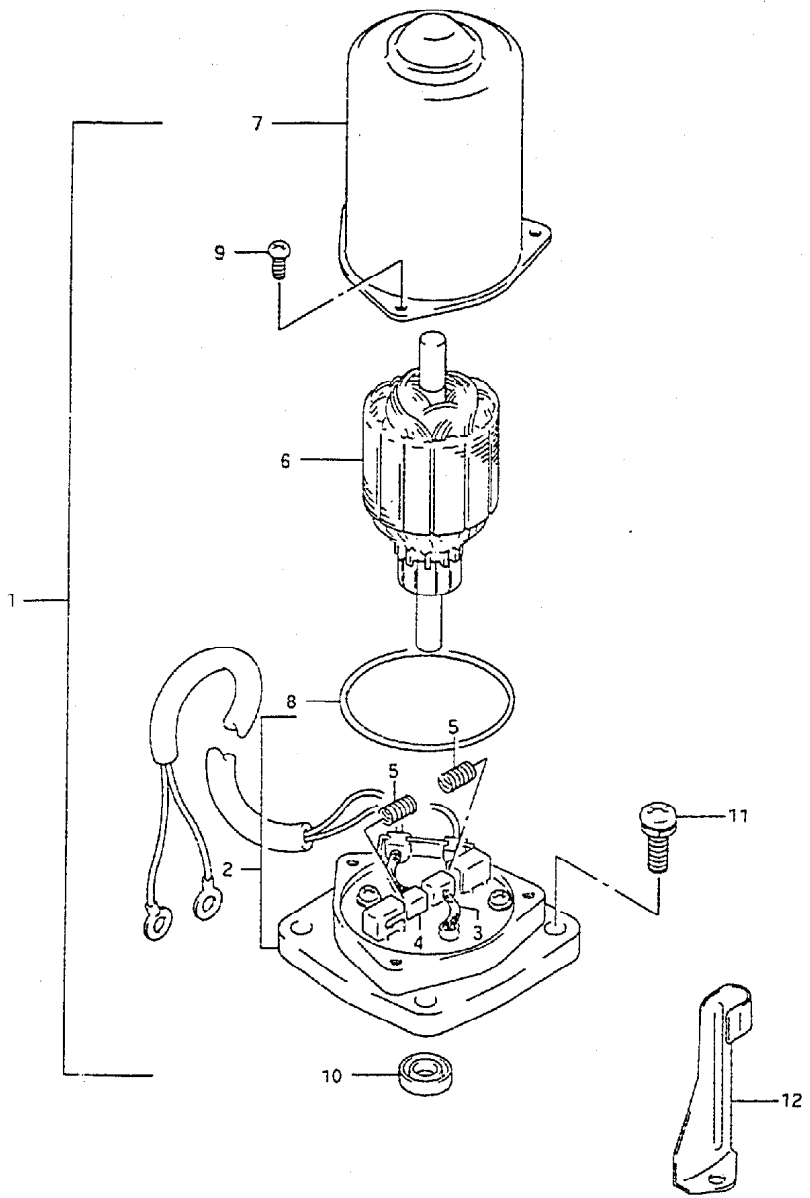
FIG. 25A( F- 6) POWER TRIM & TILT (DT40TC/MODEL:94-99)

REF.NO.	PART NO.	DESCRIPTION	Q'TY	REMARKS
1	48601-97E00	PISTON ROD	1	
2	48632-97E00	OIL SEAL, CYL HEAD	1	
3	48633-97E00	O RING, CYL HEAD	1	
4	48634-97E00	O RING, CYL HEAD	1	
5	48576-97E00	O RING, PLUG RESERVOIR	1	
6	48572-97E00	PLUG SET, RESERVOIR	1	
7	48405-87D00	O RING, PISTON	1	
8	48615-97E00	RING, PISTON	1	
9	48650-97E00	PISTON, FREE	1	
10	48582-97E00	FILTER, PUMP	1	
11	48583-97E00	DRIVE JOINT	1	
12	48541-97E00	BOLT SET, PUMP	1	
13	48870-97E00	VALVE, THERMAL	1	
14	48820-97E00	VALVE, UP PRESSURE	1	
15	48830-97E00	VALVE, DOWN PRESSURE	1	
16	48518-87D00	O RING, PUMP & RESERVOIR	2	
17	48690-97E00	PLUG SET, MANIFOLD	1	
18	48530-97E00	VALVE, MAIN CHECK	1	
19	48536-97E00	O RING SET, MAIN CHECK	1	
20	48550-97E00	VALVE, MANUAL	1	
21	48557-97E00	O RING SET, MANUAL VALVE	1	
22	48641-97E00-OED	CYLINDER (GRAY)	1	
23	48519-97E00	HOLDER, PUMP	1	
24	48575-97E00	PLUG, RESERVOIR	1	
25	48321-97E00	SHAFT, TILT CYL UPPER	1	
26	48325-97E00	BUSH, TILT CYL UPPER	2	
27	09380-12002	E RING, TILT CYL UPPER	2	

**FIG. 25 B**

**FIG. 25B( F- 7) POWER TRIM & TILT MOTOR (MODEL:94-98)**

REF.NO.	PART NO.	DESCRIPTION	Q'TY	REMARKS
1	38100-97E00-OED	MOTOR ASSY, PTT	1	
2	31173-97E00	.BRUSH HOLDER	1	
3	31133-97E00	..BRUSH	1	
4	31136-97E00	..BREAKER	1	
5	31135-97E00	..SPRING	2	
6	31311-97E00	.ARMATURE	1	
7	31110-97E00-OED	.YOKE ASSY	1	
8	31123-97E00	.O RING	1	
9	48593-94500	.SCREW	3	
10	33799-97E00	.SEAL, OIL	1	
11	48862-97E00	SCREW, MOTOR	4	
12	38111-97E00	HOLDER, PTT CABLE	1	



DT40C E3

FIG. 26

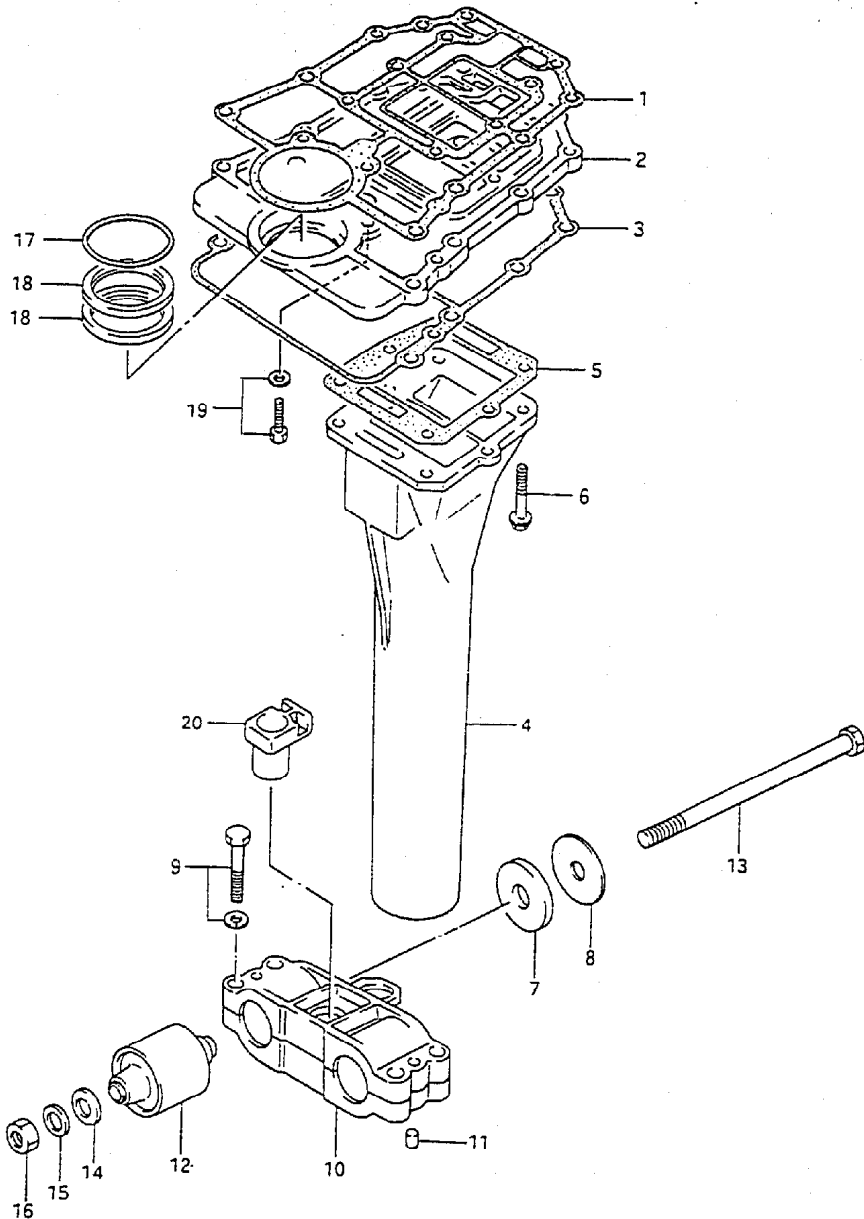


FIG. 26 ( F- 8) EXHAUST TUBE

REF. NO.	PART NO.	DESCRIPTION	Q'TY	REMARKS
1	11433-94411	GASKET, UNDER OIL SEAL	1	
2	11431-94405	HOUSING, UNDER OIL SEAL	1	
3	11434-94411	GASKET, UNDER OIL SEAL LOWER	1	
4-1	14211-94451	TUBE, EXHAUST (S/L)	1	L:300
5	14212-94411	GASKET, EXHAUST TUBE	1	
6	09103-06095	BOLT (6X35)	6	
7	54121-94400	STOPPER, UPPER THRUST	2	
8	09160-10080	WASHER (10X44X3)	2	
9	09117-08038	BOLT (8X45)	4	
10-1	54137-94400	CASE, UPPER MOUNT	2	→54137-94401 USED WITH 54146-94400
10-2	54137-94401	CASE, UPPER MOUNT	2	MODEL:98
11	09202-07001	PIN	2	
12	54130-94400	MOUNT, UPPER	2	
13	09100-10217	BOLT (10X150)	2	
14	09160-10081	WASHER (10X20X3)	2	
15	09160-10082	WASHER (10.5X19X2)	2	
16	09159-10050	NUT	2	
17	09280-50008	O RING	1	
18	09282-17009	OIL SEAL (28X25X6)	2	
19	09116-06106	BOLT (6X20)	2	
20	54146-94400	GUIDE, UPPER MOUNT CASE	1	MODEL:98

FIG. 27

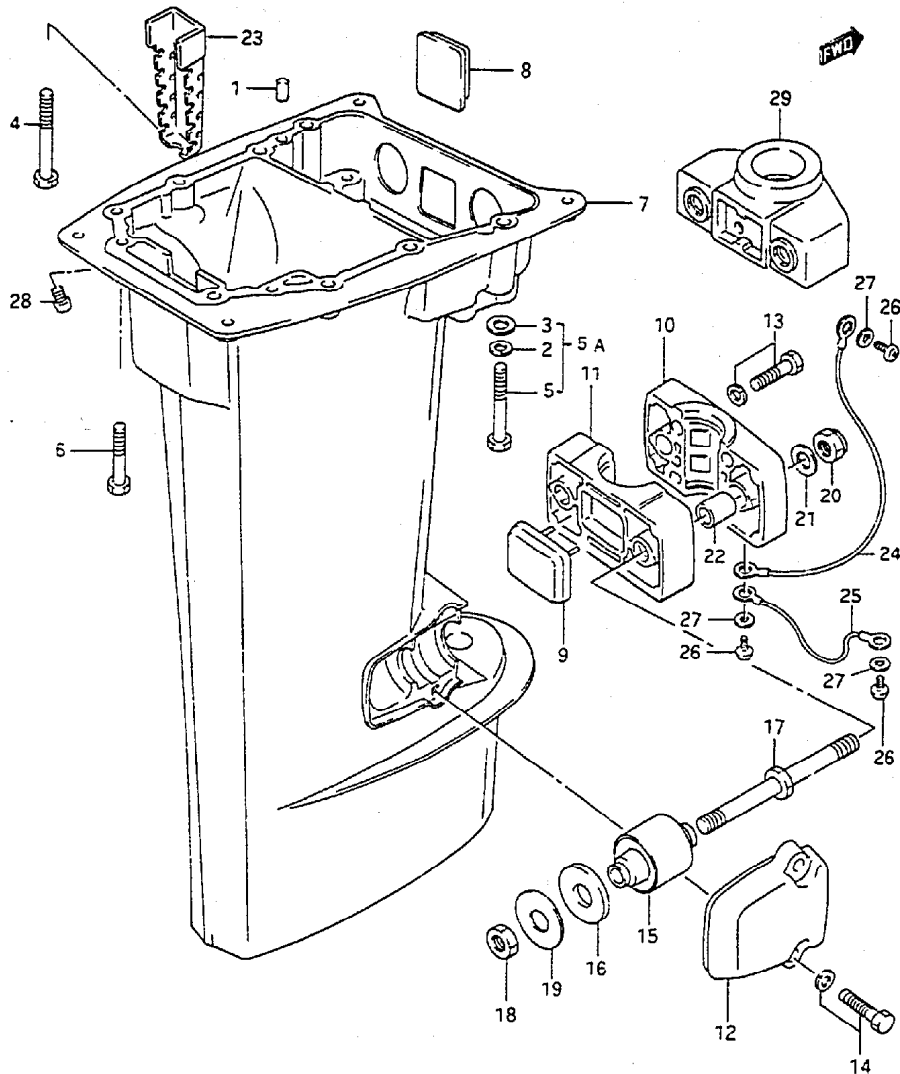


FIG. 27 ( F- 9) DRIVE SHAFT HOUSING

REF. NO.	PART NO.	DESCRIPTION	Q'TY	REMARKS
1	09202-06031	PIN	2	
2	09162-08007	LOCK WASHER	2	
3	09160-08082	WASHER (8.5X16X1.2)	2	
4	09118-08098	BOLT (8X85)	1	
5	09100-08231	BOLT (8X75)	2	
5A	09118-08109	BOLT (8X75)	2	MODEL:97,98
6	09118-08106	BOLT (8X50)	6	
7-1	52111-94441-02M	HOUSING, DRIVE SHAFT (S)	1	L:398,~612610 →52110-97E01-OED USED WITH 52117-94400
7-2	52111-97E01-OED	HOUSING, DRIVE SHAFT (S)	1	L:398,612611~ MODEL:89~97
7-3	52110-97E01-OED	HOUSING, DRIVE SHAFT (S)	1	MODEL:98
7-4	52111-94451-02M	HOUSING, DRIVE SHAFT (L)	1	L:478,~612610 →52110-97E21-OED USED WITH 52117-94400
7-5	52111-97E21-OED	HOUSING, DRIVE SHAFT (L)	1	L:478,612611~ MODEL:88~97
7-6	52110-97E21-OED	HOUSING, DRIVE SHAFT (L)	1	MODEL:98
8	54125-94400	MOUNT, UPPER THRUST REVERSE	1	
9	54151-94400	MOUNT, LOWER THRUST	1	
10	54211-94410-OED	BRACKET, FRONT SIDE	1	~MODEL:92
11	54212-94400-OED	BRACKET, REAR SIDE	1	~MODEL:92
12	54221-94400-OED	COVER, LOWER MOUNT	2	

COLOR : 02M (SILVER)  
OED (GRAY)

FIG. 27

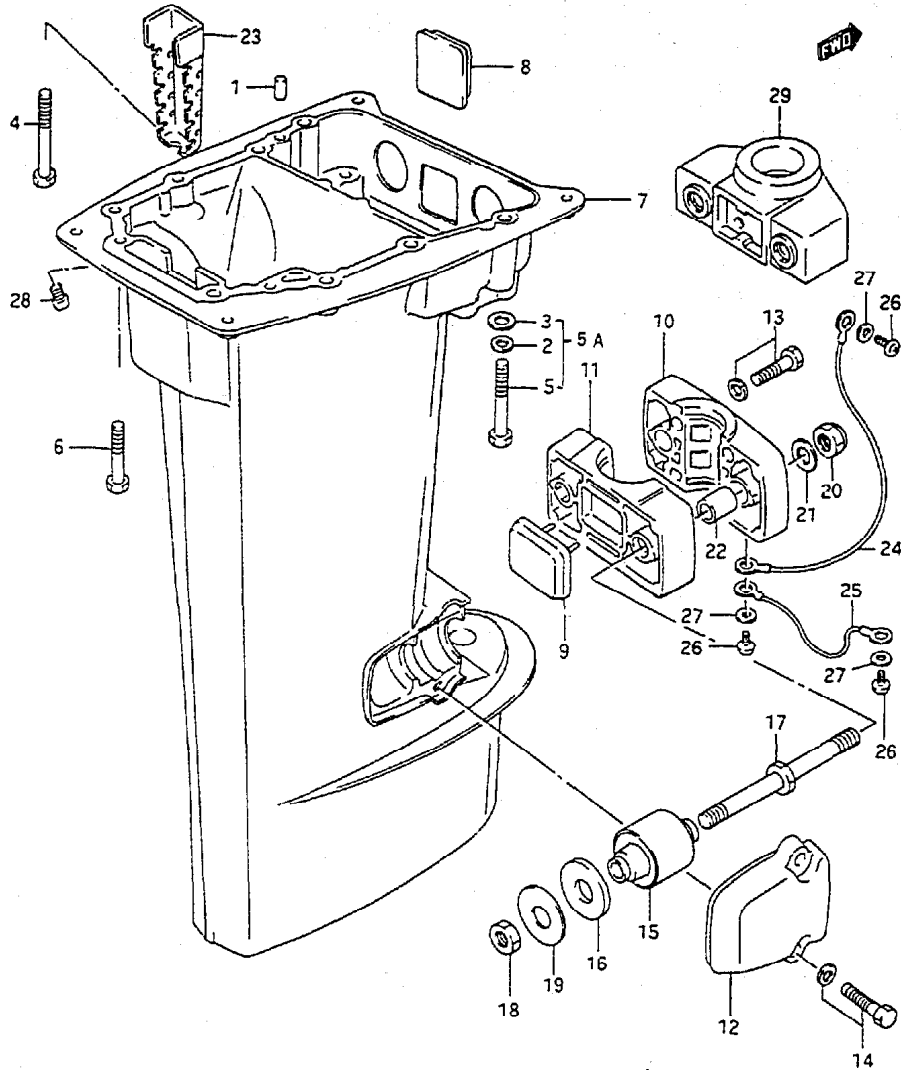
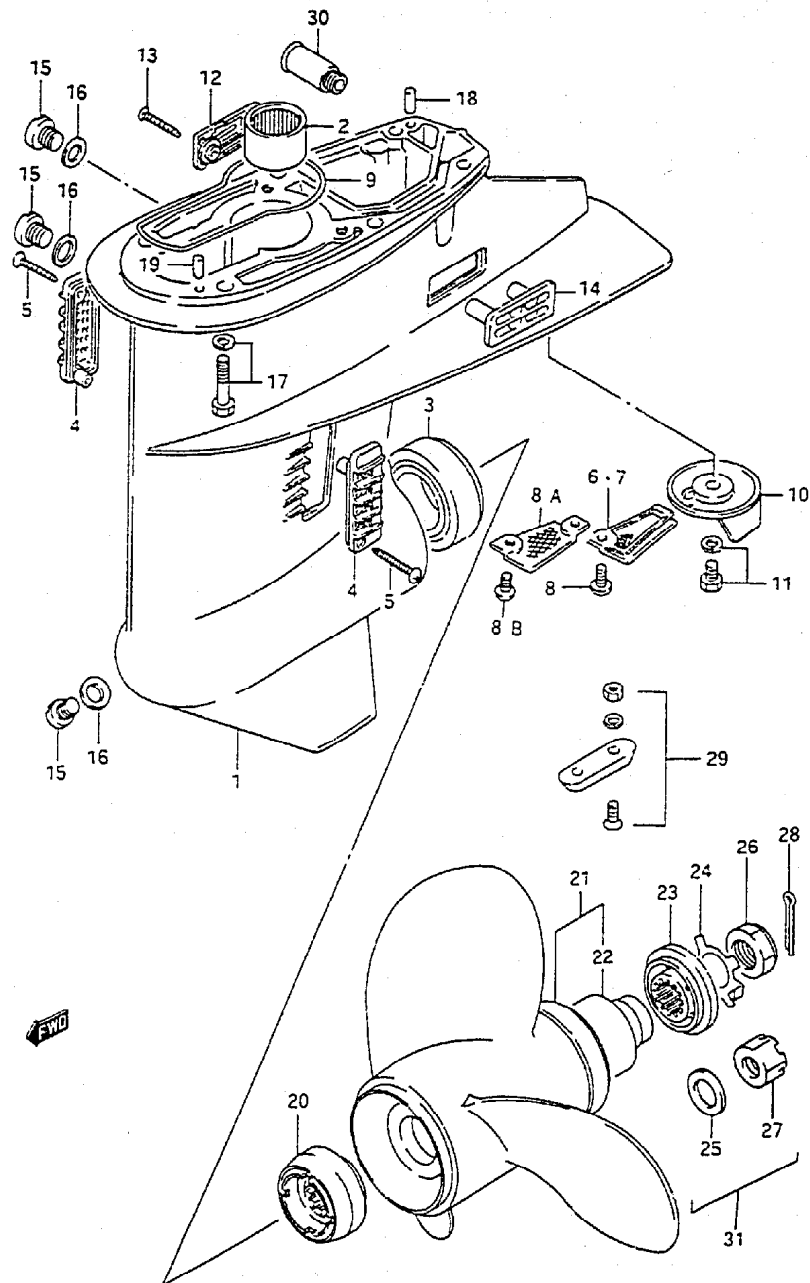


FIG.27 ( F-10) DRIVE SHAFT HOUSING

REF.NO.	PART NO.	DESCRIPTION	Q'TY	REMARKS
13	09117-08038	BOLT (8X45)	4	-MODEL:92
14	09117-08045	BOLT (8X35)	4	
15	54160-94400	MOUNT, LOWER	2	
16	54165-94400	DAMPER, REVERSE STOP, LOWER	2	
17	54166-94410	BOLT, LOWER MOUNT	2	
18	09140-12029	NUT	2	
19	09160-12065	WASHER (12X40X3)	2	
20	09159-12014	NUT	2	
21	09160-12066	WASHER (12.5X22X2.5)	2	
22	09180-12104	SPACER	2	-MODEL:92
23	11435-94400	PLATE, EXHAUST RELEASE	1	
24	36894-94401	LEAD	1	L:195
25	36894-95201	LEAD	1	L:165
26	09125-05050	SCREW	3	
27	09161-05114	WASHER	3	
28	52117-94400	TUBE, WATER INSP	1	-MODEL:96
29	54211-97E00-0ED	BRACKET, LOWER MOUNT	1	MODEL:93-98

FIG. 28

FIG. 28 ( F-11) GEAR CASE



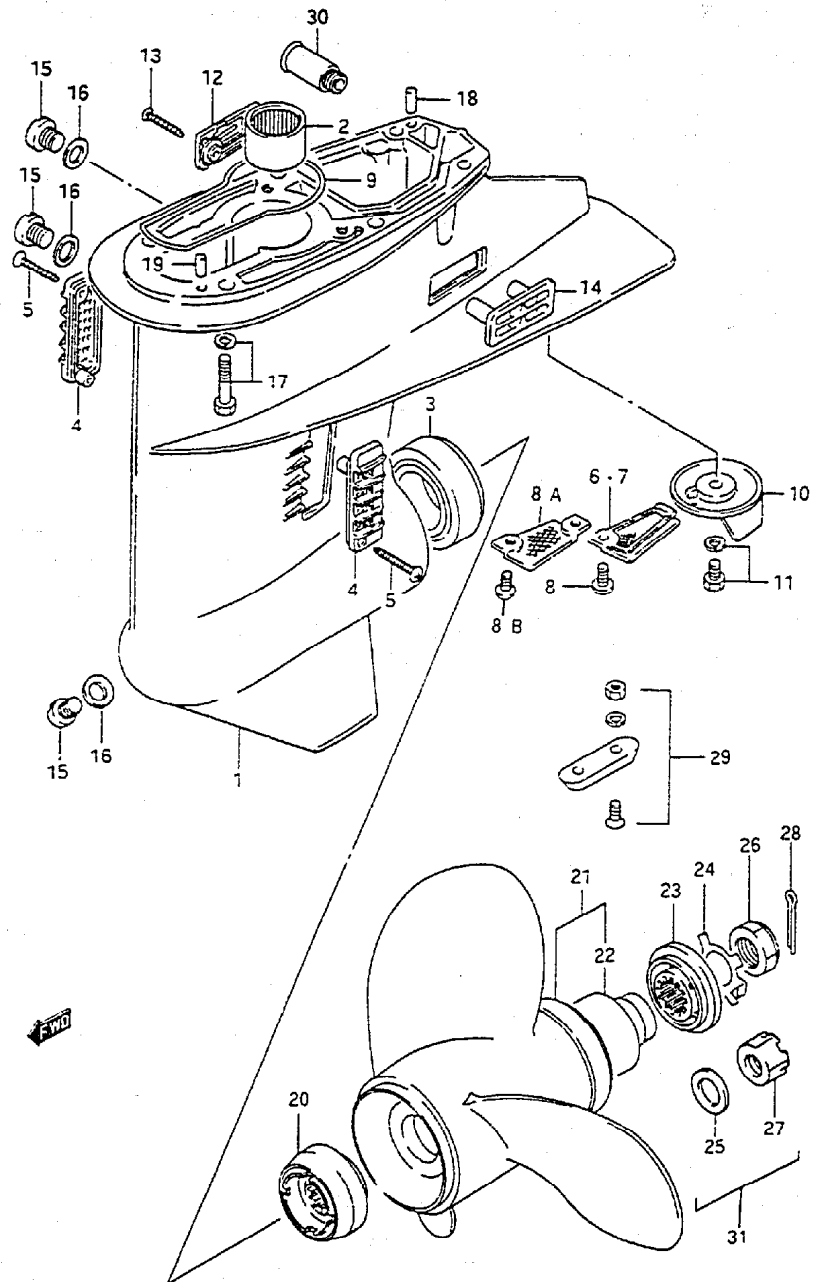
REF.NO.	PART NO.	DESCRIPTION	Q'TY	REMARKS
1-1	55100-94421-02M	CASE ASSY, GEAR	1	~464115 →55100-94431-OED USED WITH 17635-87E00 09125-05046, 09440-07071
1-2	55100-94431-OED	CASE ASSY, GEAR	1	464116~
2	09263-22039	.BEARING	1	
3	09265-30004	.BEARING	1	
4	17631-96320	FILTER, WATER	2	
5	03142-04303	SCREW	2	
6	17635-95501	FILTER	1	~MODEL:93
7	17635-95510	PLATE, GEAR CASE	1	OPT
8	09125-06053	SCREW	1	
8A	17635-87E00	FILTER, SUB WATER	1	MODEL:94~98
8B	09125-05046	SCREW (5X12)	2	MODEL:94~98
9	55122-94400	RING, GEAR CASE SEAL	1	
10	55125-95500	TAB, TRIM	1	
11	09117-08037	BOLT (8X16)	1	
12	55117-94401	COVER, GEAR CASE STARBOARD	1	
13	03142-04203	TAPPING SCREW	2	
14	55112-94401	COVER, GEAR CASE	1	
15	09248-10008	PLUG	3	
16	09168-10022	GASKET (10X17X1.5)	3	
17	09117-08086	BOLT (8X45)	6	
18	09202-06027	PIN	1	
19	09202-06025	PIN	1	
20	57632-95305	STOPPER, PROPELLER BUSH	1	
21-1	58100-94302-019	PROPELLER (3X11-1/2X9)	1	S900
21-2	58100-95212-019	PROPELLER (3X11-1/2X10)	1	S1000
21-3	58100-95222-019	PROPELLER (3X11-1/2X11)	1	S1100
21-4	58100-95393-019	PROPELLER (3X11-5/8X12)	1	S1200
21-5	58100-94313-019	PROPELLER (3X11-1/2X13)	1	S1301

COLOR : 02M (SILVER)  
OED (GRAY)  
019 (BLACK)

DT40C E3

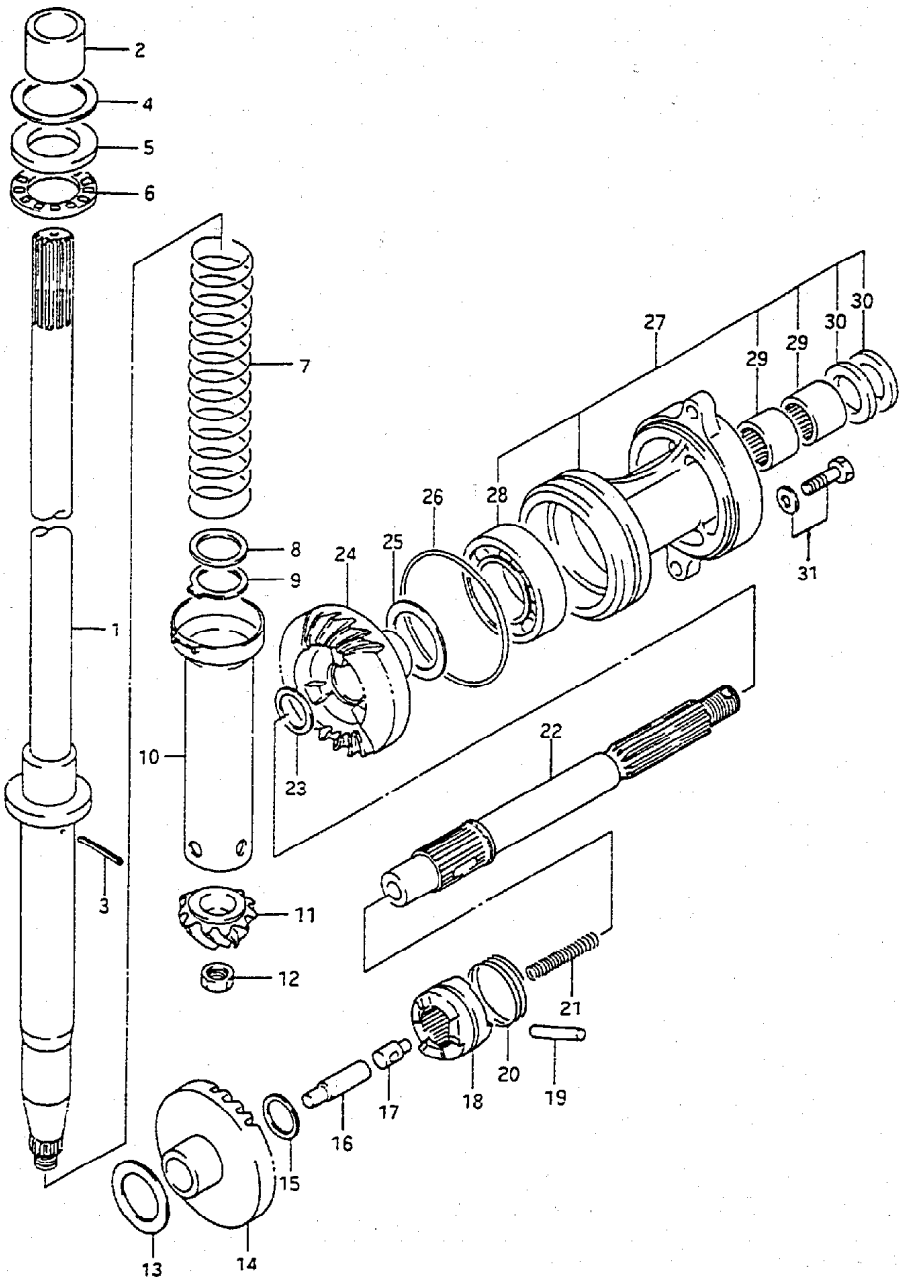
FIG. 28

FIG. 28 ( F-12) GEAR CASE



REF.NO.	PART NO.	DESCRIPTION	QTY	REMARKS
21-6	58100-95353-019	PROPELLER (3X11-3/8X14)	1	S1400
21-7	58100-95363-019	PROPELLER (3X11-1/4X15)	1	S1500
21-8	58100-95373-019	PROPELLER (3X11-1/8X16)	1	S1600
21-9	58100-95382-019	PROPELLER (3X11X17)	1	S1700
21-10	58100-94401	PROPELLER (3X11-1/2X13)	1	SS1300, STAINLESS STEEL
21-11	58100-94411	PROPELLER (3X11-3/8X14)	1	SS1400, STAINLESS STEEL
21-12	58100-94431	PROPELLER (3X11-1/8X16)	1	SS1600, STAINLESS STEEL
22	58120-95300	.BUSH, PROPELLER	1	+58120-95320
23	57633-94300	SPACER, PROPELLER NUT	1	
24	57635-95300	WASHER, PROPELLER NUT LOCK	1	
25	09160-18028	WASHER	1	233196~
26	09159-18004	NUT	1	
27	09141-18005	NUT	1	233195~
28	09204-03003	PIN	1	
29	55300-95500	ZINC, PROTECTION	1	OPT
30-1	55181-95200	ATTACHMENT, FLUSH HOSE	1	
30-2	55182-95200	ATTACHMENT, FLUSH HOSE	1	OPT
31	57630-94300	KIT, PROPELLER NUT	1	OPT
32	25700-94400	SEALING KIT, GEAR CASE	1	OPT, NCT SHOWN

FIG. 29



REF. NO.	PART NO.	DESCRIPTION	Q-TY	REMARKS
1-1	57110-94411	SHAFT, DRIVE (S)	1	L:736.8
1-2	57110-94441	SHAFT, DRIVE (L)	1	L:816.8
2	57130-94301	BUSH, DRIVE SHAFT (L)	1	
3	09205-03019	SPRING PIN (OD:3,L:10)	1	
4-1	09181-30186	SHIM (30X42X0.5)	0-1	
4-2	09181-30187	SHIM (30X42X0.6)	0-1	
4-3	09181-30188	SHIM (30X42X0.7)	0-1	
4-4	09181-30190	SHIM (30X42X0.8)	0-1	
4-5	09181-30006	SHIM (30X42X0.9)	0-1	
4-6	09181-30192	SHIM (30X42X0.9)	0-1	MODEL:97,98
4-7	08211-30421	SHIM (30X42X1.0)	0-1	
5	09160-26015	WASHER	1	
6	09263-25062	BEARING	1	
7	09440-30005	SPRING	1	
8	09160-24020	WASHER	1	
9	09166-25006	WASHER	1	
10	57133-94400	HOUSING, DRIVE SHAFT SPRING	1	
11	57311-94402	PINION	1	
12	09140-12034	NUT	1	
13-1	09181-30186	SHIM (30X42X0.5)	0-1	
13-2	09181-30187	SHIM (30X42X0.6)	0-1	
13-3	09181-30188	SHIM (30X42X0.7)	0-1	
13-4	09181-30190	SHIM (30X42X0.8)	0-1	
13-5	09181-30006	SHIM (30X42X0.9)	0-1	
13-6	09181-30192	SHIM (30X42X0.9)	0-1	MODEL:97,98
13-7	08211-30421	SHIM (30X42X1.0)	0-1	
14	57510-94402	GEAR, FORWARD	1	
15-1	08211-20263	THRUST WASHER (20X62X2)	0-1	
15-2	08211-20264	THRUST WASHER (20X26X2.2)	0-1	
16	57631-95302	ROD, PUSH	1	
17	09209-09004	PIN	1	



FIG. 29

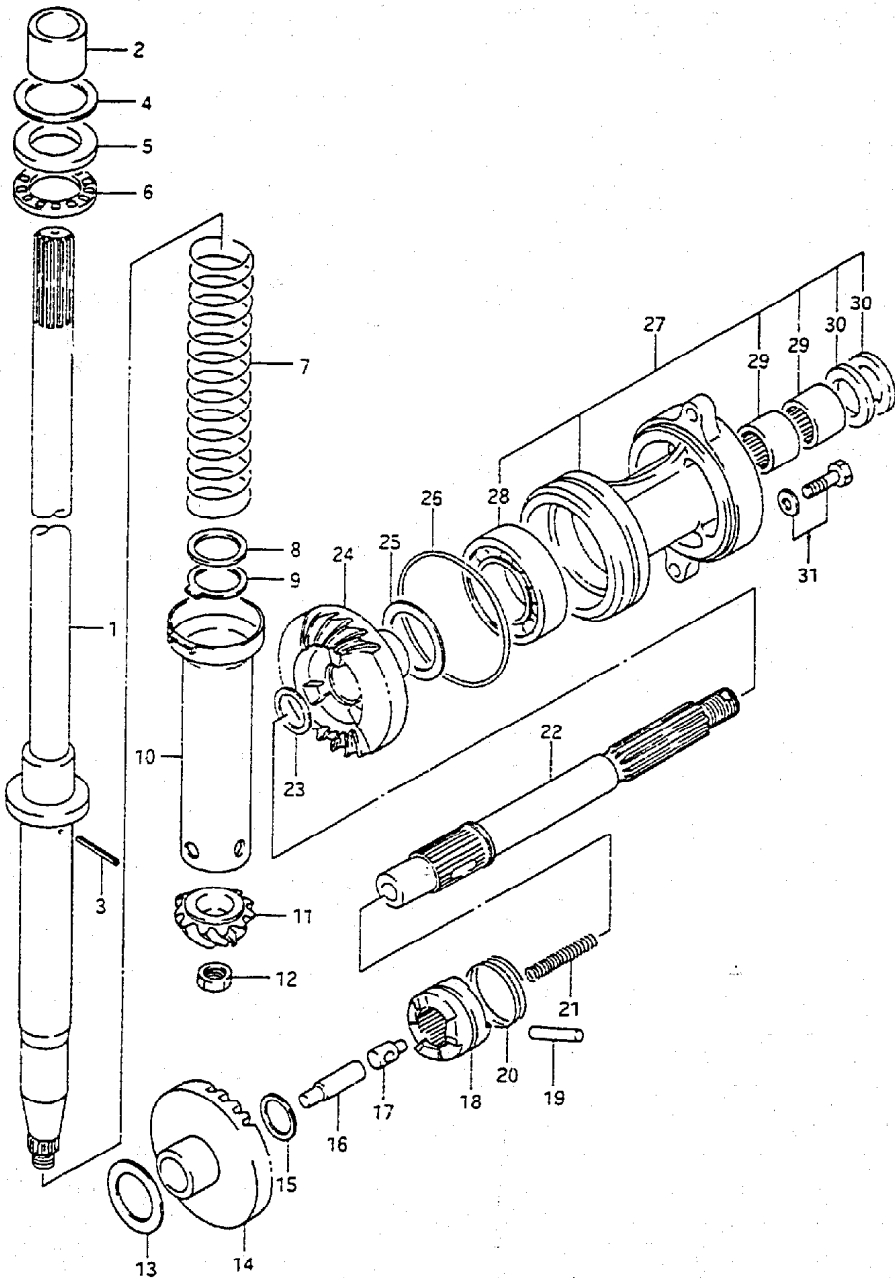


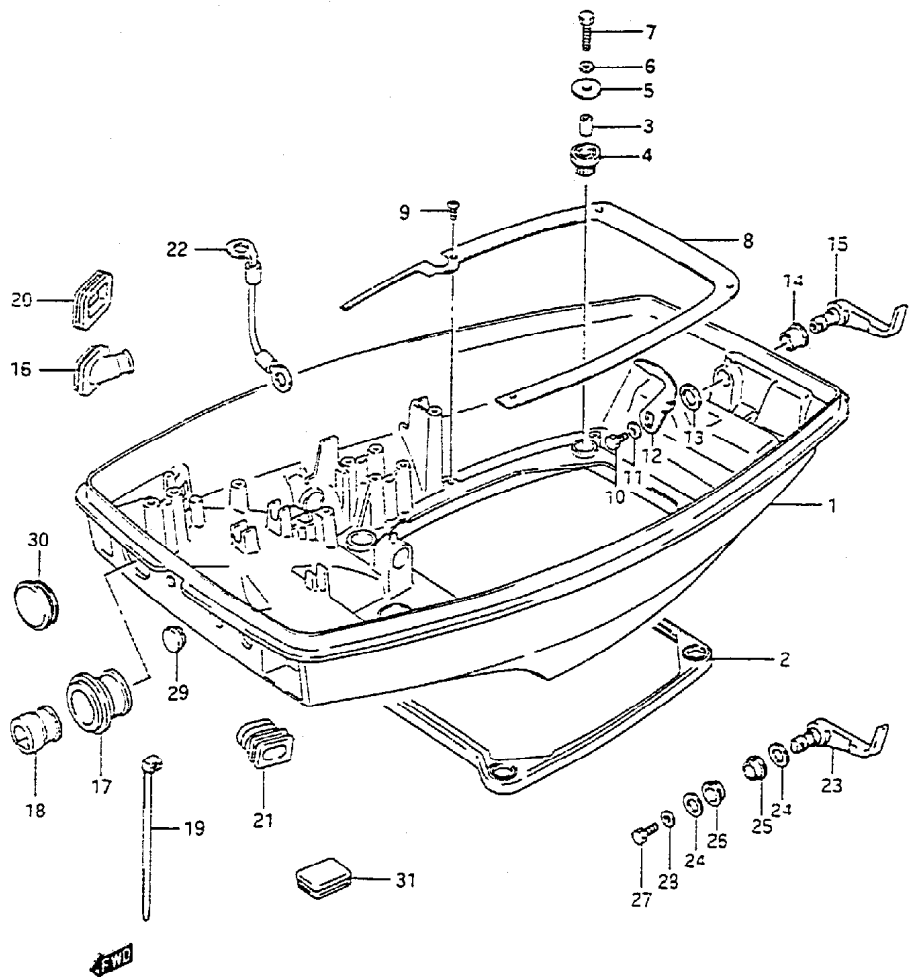
FIG. 29 ( F-14) TRANSMISSION

REF.NO.	PART NO.	DESCRIPTION	Q'TY	REMARKS
18-1	57621-94400	SHIFTER, CLUTCH DOG	1	~716481 →57621-94403 USED WITH 09440-40002
18-2	57621-94403	SHIFTER, CLUTCH DOG	1	716482~
19	09202-05022	PIN	1	
20-1	09440-41002	SPRING	1	~716481
20-2	09440-40002	SPRING	1	716482~
21	09440-08034	SPRING	1	
22-1	57610-94400	SHAFT, PROPELLER	1	→57610-94401 USED WITH 09141-18005
22-2	57610-94401	SHAFT, PROPELLER	1	233196-
23-1	09160-22018	WASHER (22.5X28X1.8)	0~1	
23-2	09160-22019	WASHER (22.5X28X1.9)	0~1	
23-3	09160-22020	WASHER (22.5X28X2)	0~1	
23-4	09160-22021	WASHER (22.5X28X2.1)	0~1	
23-5	09160-22022	WASHER (22.5X28X2.2)	0~1	
23-6	09160-22023	WASHER (22.5X28X2.3)	0~1	
24	57521-94401	GEAR, REVERSE	1	
25-1	08221-35455	SHIM (35X45X0.5)	0~1	
25-2	09181-35131	SHIM (35X45X0.6)	0~1	
25-3	09181-35010	SHIM (35X45X0.7)	0~1	
25-4	09181-35132	SHIM (35X45X0.7)	0~1	MODEL:97,98
25-5	08221-35456	SHIM (35X45X0.8)	0~1	
25-6	09181-35136	SHIM (35X45X0.9)	0~1	
25-7	08211-35451	THRUST WASHER (35X45X1)	0~1	
26	09280-75001	O RING (D:3.3, ID:75)	1	
27	56120-94320-OED	HOUSING SET, PROPELLER SHAFT	1	
28-1	09262-35021-OAO	.BEARING	1	MODEL:86-90
28-2	08113-60070	.BEARING	1	MODEL:91-98
29	09263-22020	.BEARING (22.2X28.5X19)	2	
30	09289-22007	.OIL SEAL	2	
31	09117-08047	BOLT (8X30)	2	

COLOR : OED (GRAY)

FIG.30

FIG.30 ( G- 2) LOWER COVER

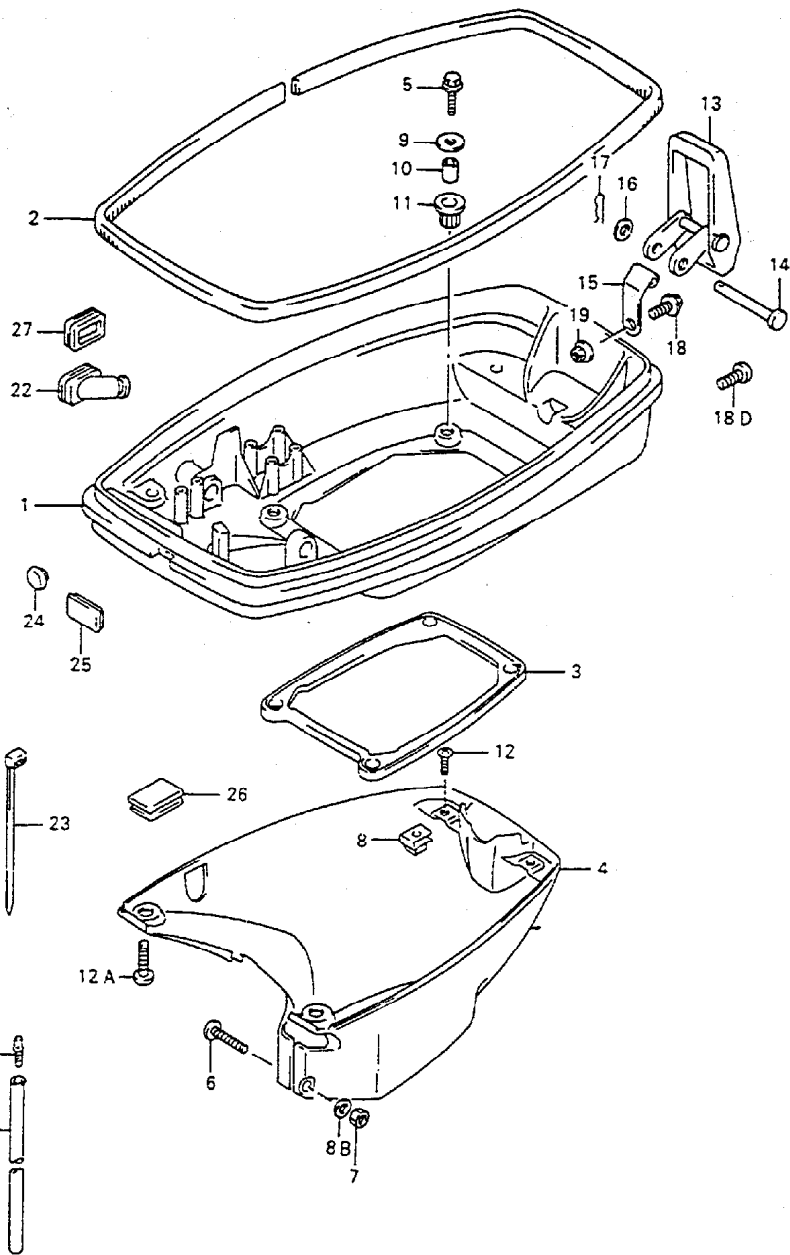


REF.NO.	PART NO.	DESCRIPTION	Q'TY	REMARKS
1	61111-94432-0ED	COVER, ENGINE LOWER (GRAY)	1	
2	61113-94400	SEAL, ENGINE LOWER COVER	1	
3	09180-06295	SPACER	4	
4	09320-10035	CUSHION	4	
5	09160-06104	WASHER	4	
6	09162-06006	LOCK WASHER	4	
7	09100-06121	BOLT	4	
8	61138-94402	COVER, WATER	1	
9	03242-05103	SCREW	4	
10	01500-06127	BOLT	1	
11	09160-06084	WASHER	1	
12	61631-94410	HOOK, ENGINE COVER	1	
13	09164-13005	WASHER	1	
14	09306-13007	BUSH	1	
15	61633-93930-0ED	LEVER, HOOK (GRAY)	1	
16	33811-94400	GROMMET, STARTER CABLE	1	
17	36612-94400	GROMMET, REMOCON HARNESS	1	DT40TC, 4ORC →36612-94421 USED WITH 09250-08001
18	36612-94421	GROMMET, REMOCON HARNESS	1	DT40TC, 4ORC
19	09407-25402	CLAMP	1	
20	63625-94300	CAP, THROTTLE CABLE	1	DT40TC
21	63625-94430	GROMMET, THROTTLE CABLE	1	
22	36895-94400	LEAD, ENGINE GROUND	1	
23	61633-93911-0ED	LEVER, HOOK (GRAY)	1	MODEL:90~96
24	09164-13005	WASHER	2	MODEL:90~96
25	09306-13005	BUSH, OUTSIDE	1	MODEL:90~96
26	09306-13006	BUSH, INSIDE	1	MODEL:90~96
27	01550-06127	BOLT	1	MODEL:90~96
28	09160-06084	WASHER	1	MODEL:90~96
29	09250-13005	CAP	2	
30	09250-33001	CAP	1	MANUAL STARTER
31	39669-94400	PLUG	1	

REFER TO FIG.30A(G-3) FOR MODEL:97,98

FIG.30A

FIG.30A( G- 3) LOWER COVER (MODEL:97,98)



REF.NO.	PART NO.	DESCRIPTION	Q'TY	REMARKS
1	61111-94450-0ED	COVER, ENGINE LOWER (GRAY)	1	
2-1	61112-94410	RUBBER, ENGINE LOWER COVER	1	
2-2	61112-94411	RUBBER, ENGINE LOWER COVER	1	MODEL:98
3	61113-94400	SEAL, ENGINE LOWER COVER	1	
4	61131-94401-0ED	COVER, ENGINE HOLDER (GRAY)	1	
5	09100-06121	BOLT	4	
6	09125-05126	SCREW (5X45)	1	
7	09140-05005	NUT	1	
8	09148-06015	NUT	2	
8B	09160-05029	WASHER (5.5X12X0.8)	1	
9	09160-06104	WASHER (6.5X24X2.0)	4	
10	09180-06295	SPACER	4	
11	09320-10035	CUSHION	4	
12	02142-06207	SCREW	2	REAR
12A	09125-06069	SCREW (6X12)	2	FRONT
13	61610-93900-019	FASTENER (BLACK)	1	
14	61616-93E00	PIN, LEVER	1	
15	61642-93902	HOLDER, FASTENER LEVER	1	
16	09161-04012	WASHER	1	
17	09385-04004	PIN, SNAP	1	
18	01550-06167	BOLT	1	
18D	02142-06207	SCREW	1	MODEL:98
19-1	08316-10067	NUT	1	
19-2	08310-00067	NUT	1	MODEL:98
20	61155-94500	TUBE, WATER INSP	1	
21	09352-50903-600	HOSE	1	L:600-50
22	33811-94400	GROMMET, STARTER CABLE	1	
23	09407-25402	CLAMP	1	
24-1	09250-13005	CAP	2	OIL LAMP HOLE EMG SW HOLE
24-2	09250-12006	CAP	2	MODEL:98
25-1	39669-94400	PLUG, LOWER COVER	1	ELECTRIC STARTER
25-2	39669-94400	PLUG, LOWER COVER	2	MANUAL STARTER
26	09250-33001	CAP, IG SW HOLE	1	MANUAL STARTER
27	63625-94300	CAP, THROTTLE CABLE	1	

DT40C E3

FIG.31

FIG.31 ( G- 4) ENGINE COVER (MODEL:86-88)

Q'TY

REF.NO.	PART NO.	DESCRIPTION	Q'TY	REMARKS
1-1	61403-94870-02M	COVER SET, ENGINE	1	MODEL:86,87 →61410-94452-0ED USED WITH 61631-94410
1-2	61403-94872-02M	COVER SET, ENGINE	1	MODEL:88 →61410-94452-0ED
2	61421-94421-019	.EMBLEM, ENGINE COVER FRONT	1	MODEL:86-87
3	61422-95570-8EF	.MARK, FRONT EMBLEM,UPPER	1	
4-1	03242-05103	.SCREW, UPPER	2	
4-2	03242-05123	.SCREW, LOWER	2	
5	68112-43400-019	.EMBLEM, SUZUKI	2	
6	61442-94600-019	.EMBLEM, OIL INJECTION	2	
7	09160-05024	.WASHER (5.5X16X1.5)	4	
8	61443-94450-70G	.DECAL, COVER STBD	1	
9	61453-94450-70G	.DECAL, COVER PORT	1	
10	61435-94450-70G	.MARK, EMBLEM,REAR	1	
11	61481-94410-0ED	.LID, OIL TANK FILLER	1	
12	61482-94400	.HINGE, OIL FILLER LID	1	
13	61485-94400	.SPRING, OIL FILLER LID	1	
14	09125-05028	.SCREW	2	
15	09160-05024	.WASHER (5.5X16X1.5)	2	
16	09140-05005	.NUT	2	
17	09321-05019	.CUSHION	2	
18	61610-94420	.FASTENER	1	
19	01550-06127	.BOLT (6X12)	1	
20	61622-94400	.SEAL, RECOIL STARTER	1	
21	61491-94400	.SEAL, LID OIL FILLER	1	
22	21131-96003	.MARK, CLUTCH SHIFT	1	
23	61112-94303	RUBBER, ENGINE LOWER COVER	1	
24	09800-01001	TOOL SET	1	

REFER TO FIG.32 (G- 5) FOR MODEL:89-93  
 REFER TO FIG.32A(G- 7) FOR MODEL:94-96  
 REFER TO FIG.32B(G- 8) FOR MODEL:97,98  
 COLOR : 02M (SILVER) 70G (764/019)  
 019 (BLACK) 26J (GRAY)  
 8EF (26J/26K) 26K (CHARCOAL)  
 26G (BLACK) 764 (GOLD)

DT40C E3

50

G 4

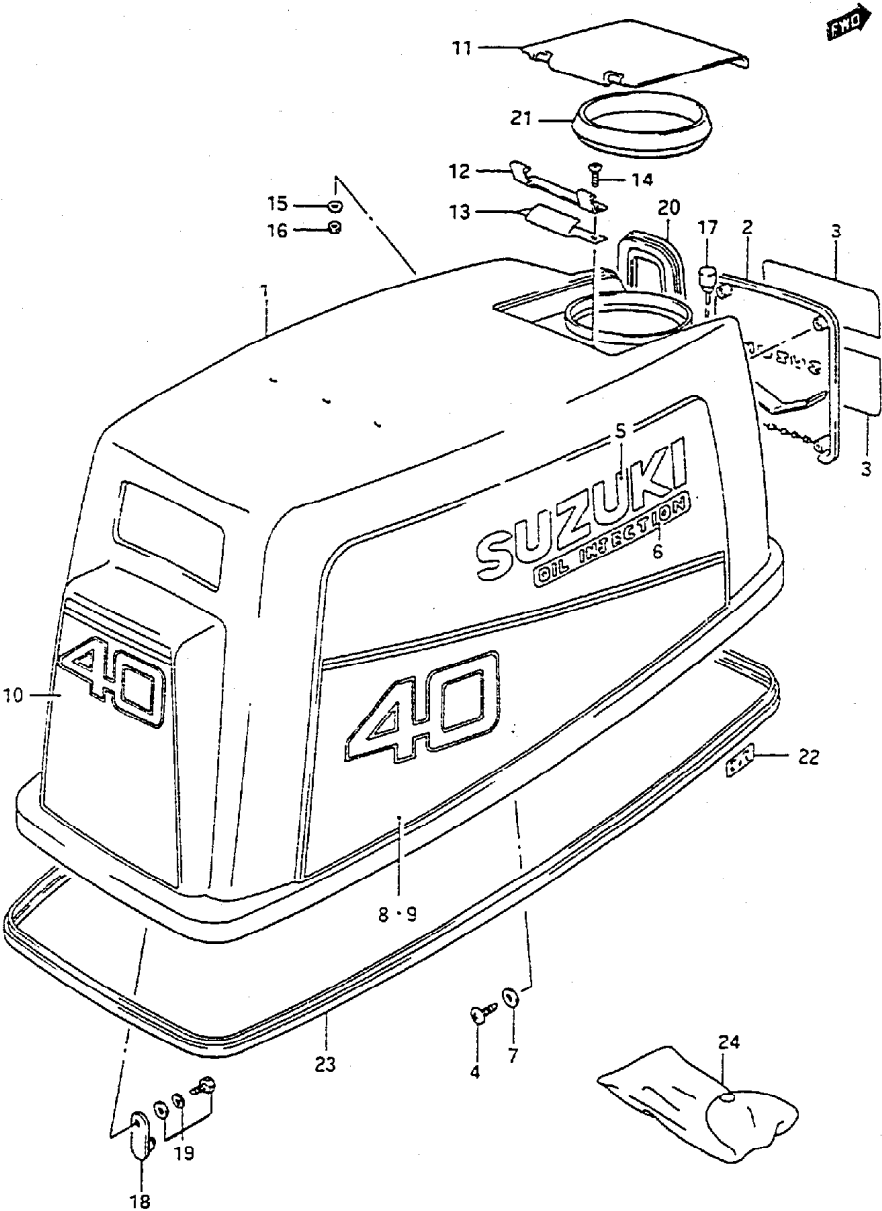
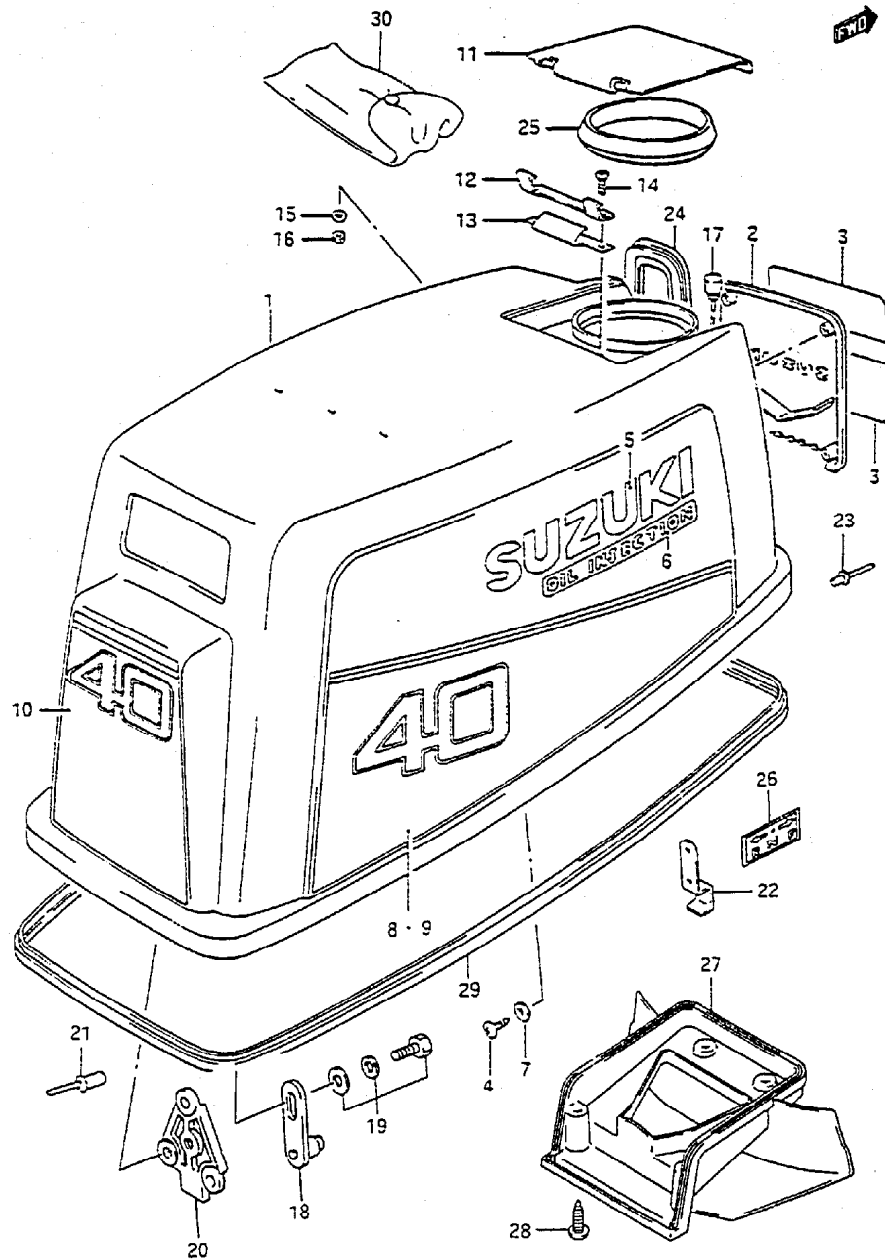


FIG. 32

FIG. 32 ( G- 5) ENGINE COVER (MODEL:89-93)



REF.NO.	PART NO.	DESCRIPTION	Q'TY	REMARKS
1	61406-94856-OED	COVER SET, ENGINE	1	
2	61421-94421-019	.EMBLEM, COVER FRONT	1	
3	61422-95570-12R	.MARK, EMBLEM FRONT	1	
4	03242-05103	.SCREW	4	
5	61441-95560-764	.EMBLEM, SUZUKI	2	
6	61442-94600-764	.MARK, OIL INJECTION	2	
7	09160-05029	.WASHER (5.5X16X1.5)	4	
8	61443-94450-70G	.DECAL, COVER STBD	1	
9	61453-94450-70G	.DECAL, COVER PORT	1	
10	61435-94450-70G	.MARK, EMBLEM REAR	1	
11	61481-94410-OED	.LID, OIL TANK FILLER	1	
12	61482-94400	.HINGE, OIL FILLER LID	1	
13	61485-94400	.SPRING, OIL FILLER LID	1	
14	09125-05028	.SCREW, FILLER LID	2	
15	09160-05024	.WASHER (5.5X16X1.5)	2	
16	09140-05005	.NUT	2	
17	09321-05019	.CUSHION	2	
18	61610-94420	.FASTENER	1	
19	01550-06127	.BOLT (6X12)	1	
20	61621-96303	.BRACKET, FASTENER	1	
21	09229-04025	.RIVET, FASTENER	3	
22	61412-96300	.HOOK, COVER	1	
23	09229-04018	.RIVET, HOOK	2	

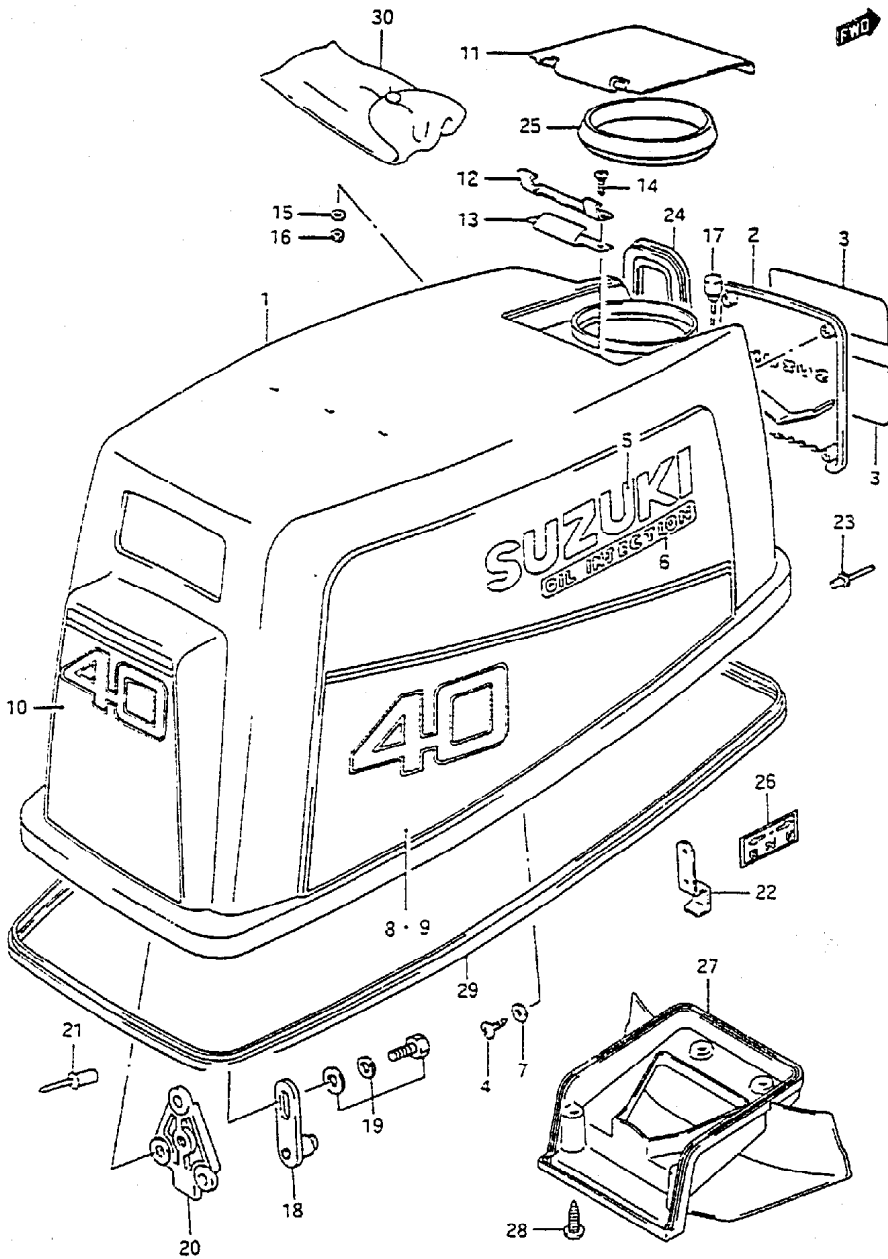
COLOR : OED (GRAY)  
 019 (BLACK)  
 12R (SILVER)  
 764 (GOLD)  
 70G (764/019)

FIG. 32

FIG. 32 ( G- 6) ENGINE COVER (MODEL:89~93)

QTY

REF.NO.	PART NO.	DESCRIPTION	QTY	REMARKS
24-1	61622-94400	.SEAL, RECOIL STARTER	1	MODEL:89,90
24-2	61622-95500	.SEAL, RECOIL STARTER	1	MODEL:91~93
25	61491-94400	.SEAL, LID OIL TILLER	1	
26	21131-96003	.MARK, CLUTCH SHIFT	1	
27	61433-94422	.COVER, AIR INTAKE INNER	1	
28	03242-04123	.SCREW	4	
29	61112-94303	RUBBER, ENGINE LOWER COVER	1	
30	09800-01001	TOOL SET	1	

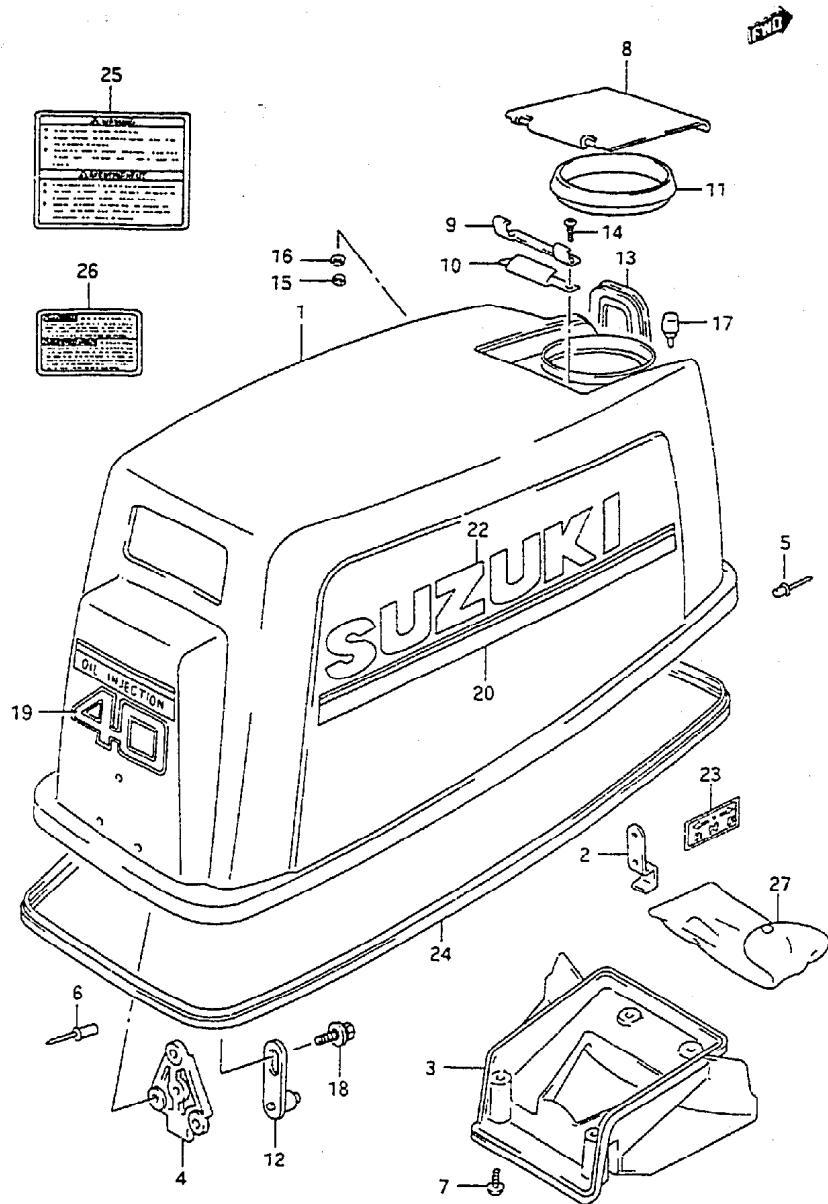


DT40C E3

52

FIG. 32 A

FIG. 32A( G- 7) ENGINE COVER (MODEL:94-96)

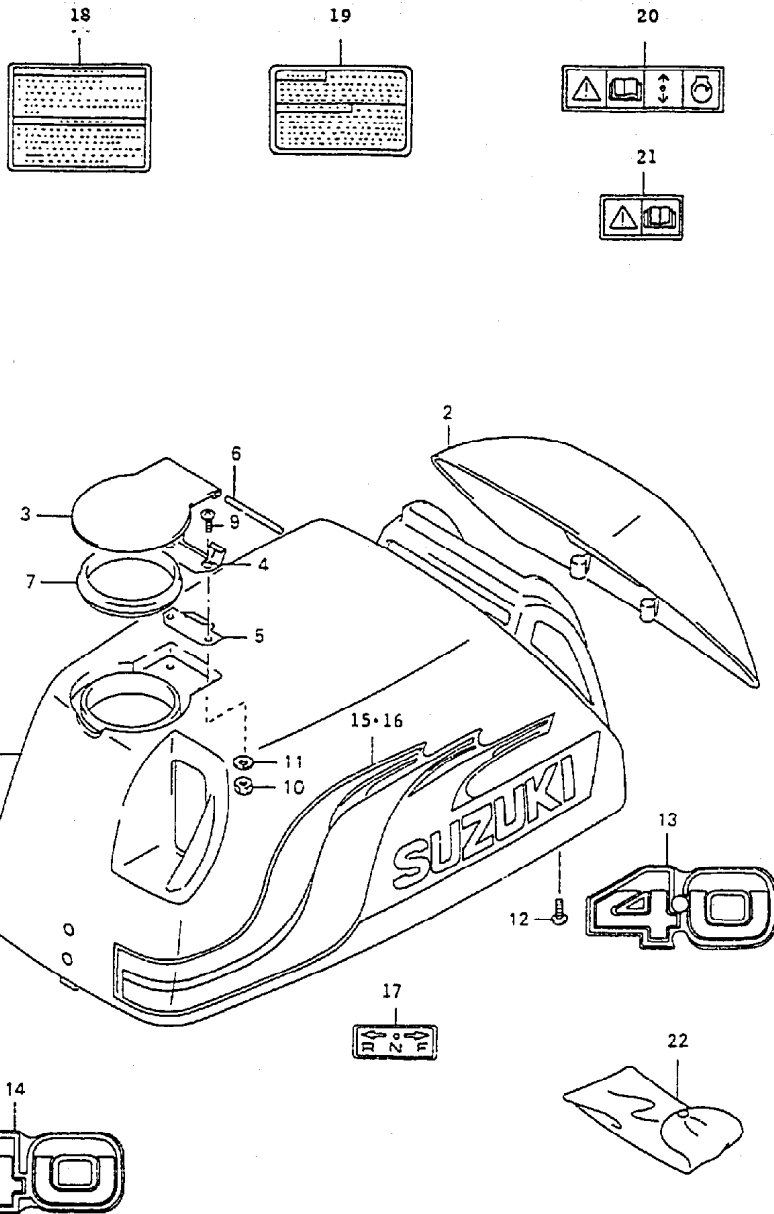


REF.NO.	PART NO.	DESCRIPTION	Q'TY	REMARKS
1	61410-94864-OED	COVER SET, ENGINE	1	
2	61412-96300	.HOOK, ENGINE COVER	1	
3	61433-94422	.COVER, AIR INTAKE INNER	1	
4	61621-96303	.BRACKET, FASTENER	1	
5	09229-04018	.RIVET	2	
6	09229-04025	.RIVET	3	
7	03242-04123	.SCREW	4	
8	61481-94410-OED	.LID, OIL TANK FILLER	1	
9	61482-94400	.HINGE, OIL FILLER LID	1	
10	61485-94400	.SPRING, OIL FILLER LID	1	
11	61491-94400	.SEAL, OIL FILLER LID	1	
12	61610-94420	.FASTENER	1	
13	61622-95500	.SEAL, RECOIL STARTER RUBBER	1	
14	09125-05046	.SCREW	2	
15	09140-05005	.NUT	2	
16	09160-05024	.WASHER	2	
17	09321-05019	.CUSHION	2	
18	01580-06127	.BOLT	1	
19	61435-97E01	.MARK, EMBLEM REAR	1	
20	61440-91D00	.STRIPE SET	1	
22	68181-33C20-1RR	.EMBLEM, SUZUKI	2	
23	21131-96003	.MARK, CLUTCH SHIFT	1	
24	61112-94303	RUBBER, ENGINE LOWER COVER	1	
25	61581-98610	MARK, SAFETY WARNING	1	
26	61582-98100	MARK, WARNING	1	
27	09800-01001	TOOL SET	1	

COLOR : OED (GRAY)  
1RR (GOLD)

FIG. 32 B

FIG. 32B ( G- 8) ENGINE COVER (MODEL:97,99)



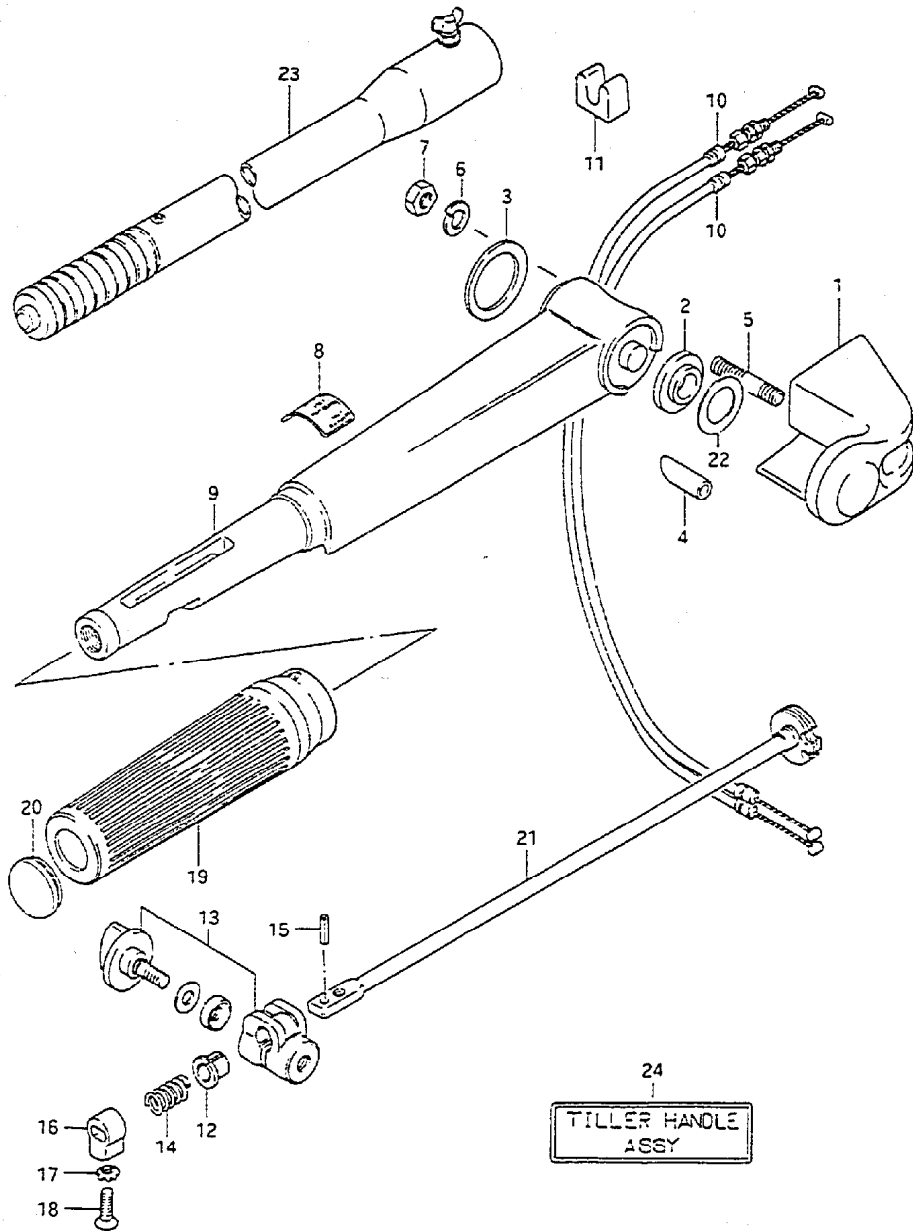
REF.NO.	PART NO.	DESCRIPTION	Q'TY	REMARKS
1	61420-94851-0ED	COVER SET, ENGINE (GRAY)	1	
2	61431-94400-019	.HANDLE, TILT UP (BLACK)	1	
3	61481-94420-0ED	.LID, OIL TANK FILLER (GRAY)	1	
4	61482-94411	.HINGE, OIL FILLER LID	1	
5	61485-94411	.SPRING, OIL FILLER LID	1	
6	61488-94400	.PIN, OIL FILLER LID	1	
7	61491-94400	.SEAL, OIL FILLER LID	1	
8	61622-95500	.SEAL, RECOIL STARTER	1	
9	09125-05046	.SCREW	2	
10	09140-05005	.NUT	2	
11	09160-05024	.WASHER	2	
12	03542-06163	.SCREW	4	
13	61435-97E20	.MARK, EMBLEM RR	1	
14	61435-97E40	.MARK, EMBLEM FR	1	
15	61440-97E00	.STRIPE SET	1	
16-1	61443-97E00	..STRIPE, STBD	1	
16-2	61453-97E00	..STRIPE, PORT	1	
17	21131-96003	.MARK, CLUTCH SHIFT	1	
18	61581-98610	MARK, SAFETY WARNING	1	
19	61582-98100	MARK, WARNING	1	
20	69711-93E00	LABEL, CAUTION	1	DT40C
21	69712-93E00	LABEL, CAUTION	1	DT40TC, 40RC
22-1	09800-01001	TOOL SET	1	
22-2	09800-01008	TOOL SET	1	MANUAL STARTER

DT40C E3



FIG. 33

FIG.33 ( H- 2) TILLER HANDLE



REF.NO.	PART NO.	DESCRIPTION	Q'TY	REMARKS
1	63121-96302-OED	COVER, TILLER HANDLE (GRAY)	1	
2	63114-94300	SPACER, HANDLE COVER	1	
3	63115-96310	SPACER	1	
4	63117-96300	COVER, STOP SWITCH WIRE	1	
5	09108-08147	STUD BOLT	2	
6	09162-08007	LOCK WASHER	2	
7	09140-08016	NUT	2	
8	63215-93400	MARK, HANDLE GRIP	1	
9	63111-96313-OED	HANDLE, TILLER (GRAY)	1	
10	63610-94402	CABLE ASSY, THROTTLE	2	
11	63627-94400	GUIDE, THROTTLE CABLE	1	
12	63225-93200	BUSH, HANDLE ROD	1	
13	63240-96300	ADJUSTER, HANDLE GRIP	1	
14	09440-12027	SPRING	1	
15	63227-93200	PIN, HANDLE ROD	1	
16	63223-92000	STOPPER, HANDLE ROD	1	
17	09163-06001	LOCK WASHER	1	
18	09126-06006	SCREW	1	
19	63210-93E00	GRIP, HANDLE	1	
20	09250-25001	CAP	1	
21	63220-96301	ROD, HANDLE	1	
22-1	63118-94300	SHIM (0.3)	1	
22-2	63118-94310	SHIM (0.5)	1	OPT
24	63001-94411-02M	TILLER HANDLE ASSY (SILVER)	1	OPT, NOT SHOWN

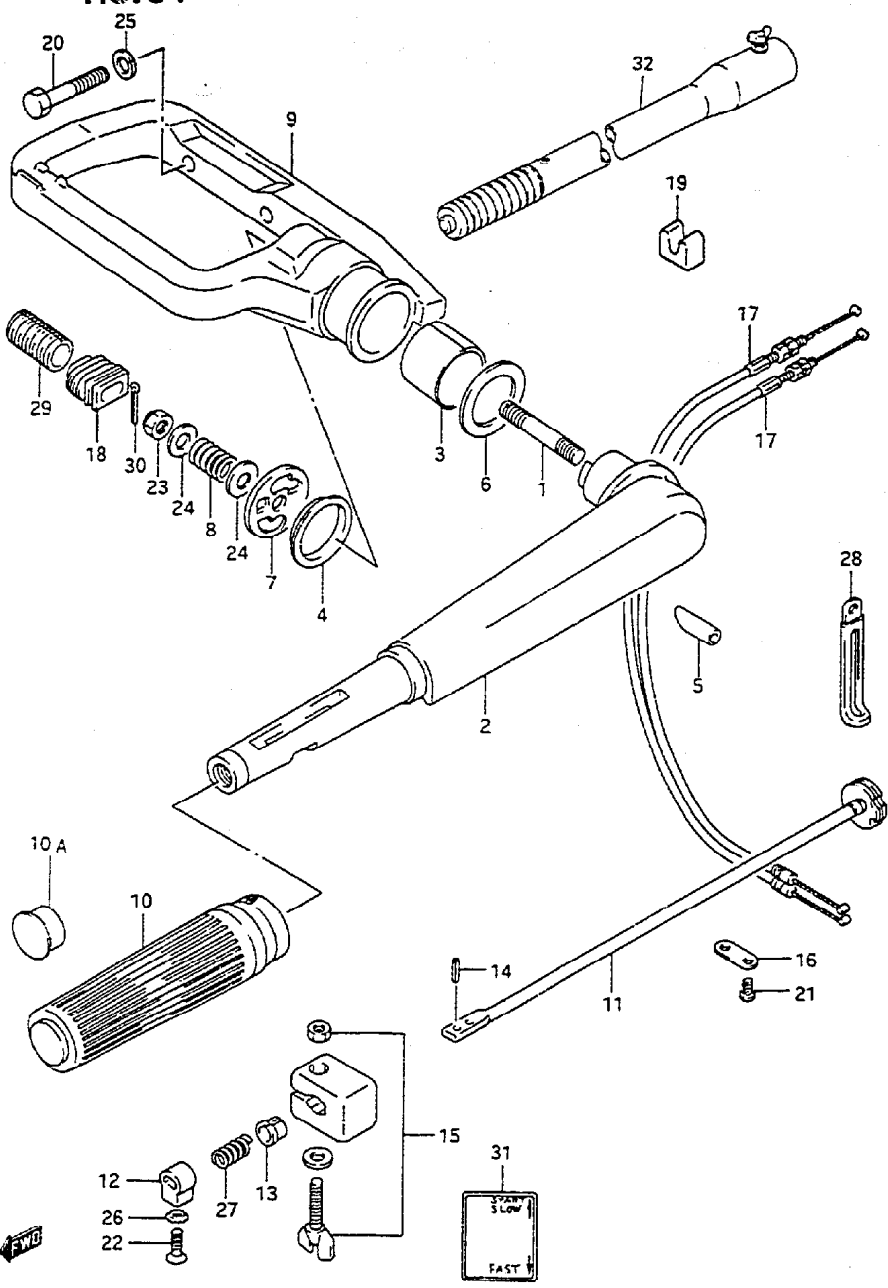
REFER TO FIG.34(H-3) FOR MODEL:93-98

FIG. 34

FIG. 34 ( H- 3) TILLER HANDLE (MODEL:93~98)

Q'TY

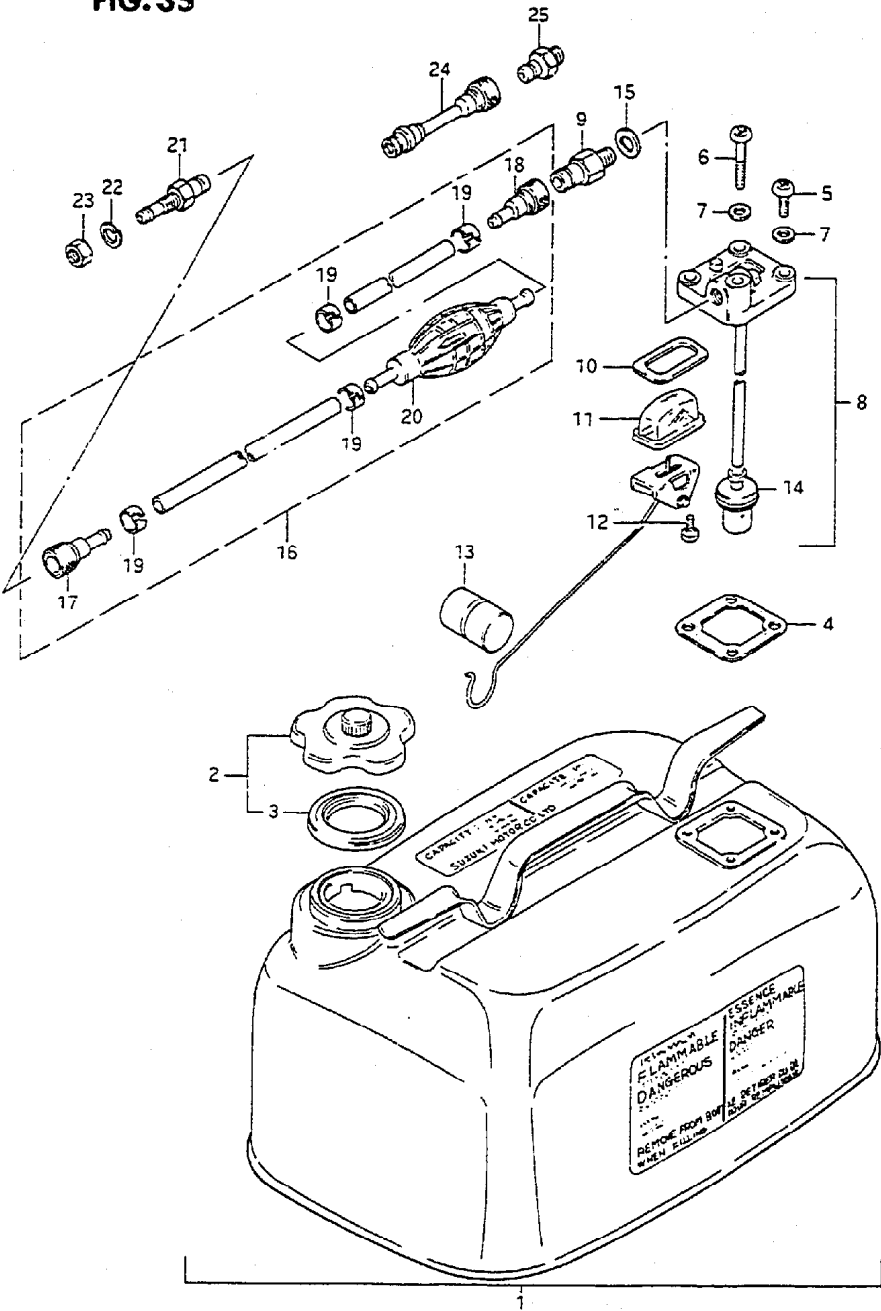
REF.NO.	PART NO.	DESCRIPTION	Q'TY	REMARKS
1	63127-97E00	BOLT, HANDLE STUD	1	
2	63111-97E03-OED	HANDLE, TILLER (GRAY)	1	
3	63115-97E00	BUSH, TILLER HANDLE	1	
4	63116-97E00	WASHER, TILLER HANDLE NO.1	1	
5	63117-96301	COVER, STOP SWITCH WIRE	1	
6	63117-97E01	WASHER, TILLER HANDLE NO.2	1	
7	63125-97E01	PLATE, TILLER HANDLE	1	
8	63126-97E00	SPRING, HANDLE STUD	1	
9	63131-97E02-OED	BRACKET, TILLER HANDLE (GRAY)	1	
10	63210-93E00	GRIP, HANDLE	1	
10A	63213-94400	.CAP	1	
11	63220-96301	ROD, HANDLE	1	
12	63223-92D00	STOPPER, HANDLE ROD	1	
13	63225-93200	BUSH, HANDLE ROD	1	
14	63227-93200	PIN, HANDLE ROD	1	
15	63240-97E00	ADJUSTER, HANDLE GRIP	1	
16	63241-92D00	SUPPORT, HANDLE ROD	1	
17	63610-94402	CABLE, THROTTLE	2	
18-1	63625-94430	GROMMET, THROTTLE CABLE	1	
18-2	63625-96300	GROMMET, THROTTLE CABLE	1	MODEL:98
19	63627-94400	GUIDE, THROTTLE CABLE	1	
20	09100-10155	BOLT, HANDLE BRACKET	2	
21	09125-05046	SCREW, HANDLE ROD SUPPORT	2	
22	09126-06015	SCREW	1	
23	09159-10050	NUT, LOCK	1	
24	09160-10082	WASHER, HANDLE STUD	2	
25	09162-10005	WASHER, LOCK	2	
26	09163-06001	WASHER, HANDLE GRIP SCREW	1	
27	09440-12027	SPRING, HANDLE ROD	1	
28	09404-06433	CLAMP, THROTTLE CABLE	1	
29	63128-97E00	COVER, HANDLE NUT	1	
30	09204-01002	COTTER PIN	1	
31	63215-93400	MARK, HANDLE GRIP	1	



DT40C E3

FIG. 35

FIG. 35 ( H- 4) FUEL TANK (MODEL:86,87)

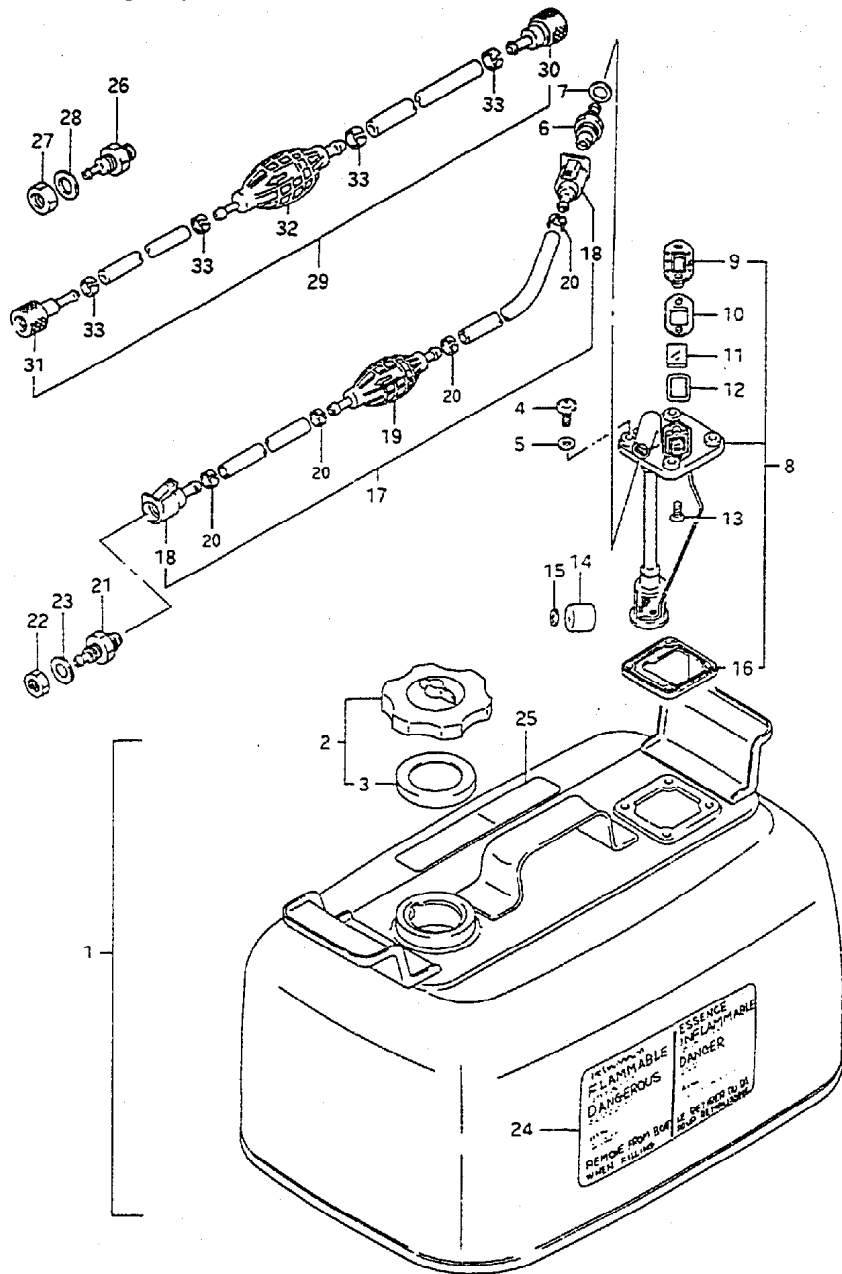


REF.NO.	PART NO.	DESCRIPTION	Q'TY	REMARKS
1	65800-92854	TANK SET, FUEL (23L)	1	6 U.S.GAL/5.1 IMP.GAL
2	65510-92000	.CAP ASSY	1	
3	65561-92000	.GASKET	1	
4	65871-93010	.GASKET, FUEL GAUGE	1	
5	02112-06167	.SCREW	3	
6	02112-06407	.SCREW	1	
7	09168-06004	.GASKET (6X11.8X1.5)	4	
8	65850-95506	.GAUGE ASSY, FUEL	1	->65850-95X50 USED WITH 65740-95500, 09168-12015
9	65740-95500	..CONNECTOR, MALE FUEL	1	M12,OD:13
10	65854-93001	..GASKET	1	
11	65853-93001	..STRAINER, FUEL GAUGE	1	
12	02112-04107	..SCREW	2	
13	65864-95200	..FLOAT	1	
14	65830-95500	..FILTER	1	
15	09168-12001	..GASKET (12.5X20X1)	1	
16	65700-95206	HOSE ASSY, FUEL	1	->65700-87D17
17	65750-98505	.CONNECTOR, FEMALE FUEL	1	ID:11
18	65750-93000	.CONNECTOR, FEMALE FUEL	1	ID:13
19	65781-98500	.CLIP	4	
20	65770-99703	.PUMP, SQUEEZE	1	
21	65720-98520	CONNECTOR, MALE FUEL	1	OD:11
22	08321-01107	LOCK WASHER	1	
23	08310-00107	NUT	1	
24	65700-95271	HOSE, FUEL JOINT	1	OPT
25	65720-98590	CONNECTOR, MALE FUEL	1	OPT,OD:11

REFER TO FIG. 36 (H- 5) FOR MODEL:88~92  
REFER TO FIG. 37 (H- 7) FOR MODEL:93~98/PLASTIC

FIG. 36

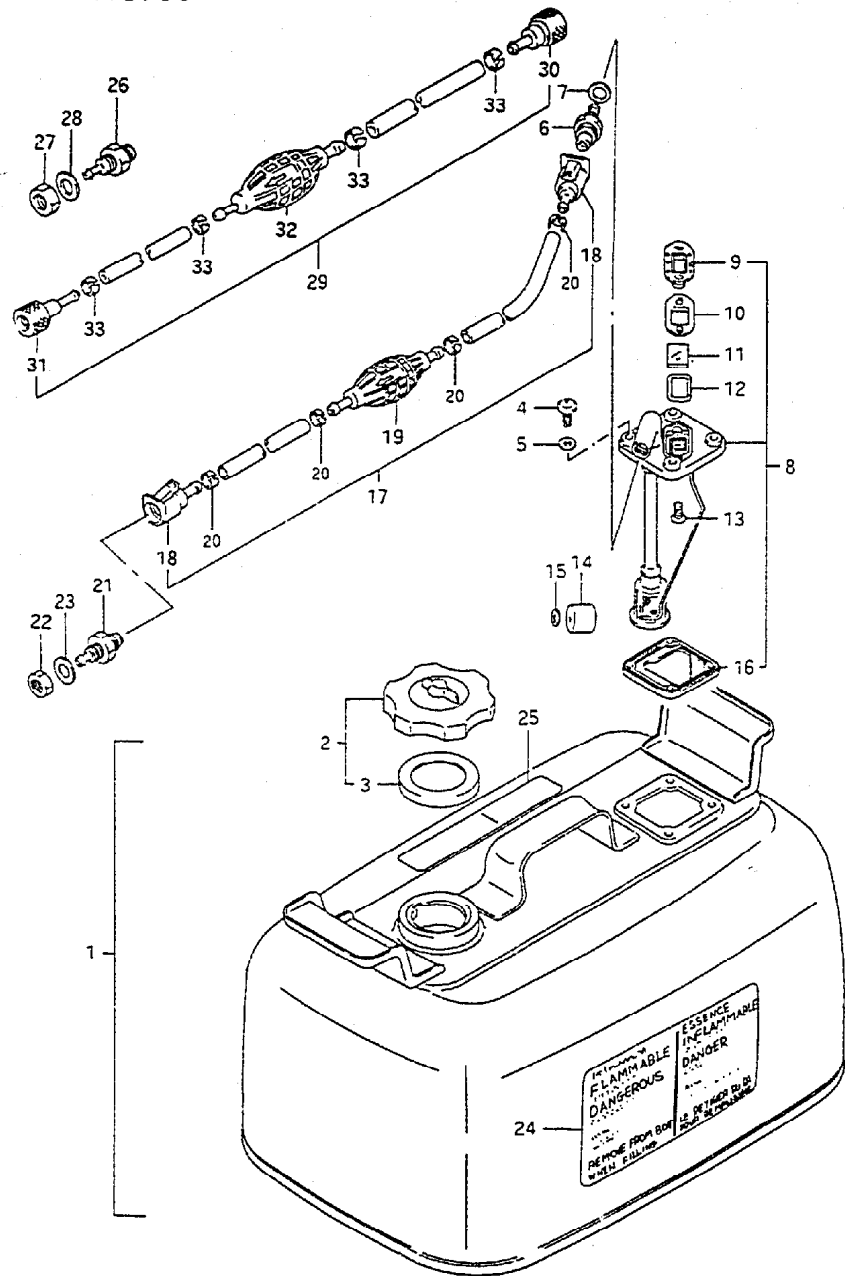
FIG. 36 ( H- 5) FUEL TANK (MODEL:88~92)



REF.NO.	PART NO.	DESCRIPTION	Q'TY	REMARKS
1	65800-92823	TANK SET, FUEL (24L)	1	6.3 U.S GAL/5.2 IMP GAL
2	65510-92D00	.CAP ASSY, SEPARATE TANK	1	
3	65561-92D00	..GASKET, TANK CAP	1	
4	02112-16167	.SCREW	4	
5	09168-06026	..WASHER	4	
6-1	65720-94411	.CONNECTOR, FUEL	1	
6-2	65740-95500	.CONNECTOR, FUEL	1	231489-
7	09168-12015	..GASKET, CONNECTOR	1	
8	65850-92D01	..GAUGE ASSY, FUEL	1	+65850-92D00
9-1	65855-92D00	..COVER, GAUGE	1	MODEL:88
9-2	65855-92D10	..COVER, GAUGE	1	MODEL:89~92
10-1	65854-92D10	..GASKET	1	MODEL:88
10-2	65854-92D20	..GASKET	1	MODEL:89~92
11	65853-92D00	..LENS	1	
12-1	65854-92D00	..GASKET, LENS	1	MODEL:88
12-2	65854-92D30	..GASKET, LENS	1	MODEL:89~92
13	03221-04083	..SCREW	2	
14	65864-92D00	..FLOAT	1	
15	65866-92D00	..NUT, PUSH	1	
16	65871-92D00	..GASKET, FUEL	1	
17	65700-87D16	HOSE, FUEL	1	
18	65750-94404	.CONNECTOR, FUEL	2	
19	65770-95504	.PUMP, SQUEEZE	1	
20	65781-98500	.CLIP	4	
21	65720-94401	CONNECTOR, FUEL	1	
22	08310-00107	NUT	1	
23	08321-01107	LOCK WASHER	1	
24	65316-93331	MARK, FUEL CAUTION	1	
25	65317-95260	MARK, FUEL CAPACITY	1	

FIG. 36

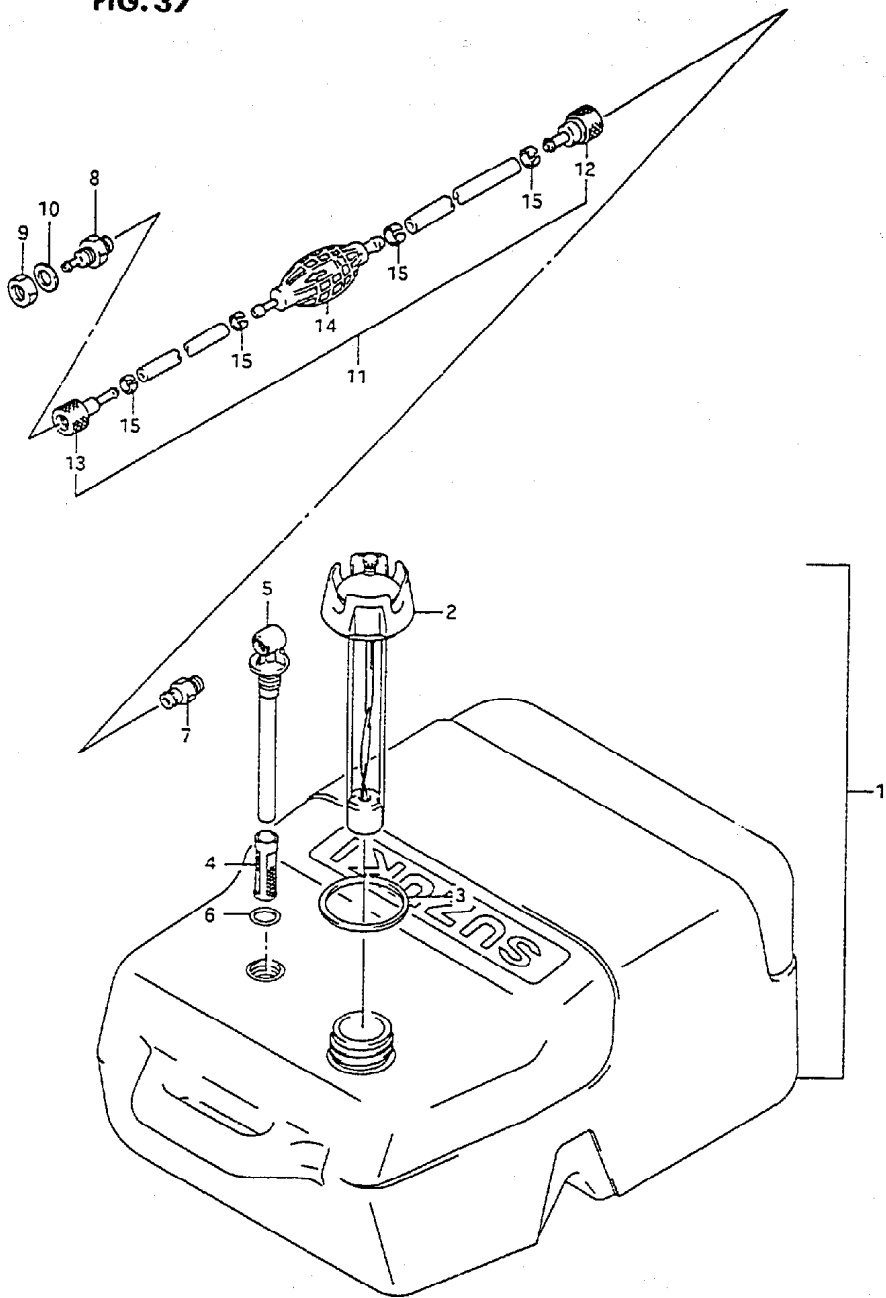
FIG. 36 ( H- 6) FUEL TANK (MODEL:88~92)



REF.NO.	PART NO.	DESCRIPTION	Q'TY	REMARKS
26	65720-98520	PLUG, FUEL CONNECTOR	1	231489~
27	09140-10032	NUT	1	231489~
28	08321-01107	LOCK WASHER	1	231489~
29	65700-87D17	HOSE, FUEL	1	231489~
30	65750-95500	.SOCKET, FUEL HOSE (IN)	1	231489~
31	65750-98505	.SOCKET, FUEL HOSE (OUT)	1	231489~
32	65770-95540	.PUMP, SQUEEZE	1	231489~
33	65781-98500	.CLIP	4	231489~

FIG. 37

FIG. 37 ( H- 7) FUEL TANK (MODEL:93-98/PLASTIC/25L)



REF.NO.	PART NO.	DESCRIPTION	Q'TY	REMARKS
1	65000-95001	TANK ASSY, FUEL (25L)	1	
2	65520-95000	.CAP ASSY, FUEL TANK	1	
3	65561-95000	.GASKET, TANK CAP	1	
4	65831-95000	.FILTER, OUTLET	1	
5	65890-95000	.OUTLET ASSY	1	
6	65892-95000	.O RING, FUEL OUTLET	1	
7	65740-95001	.PLUG, FUEL CONNECTOR	1	
8	65720-98520	PLUG, FUEL CONNECTOR	1	
9	09140-10032	NUT	1	
10	08321-01107	LOCK WASHER	1	
11	65700-87D17	HOSE, FUEL	1	
12	65750-95500	.SOCKET, FUEL HOSE (IN)	1	
13	65750-98505	.SOCKET, FUEL HOSE (OUT)	1	
14	65770-95540	.PUMP, SQUEEZE	1	
15	65781-98500	.CLIP	4	

FIG. 38

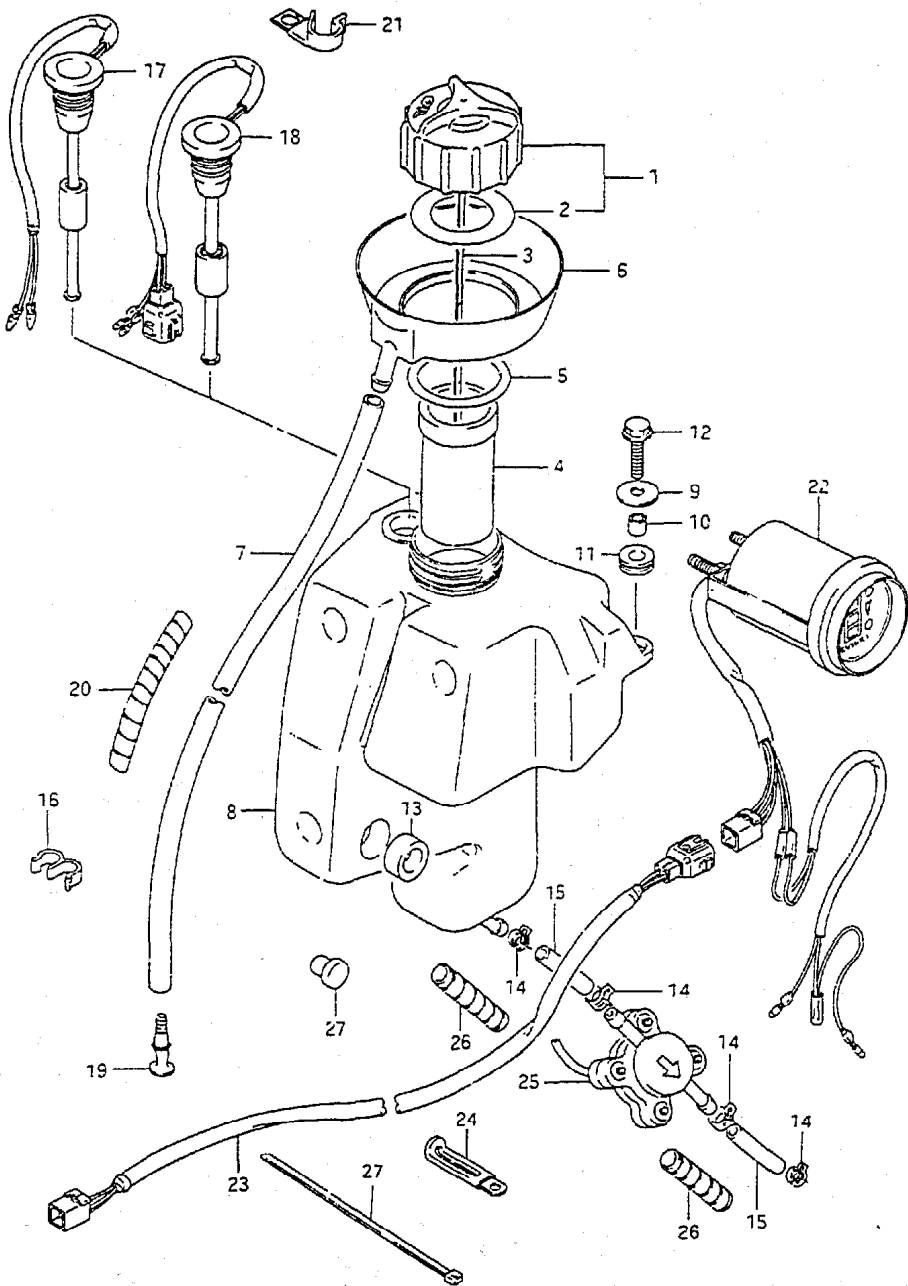


FIG. 38 ( H- 8) OIL TANK

QTY

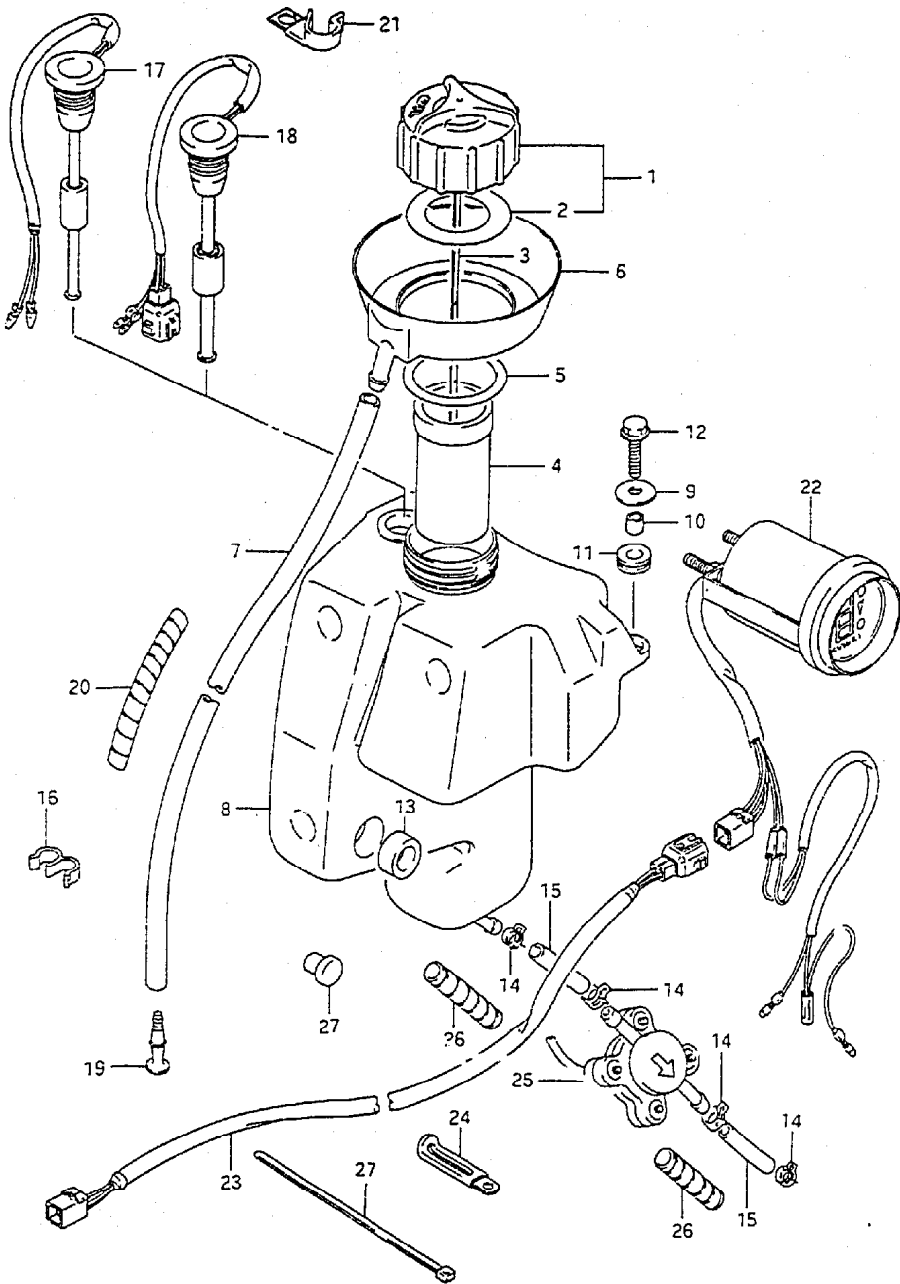
REF.NO.	PART NO.	DESCRIPTION	QTY	REMARKS
1	69200-94510	CAP ASSY, OIL TANK FILLER	1	
2	69241-94500	.GASKET, OIL TANK FILLER CAP	1	
3	69251-94401	GAUGE, OIL LEVEL	1	←69251-94400
4	69351-94400	TUBE, OIL TANK INLET	1	
5	09280-40008	O RING	1	
6	69355-94400	GUTTER, OIL TANK	1	
7	09352-50903-600	HOSE	1	L:600→540
8	69110-94400	TANK, OIL	1	
9	09160-06084	WASHER (8.5X18X1.5)	2	
10	09180-06310	SPACER (6.8X10X10)	2	
11	09320-10008	CUSHION	2	
12	02162-06257	BOLT	2	
13	09329-12004	CUSHION	1	
14-1	09401-08409	CLIP	4	~MODEL:94
14-2	09401-08411	CLIP	4	MODEL:95,96 ~653949
14-3	09401-10411	CLIP	4	653950~
15-1	09355-45857-600	HOSE	2	L:600→150 ~MODEL:94
15-2	09352-50903-600	HOSE	2	L:600→540 MODEL:95~98 ~653949
15-3	09355-50105-600	HOSE	2	L:600→230 653950~
16	09408-00033	CLAMP	1	
17	34860-94402	SWITCH ASSY, OIL LEVEL	1	DT40C
18-1	34860-94411	SWITCH ASSY, OIL LEVEL	1	DT40TC, 40RC ~MODEL:87
18-2	34860-94431	SWITCH ASSY, OIL LEVEL	1	DT40TC, 40RC, 716025~
19	36615-96300	TERMINAL	1	
20	38423-95510	TUBE (L:150)	1	L:150→100
21	09403-12308	CLAMP	1	
22-1	34700-94410	INDICATOR ASSY, OIL LEVEL	1	DT40TC, 40RC
22-2	34700-94421	INDICATOR ASSY, OIL LEVEL	1	DT40TC, 40RC, 716025~
22-3	34701-92X50	INDICATOR ASSY, OIL LEVER	1	DT40TC, 40RC, MODEL:89~92
22-4	34700-92E11	GAUGE ASSY, MONITORING	1	MODEL:93~98

DT40C E3

FIG. 38

FIG.38 ( H- 9) OIL TANK

Q'TY



REF.NO.	PART NO.	DESCRIPTION	Q'TY	REMARKS
23-1	36660-94400	WIRING, INDICATOR EXT	1	DT40TC,40RC L:6500 MODEL:86~88
23-2	36660-94410	WIRING, INDICATOR EXT	1	DT40TC,40RC,MODEL:89~92
23-3	36660-94480	WIRING, INDICATOR EXT	1	OPT,L:2000/DT40TC,40RC
23-4	36660-95610	WIRE, MONITOR GAUGE EXT	1	MODEL:93~98,L:7200
23-5	36660-92E90	WIRE, MONITOR GAUGE EXT	1	OPT,MODEL:93~98 L:1700
24	09404-06432	CLAMP	1	
25	16250-94710	SENSOR, OIL	1	
26-1	16911-92E20	PROTECTOR	2	L:540~110
26-2	16911-92E20	PROTECTOR	2	L:540~230 653950~
27	09407-12402	CLAMP	2	

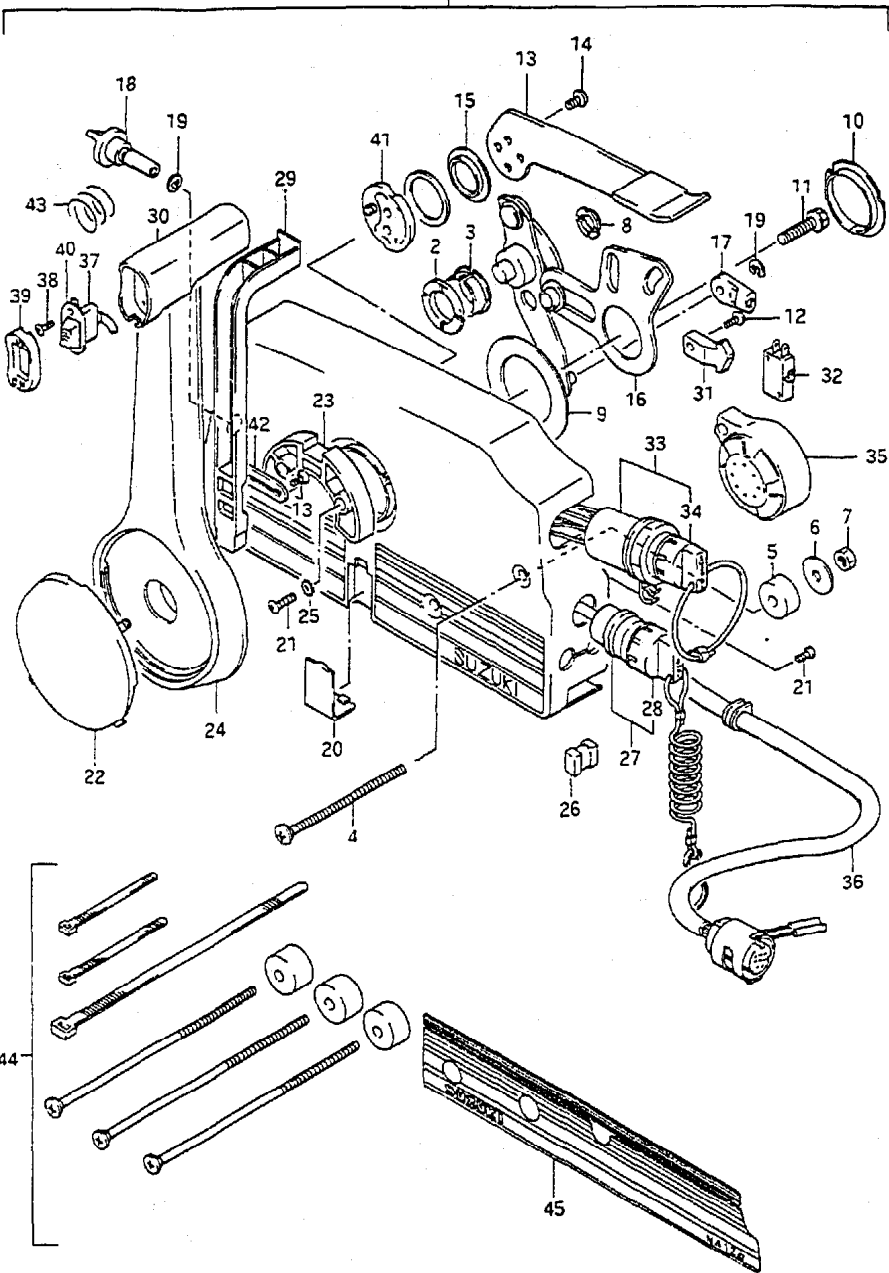
DT40C E3



FIG. 39

FIG. 39 ( H-10) REMOTE CONTROL

Q'TY



REF.NO.	PART NO.	DESCRIPTION	Q'TY	REMARKS
1-1	67200-87D12-OED	REMOTE CONTROL BOX ASSY	1	OPT,W/PTT SW →67200-87D30-OED
1-2	67200-94632-OED	REMOTE CONTROL BOX ASSY	1	OPT,N/PTT SW →67200-87D30-OED
1-3	67200-93961-OED	REMOTE CONTROL BOX ASSY	1	OPT (SHIFT AND THROTTLE ONLY) →67200-87D30-OED
1-4	67200-94442-OED	REMOTE CONTROL BOX ASSY	1	DT40RC,→67200-87D30-OED
1-5	67200-94452-OED	REMOTE CONTROL BOX ASSY	1	DT40TC,→67200-87D30-OED
2	67232-95600	.BUSH	1	
3	67232-95620	.BUSH	1	
4	67296-95600	.SCREW	3	
5	67294-95600	.SPACER	3	
6	09160-06104	.WASHER	3	
7	09140-06020	.NUT	3	
8	67232-95610	.BUSH	1	
9	67253-95600	.WASHER	1	
10	67252-95600	.BUSH	1	
11	09100-08232	.BOLT	1	
12	67296-94300	.SCREW	3	
13-1	67241-95650	.LEVER, FREE THROTTLE (SILVER)	1	
13-2	67241-95680	.LEVER, FREE THROTTLE (GRAY)	1	
14	09126-05003	.SCREW	2	
15	67243-95600	.BUSH	1	
16	67220-95620	.PLATE ASSY	1	
17	67275-95600	.END, CABLE	2	
18	67223-95600	.KNOB, BRAKE ADJUST	1	

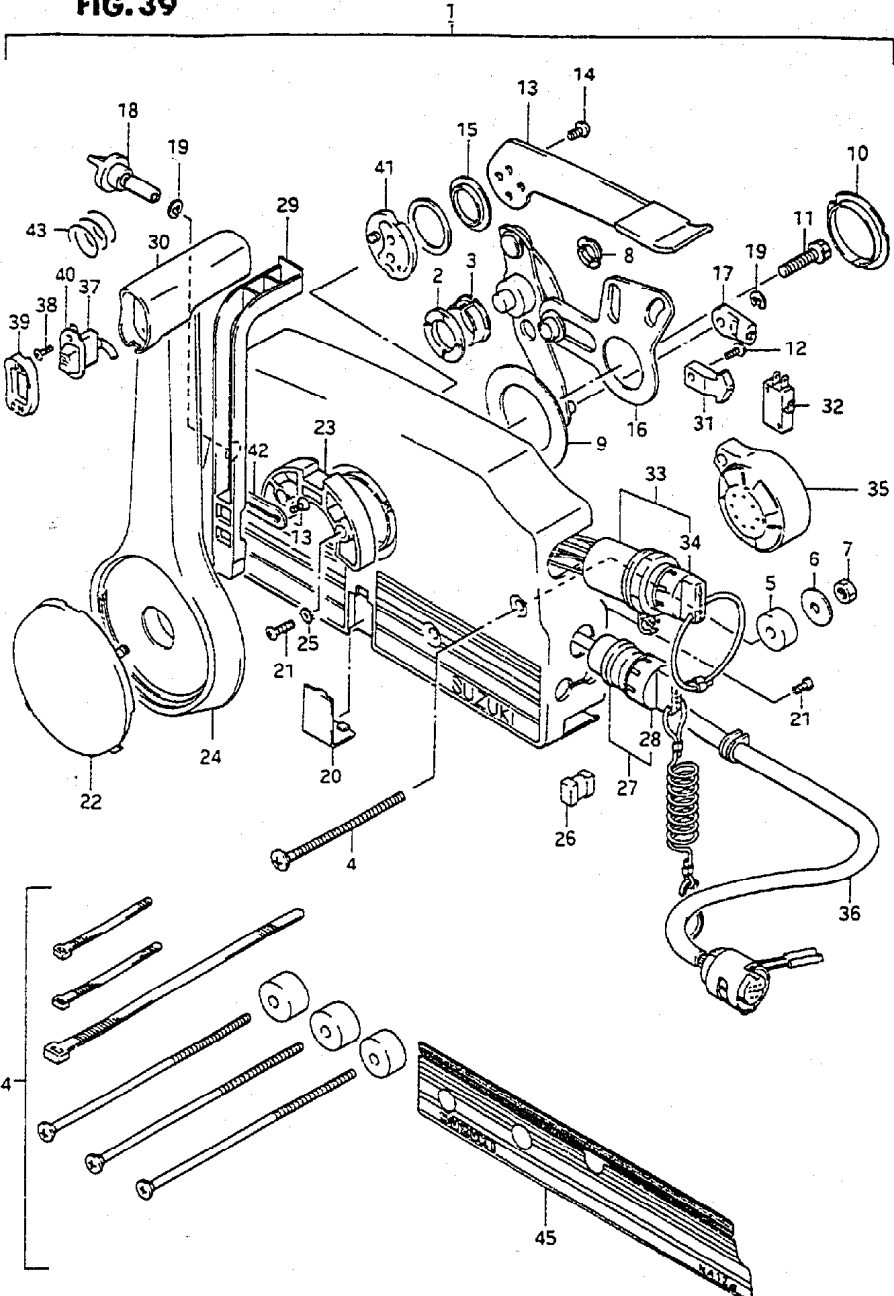
67200-87D12-OED : INCLUDES REF.NO.2~39  
 67200-94632-OED : INCLUDES REF.NO.2~39  
 67200-94442-OED,67200-94452-OED : INCLUDES REF.NO.2~39  
 67200-93961-O2M,67200-93961-OED : INCLUDES REF.NO.2~30

COLOR : 02M (SILVER)  
 OED (GRAY)

REFER TO FIG.40(H-13) FOR MODEL:93-98

FIG. 39

FIG. 39 ( H-11) REMOTE CONTROL



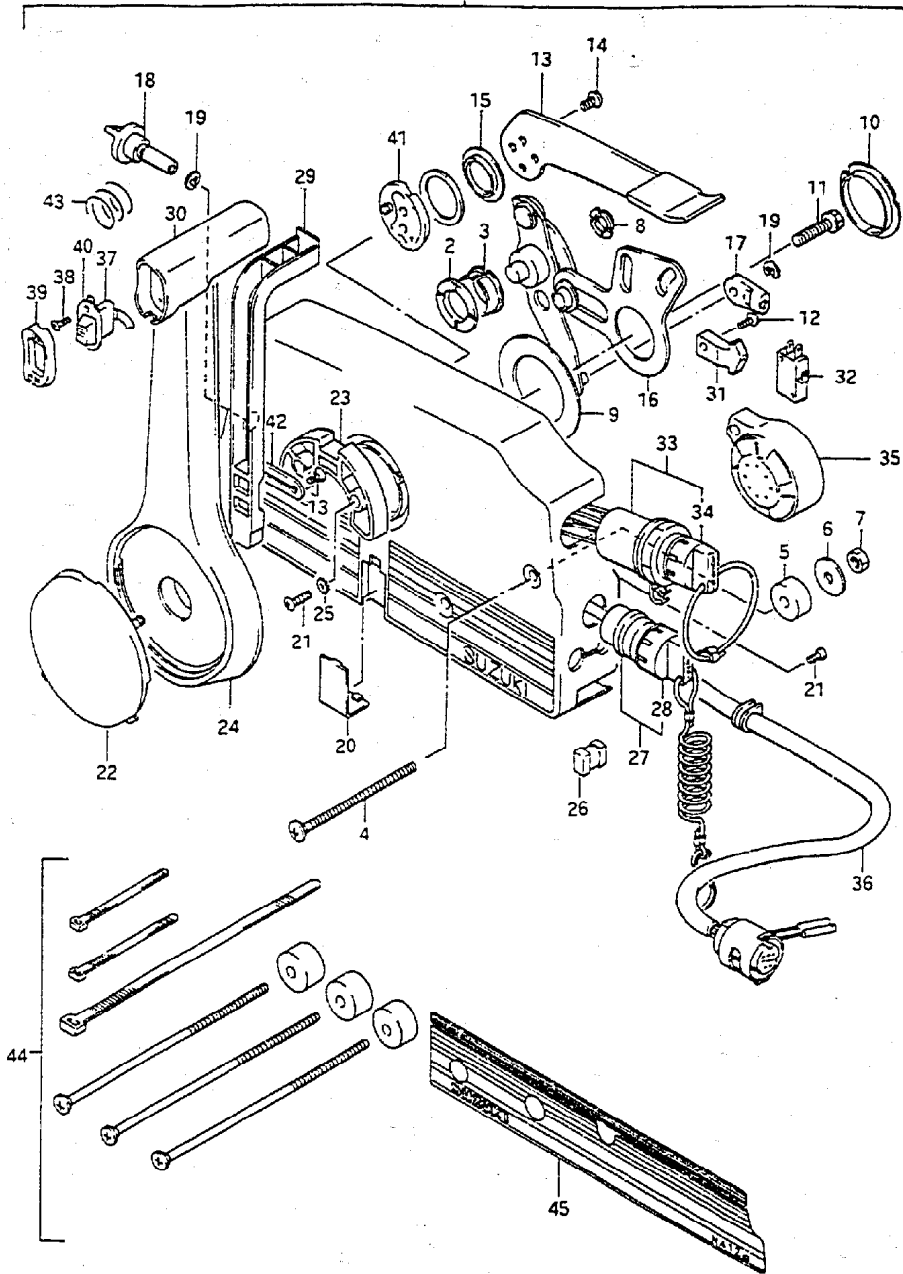
REF.NO.	PART NO.	DESCRIPTION	Q'TY	REMARKS
19	67292-94300	.E RING	3	
20-1	67267-95600	.COVER, WIRE (BLUE)	1	
20-2	67267-95610	.COVER, WIRE (BLACK)	1	
21	67296-95610	.SCREW	7	
22-1	67257-95600	.CAP, LEVER (BLUE)	1	
22-2	67257-95610	.CAP, LEVER (BLACK)	1	
23	67256-95600	.HOLDER, NEUTRAL LOCK	1	
24-1	67251-95650	.LEVER, HANDLE (SILVER)	1	
24-2	67251-95680	.LEVER, HANDLE (GRAY)	1	
25	67297-95600	.WASHER	2	
26	67273-95600	.SPACER	1	
27	37820-94404	.SWITCH ASSY, EMERGENCY	1	-37820-92E00
28	37823-94400	..CAP & ROPE	1	
29	67255-95600	.ARM, NEUTRAL LOCK	1	
30-1	67261-95600	.GRIP	1	FOR 67200-87D12-OED
30-2	67261-95610	.GRIP	1	FOR 67200-93961-OED, 67200-94632-OED,
31	67214-95600	.ACTUATOR	1	
32	37721-94600	.SWITCH, NEUTRAL	1	
33	37110-94611	.IGNITION SWITCH	1	-37110-92E00
34-1	37141-94400	..KEY (101)	1	
34-2	37141-94410	..KEY (102)	1	
34-3	37141-94420	..KEY (103)	1	
34-4	37141-94430	..KEY (104)	1	
34-5	37141-94440	..KEY (105)	1	
34-6	37141-94450	..KEY (106)	1	
35	38500-92X50	.BUZZER	1	
36	36620-92E00	.WIRING HARNESS	1	
37	37860-94610	.SWITCH, TRIM	1	FOR 67200-87D12-OED

FIG. 39

FIG. 39 ( H-12) REMOTE CONTROL

Q'TY

REF.NO.	PART NO.	DESCRIPTION	Q'TY	REMARKS
38	09139-02003	.SCREW	2	FOR 67200-87D12-OED
39	67263-95600	.CAP, GRIP	1	FOR 67200-87D12-OED
40	37869-95590	.CAP, TRIM SW	1	
41	67245-95600	.DRUM, FREE THROTTLE	1	
42	67258-87D00	.BRACKET, NEUTRAL ARM	1	
43	67259-87D00	.SPRING	1	
44	67140-95600	ATTACHMENT, TWIN REMOCON KIT	1	
45	67282-95610	DECAL, REMOCON BOX PORT	1	OPT, BLACK



DT40C E3

65

H 12

FIG. 40

FIG. 40 ( H-13) REMOTE CONTROL (MODEL:93~98)

Q'TY

REF.NO.	PART NO.	DESCRIPTION	Q'TY	REMARKS
1-1	67200-94470-OED	REMOTE CONTROL BOX ASSY	1	DT40RC →67200-97D30-OED
1-2	67200-94481-OED	REMOTE CONTROL BOX ASSY	1	DT40TC →67200-97D30-OED
1-3	67200-97D30-OED	REMOTE CONTROL BOX ASSY	1	MODEL:97,98
2	67232-95600	.BUSH	1	
3	67232-95620	.BUSH	1	
4	67296-95600	.SCREW	3	
5	67294-95600	.SPACER	3	
6	09160-06104	.WASHER	3	
7	09140-06020	.NUT	3	
8	67232-95610	.BUSH	1	
9	67253-95600	.WASHER	1	
10	67252-95600	.BUSH	1	
11	09100-08232	.BOLT	1	
12	67296-94300	.SCREW	3	
13	67241-95680	.LEVER, FREE THROTTLE (GRAY)	1	
14	09126-05003	.SCREW	2	
15	67243-95600	.BUSH	1	
16	67220-95620	.PLATE ASSY	1	
17	67275-95600	.END, CABLE	2	
18	67223-95600	.KNOB, BRAKE ADJUST	1	
19	67292-94300	.E RING	3	
20	67267-95610	.COVER, WIRE (BLACK)	1	
21	67296-95610	.SCREW	7	
22	67257-95610	.CAP, LEVER (BLACK)	1	
23	67256-95600	.HOLDER, NEUTRAL LOCK	1	
24	67251-95680	.LEVER, HANDLE (GRAY)	1	
25	67297-95600	.WASHER	2	
26	67273-95600	.SPACER	1	
27	37820-92E00	.SWITCH ASSY, EMERGENCY	1	
28	37823-92E00	.PLATE, LOCK	1	
29	67255-95600	.ARM, NEUTRAL LOCK	1	

COLOR : OED (GRAY)

DT40C E3

66

H13

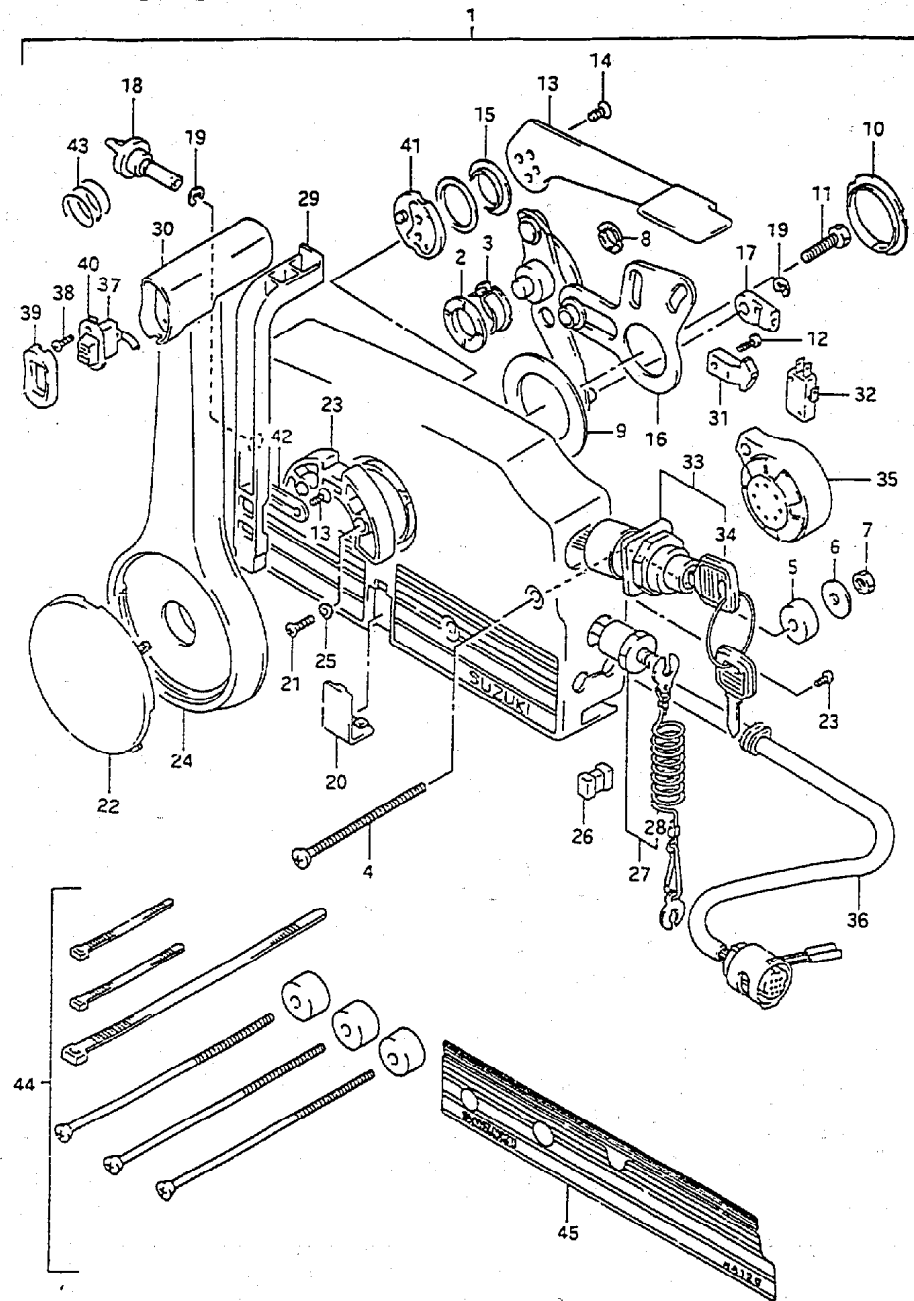


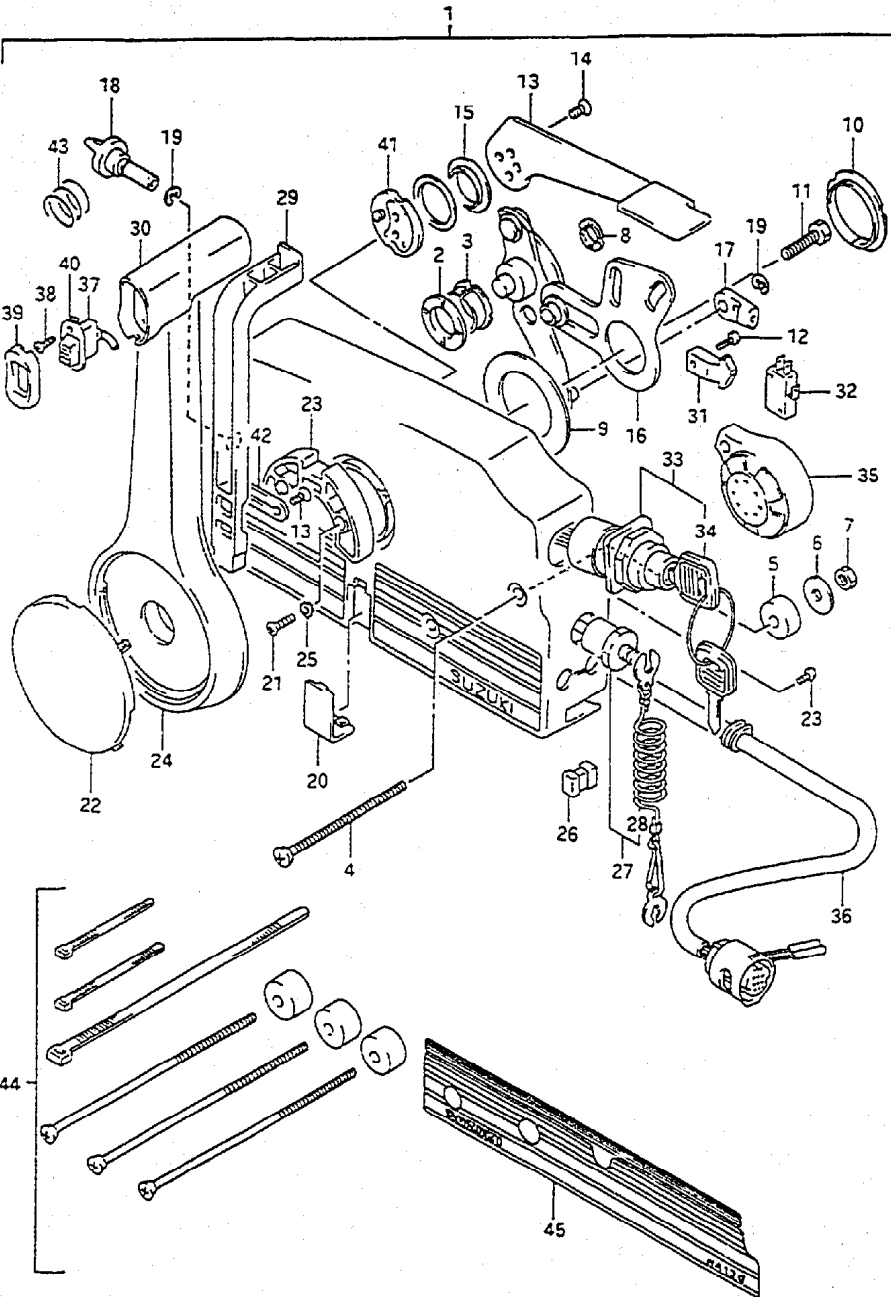
FIG. 40

FIG. 40 ( H-14) REMOTE CONTROL (MODEL:93-98)

Q'TY

REMARKS

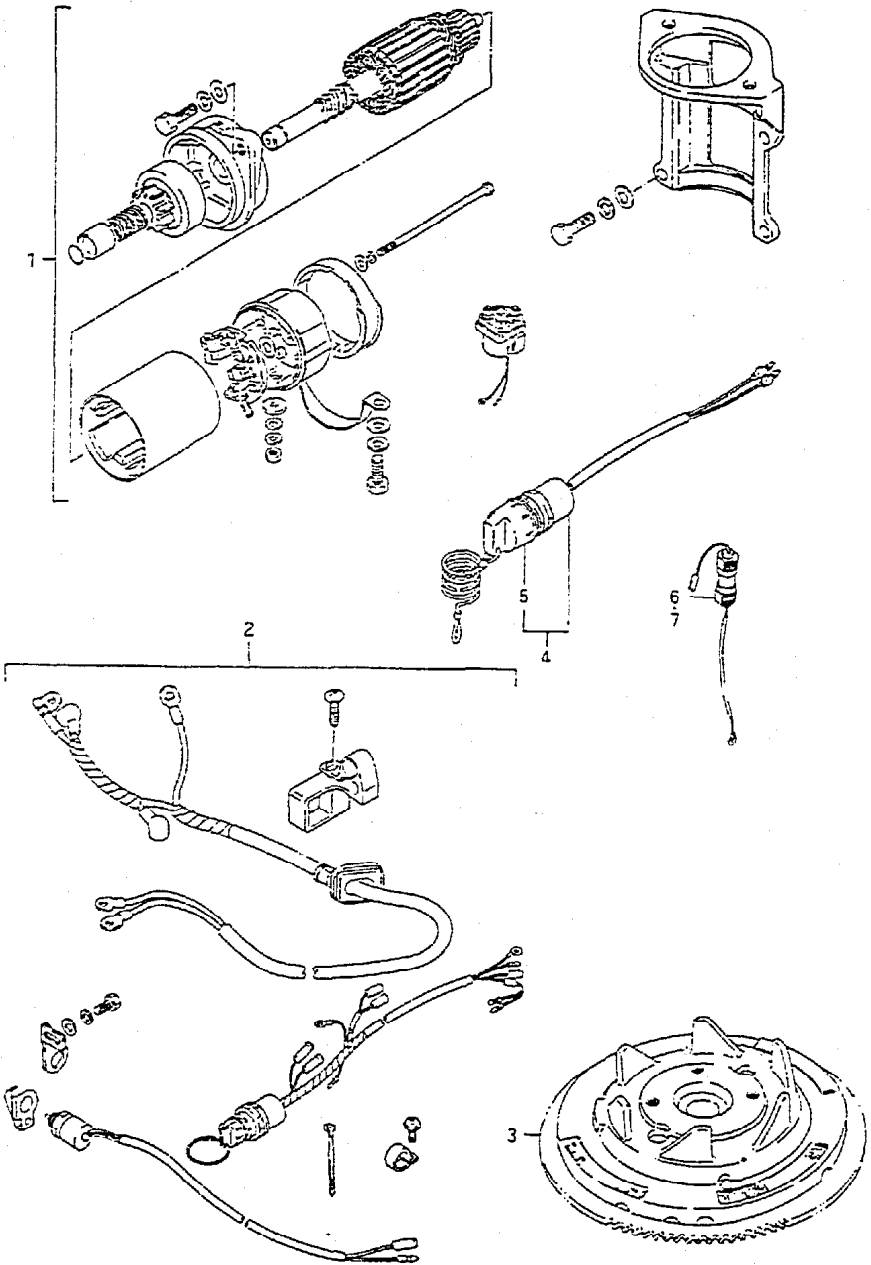
REF. NO.	PART NO.	DESCRIPTION	Q'TY	REMARKS
30-1	67261-95600	.GRIP	1	FOR 67200-94481-OED, 67200-87D30-OED
30-2	67261-95610	.GRIP	1	FOR 67200-94470-OED,
31	67214-95600	.ACTUATOR	1	
32	37721-94600	.SWITCH, NEUTRAL	1	
33	37110-92E01	.IGNITION SWITCH	1	
34-1	37141-92E00	..KEY (11)	1	
34-2	37141-92E10	..KEY (12)	1	
34-3	37141-92E20	..KEY (13)	1	
34-4	37141-92E30	..KEY (14)	1	
34-5	37141-92E40	..KEY (15)	1	
34-6	37141-92E50	..KEY (16)	1	
34-7	37141-92E60	..KEY (17)	1	
34-8	37141-92E70	..KEY (18)	1	
34-9	37141-92E80	..KEY (19)	1	
34-10	37141-92E90	..KEY (20)	1	
35	38500-92X50	.BUZZER	1	
36	36620-92E00	.WIRING HARNESS	1	
37	37860-94610	.SWITCH, TRIM	1	FOR 67200-94481-OED
38	09139-02003	.SCREW	2	FOR 67200-94481-OED
39	67263-95600	.CAP, GRIP	1	FOR 67200-94481-OED
40	37869-95590	.CAP, TRIM SW	1	FOR 67200-94481-OED
41	67245-95600	.DRUM, FREE THROTTLE	1	
42	67258-87D00	.BRACKET, NEUTRAL ARM	1	
43	67259-87D00	.SPRING	1	
44	67140-95600	ATTACHMENT, TWIN REMOCON KIT	1	
45	67282-95610	DECAL, REMOCON BOX PORT	1	OPT, BLACK



DT40C E3

FIG. 41

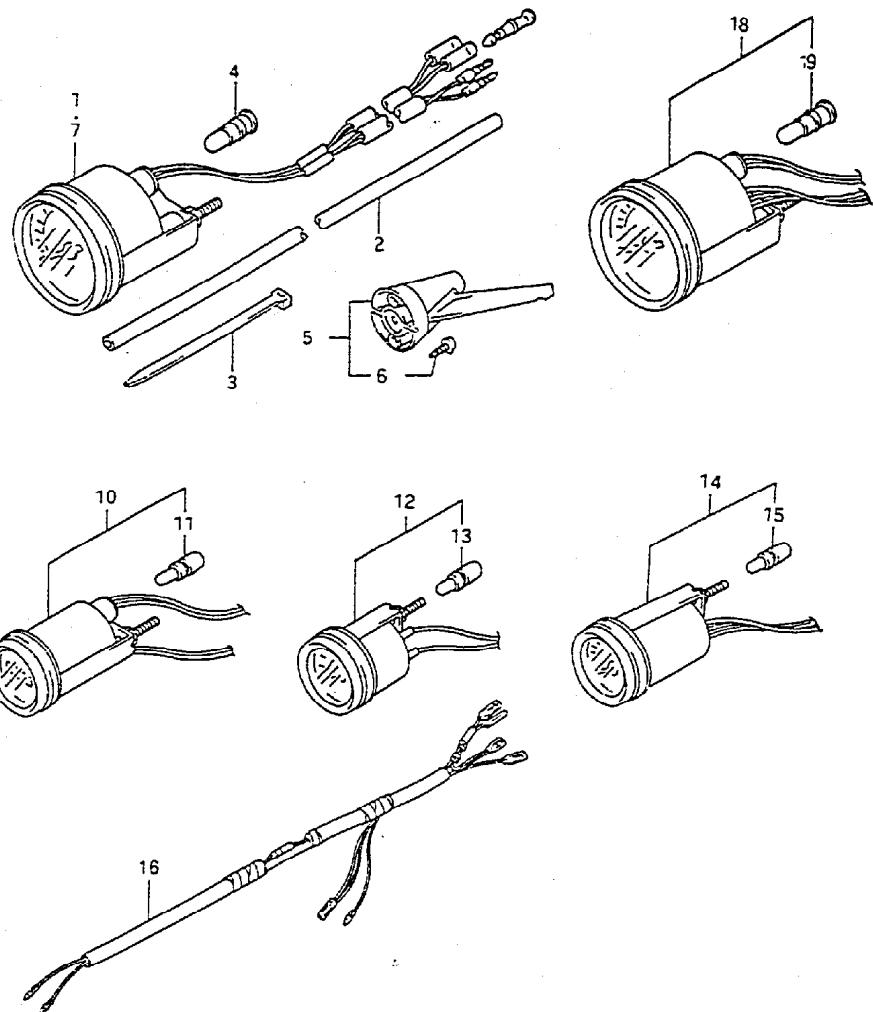
FIG. 41 ( 1- 2) OPTIONAL : ELECTRICAL



REF.NO.	PART NO.	DESCRIPTION	Q'TY	REMARKS
1	31101-94402	MOTOR SET, STARTING	1	
2	33800-94431	CABLE/SWITCH SET, STARTING	1	
3	32102-94412	FLYWHEEL	1	
4	37820-94460	SWITCH ASSY, EMERGENCY	1	~MODEL:92
5	37823-94400	.CAP	1	
6	36740-93901	CASE ASSY, FUSE	1	
7	09481-20001	.FUSE (20A)	1	

FIG.42

FIG.42 ( I- 3) OPTIONAL : METER



REF.NO.	PART NO.	DESCRIPTION	Q'TY	REMARKS
1	34100-92E00	SPEEDOMETER	1	80M/H
2	34191-92E00	TUBE	1	
3	09407-14407	BAND	2	
4	09471-12179	BULB	1	
5	34190-87D00	SENDER ASSY, SPEEDOMETER	1	
6	03112-06309	.SCREW	2	
7	34100-92E10	SPEEDOMETER	1	50M/H
8	34200-92E02	TACHOMETER	1	
9	09471-12179	.BULB	1	
10	34500-92E00	METER ASSY, HOUR	1	
11	09471-12180	.BULB	1	
12	34600-92E00	METER ASSY, VOLTAGE	1	
13	09471-12180	.BULB	1	
14	34800-92E00	METER ASSY, TRIM	1	
15	09471-12180	.BULB	1	
16	34109-94500	LEAD, METER EXT	1	

FIG. 43

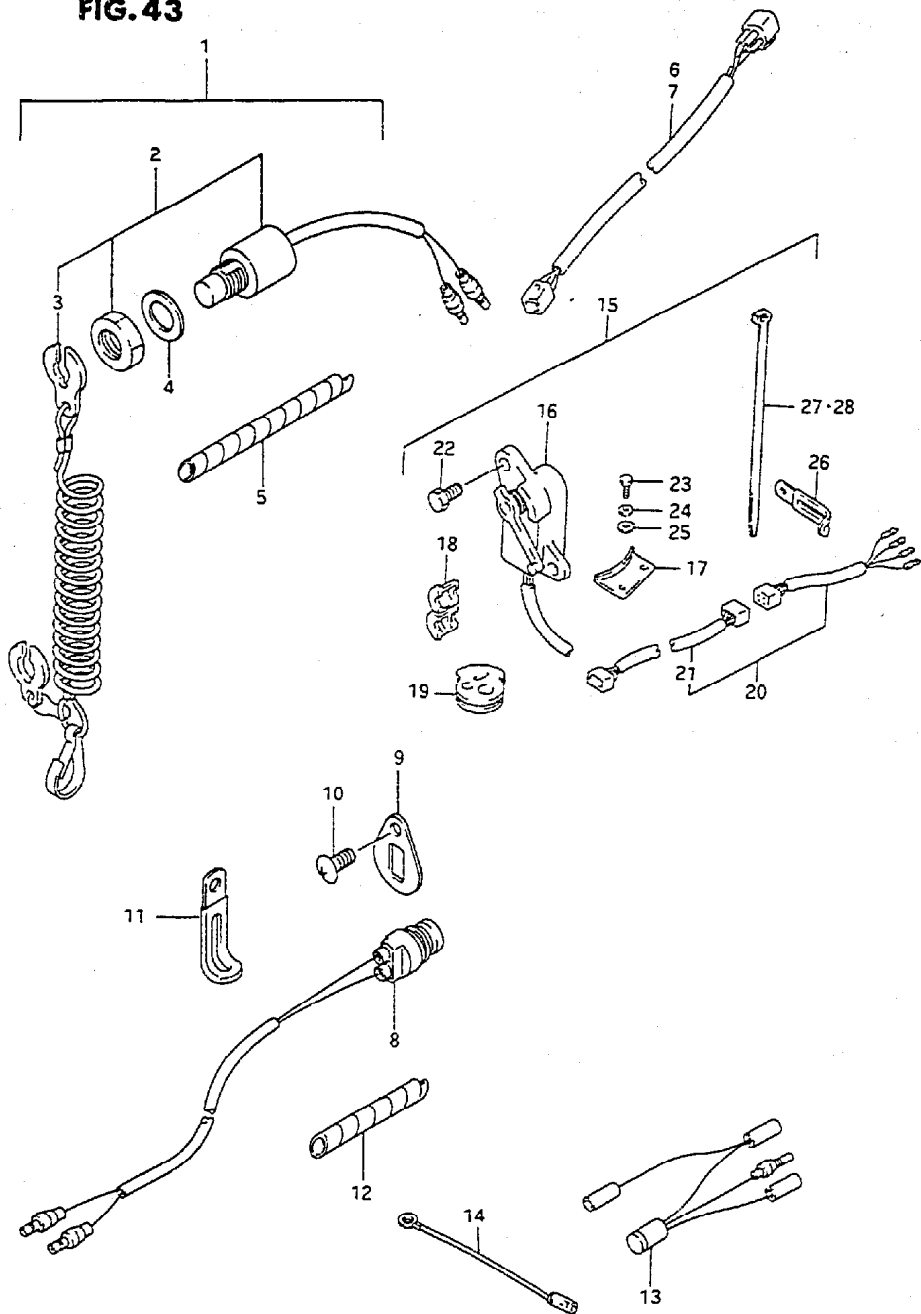


FIG. 43 ( 1- 4) OPTIONAL : ELECTRICAL (ELECTRIC STARTER)

REF.NO.	PART NO.	DESCRIPTION	Q'TY	REMARKS
1	37802-95D20	SWITCH SET, EMERGENCY	1	
2	37830-95D00	.SWITCH ASSY, EMERGENCY	1	
3	37823-92E00	..PLATE, LOCK	1	
4-1	09160-12067	.WASHER	2	
4-2	09160-12057	.WASHER	1	
5	38423-95510	.TUBE (L:150)	1	L:150~100
6	36660-94400	WIRE, SENDER EXT L	1	
7	36660-94480	WIRE, SENDER EXT S	1	
8	34850-94600	SENSOR ASSY, HEAT	1	STD:DT40TC, RC
9	34853-94700	SUPPORTER, HEAT SENSOR	1	STD:DT40TC, RC
10	09125-06069	SCREWS	1	STD:DT40TC, RC
11	09404-06432	CLAMP	1	
12	38423-95510	TUBE, HEAT SENSOR LEAD	1	STD:DT40TC, RC L:150~50
13	32815-94400	DIODE, HEAT SENSOR	1	MODEL:93~96 STD:DT40TC, RC
14	37801-98300	LEAD, HEAT SNSR GROUND	1	MODEL:93~95 STD:DT40TC, RC
15	34804-94701	SENDER SET, TRIM	1	
16	34801-94700	.SENDER, TRIM	1	
17	34802-95301	.ATTACHMENT, PTT	1	
18	34803-94500	.GROMMET, SENDER LEAD	1	
19	36658-95600	.GROMMET, TRIM SENDER WIRE	1	
20	36680-92E00	.WIRE ASSY, TRIM METER EXT & ADP	1	
21	36682-92E00	..WIRE, TRIM METER	1	
22	09100-06113	.BOLT	2	
23	09100-06131	.BOLT	2	
24	09160-06082	.WASHER	2	
25	09162-06006	.WASHER, LOCK	2	
26	09404-06432	.CLAMP	1	
27	09407-14407	.CLAMP	5	
28	09407-14403	.CLAMP	1	

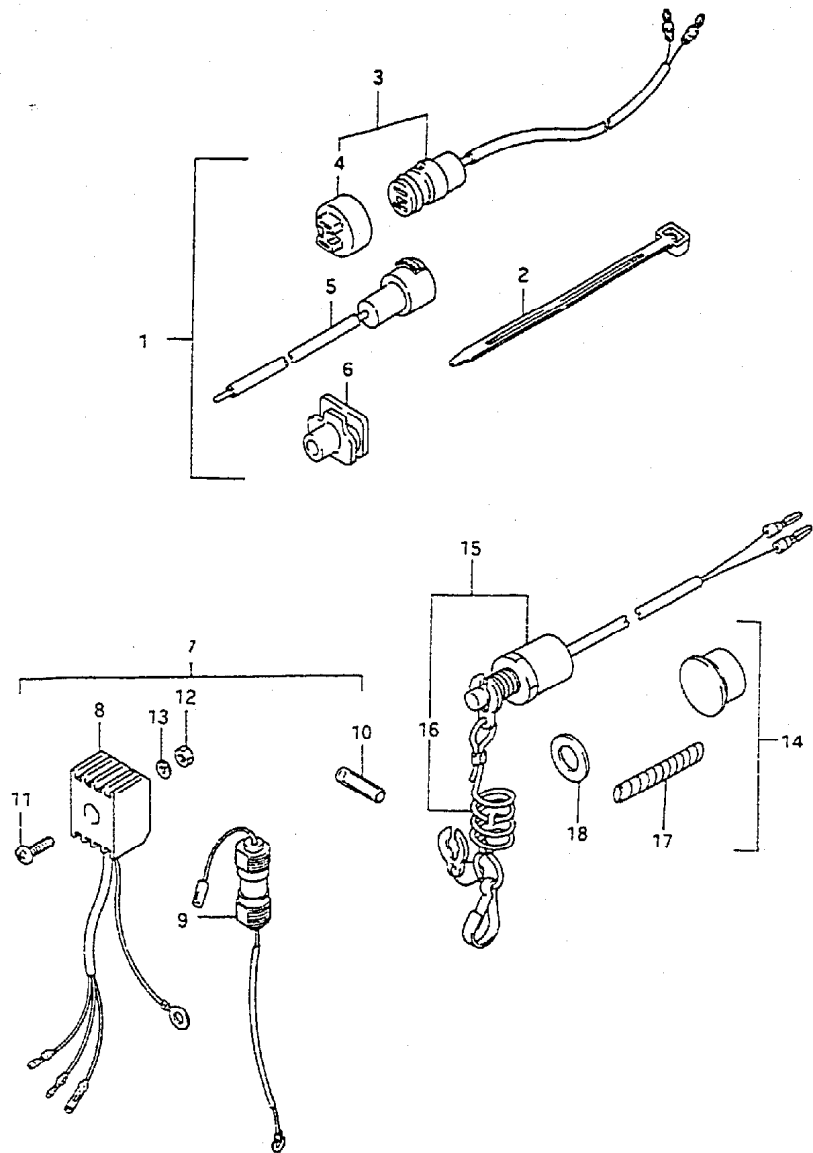
DT40C E3

70



FIG. 44

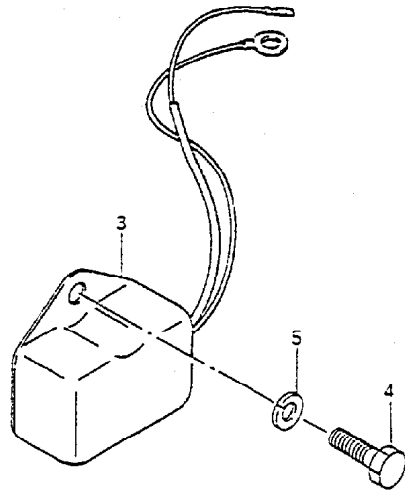
FIG.44 ( I- 5) OPTIONAL : ELECTRICAL (MANUAL STARTER)



REF.NO.	PART NO.	DESCRIPTION	Q'TY	REMARKS
1	39600-93910	RECEPTACLE SET	1	
2	09407-25402	.CLAMP	1	
3	39601-95D00	.RECEPTACLE ASSY, LIGHTING	1	
4	36634-93910	..CAP	1	
5	39602-93900	.PLUG ASSY, LIGHTING	1	
6	39603-94400	.GROMMET, LIGHTING CABLE	1	
7	32801-94402	RECTIFIER SET	1	
8	32800-95D01	.RECTIFIER ASSY	1	
9	36740-95253	.CASE ASSY, FUSE	1	
10	37132-93700	.CONNECTOR, LEAD	1	
11	02142-05253	.SCREW	1	
12	08310-00057	.NUT	1	
13	08321-01053	.WASHER	1	
14	37802-95D20	SWITCH SET, EMERGENCY & STOP	1	
15	37830-95D00	.SWITCH ASSY, EMERGENCY & STOP	1	
16	37823-92E00	..PLATE, LOCK	1	
17	38423-95510	.TUBE, 150	1	L:150→100
18	09160-12067	.WASHER (12.5X23.0X1)	1	

**FIG. 45**

FIG. 45 ( 1- 6) OPTIONAL : ELECTRICAL



REF. NO.	PART NO.	DESCRIPTION	Q'TY	REMARKS
1-1	36620-87D20	WIRING HARNESS EXTENSION	1	L:5000
1-2	36620-95302	WIRING HARNESS EXTENSION	1	L:2000
2	36631-94300	.CAP	1	
3	32500-95722	REGULATOR ASSY, VOLTAGE	1	
4	02162-06167	BOLT	2	
5	08321-01067	LOCK WASHER	2	
6	36620-92E00	WIRING HARNESS EXTENSION	1	
7	36615-96300	.TERMINAL	9	
9	36990-87D00	TERMINAL & SLEEVE SET	1	

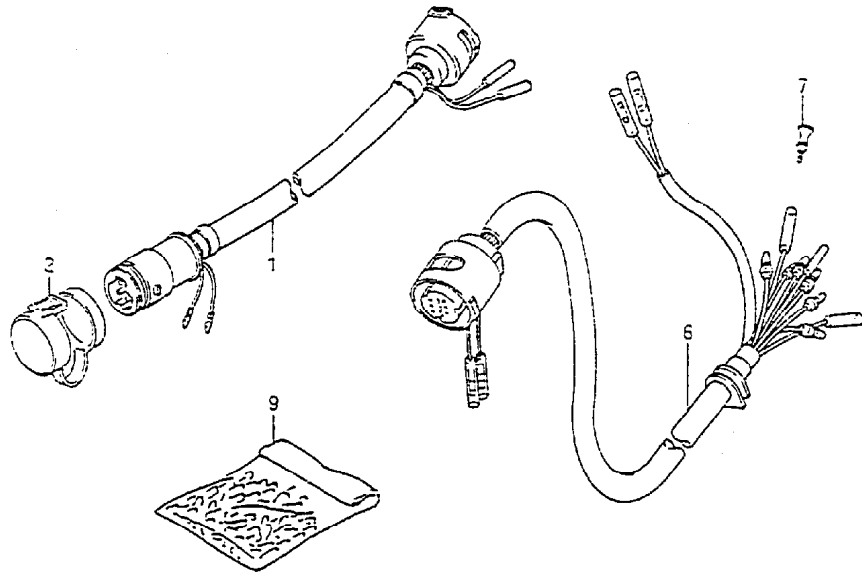


FIG.46

FIG.46 ( I- 7) OPTIONAL : TILLER HANDLE

Q'TY

REF.NO.	PART NO.	DESCRIPTION	Q'TY	REMARKS
1	63001-94431-OED	TILLER HANDLE ASSY (GRAY)	1	-63001-94430-OED
2	19184-94301	.BRACKET, THROTTLE CABLE	1	
3	37110-94X50	.SWITCH ASSY, IGNITION	1	-37110-94452
4	43753-94400	.GROMMET, STEERING BRACKET	1	
5	63111-96313-OED	.HANDLE, TILLER (GRAY)	1	
6	63114-94300	.SPACER, HANDLE COVER	1	
7	63115-96310	.SPACER, HANDLE COVER INNER	1	
8	63117-96300	.COVER, STOP SWITCH WIRE	1	
9-1	63118-94300	.SHIM (0.3)	1	
9-2	63118-94310	.SHIM (0.5)	1	
10	63121-96302-OED	.COVER, TILLER HANDLE (GRAY)	1	
11	63210-93E00	.GRIP	1	
12	09404-06433	.CLAMP	1	
13	63220-96301	.ROD, HANDLE	1	
14	63223-92D00	.STOPPER, HANDLE ROD	1	
15	63225-93200	.BUSH	1	
16	63227-93200	.PIN	1	
17	63240-96300	.ADJUSTER SET, HANDLE	1	
18	63610-94402	.CABLE ASSY, THROTTLE	2	
19	63625-96300	.GROMMET, THROTTLE CABLE	1	
20	09100-08147	.BOLT, HANDLE COVER	2	
21	09140-08016	.NUT, HANDLE COVER	2	
22	09162-08007	.WASHER, HANDLE COVER LOCK	2	
23	09163-06001	.LOCK WASHER	1	
24	09126-06006	.SCREW	1	
25	09440-12027	.SPRING	1	
26	36360-94400	.LAMP ASSY, OIL WARNING	1	
27	36365-94401	.INDICATOR, OIL WARNING	1	
28	37800-93954	.SWITCH, STOP	1	
29	09404-06432	.CLAMP	1	
30	63215-93401	MARK, HANDLE GRIP	1	

REFER TO FIG.47(I-8) FOR MODEL:93-98

DT40C E3

73

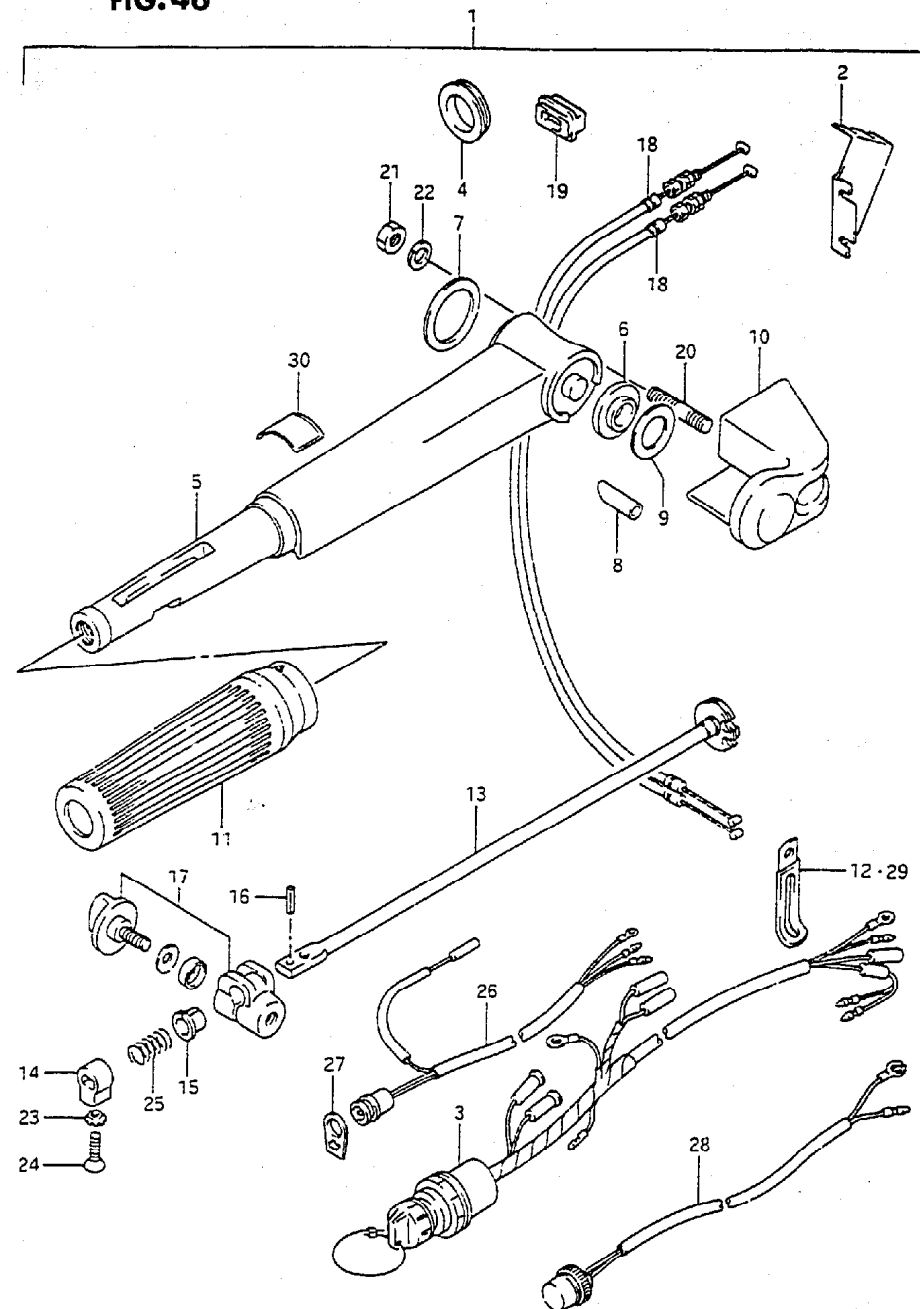
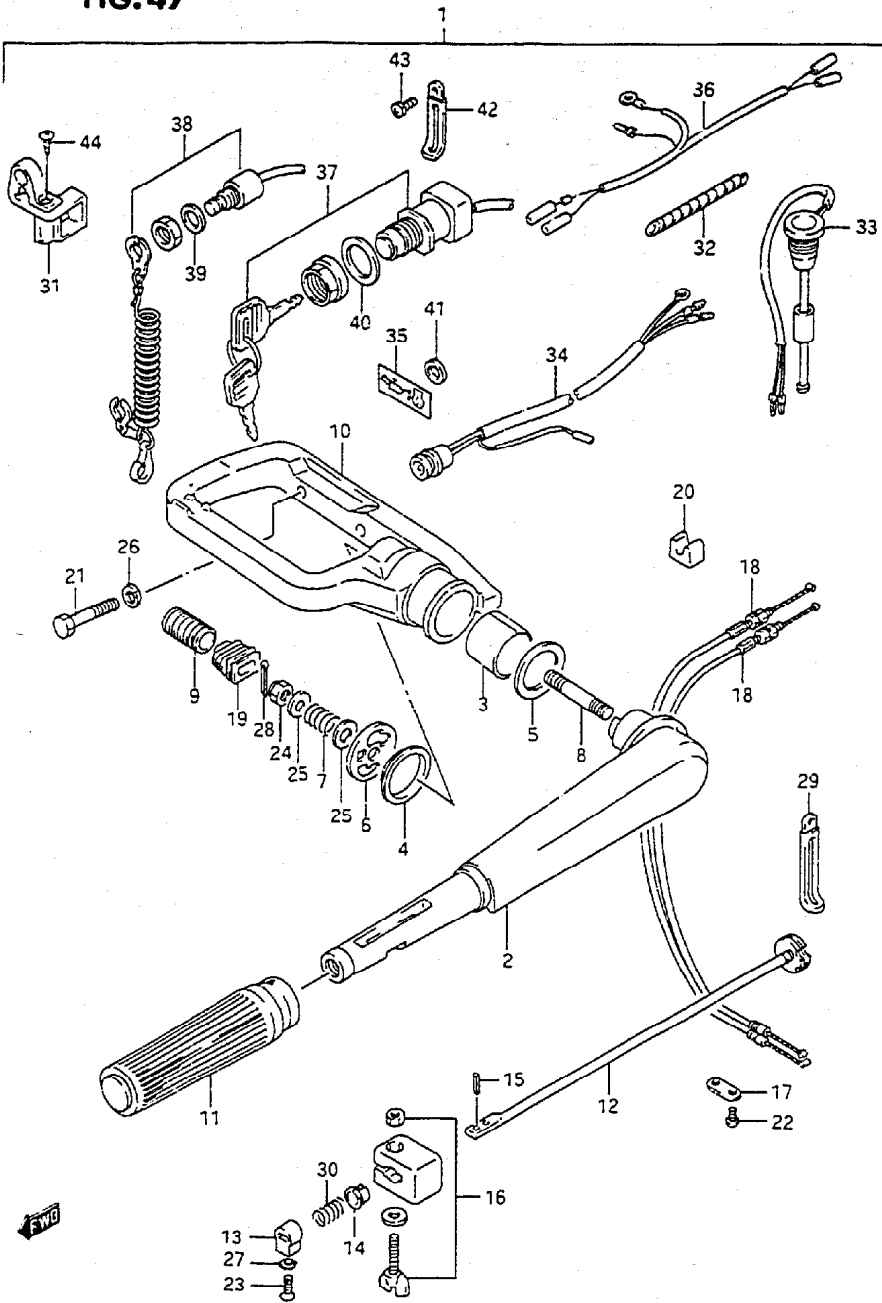


FIG. 47

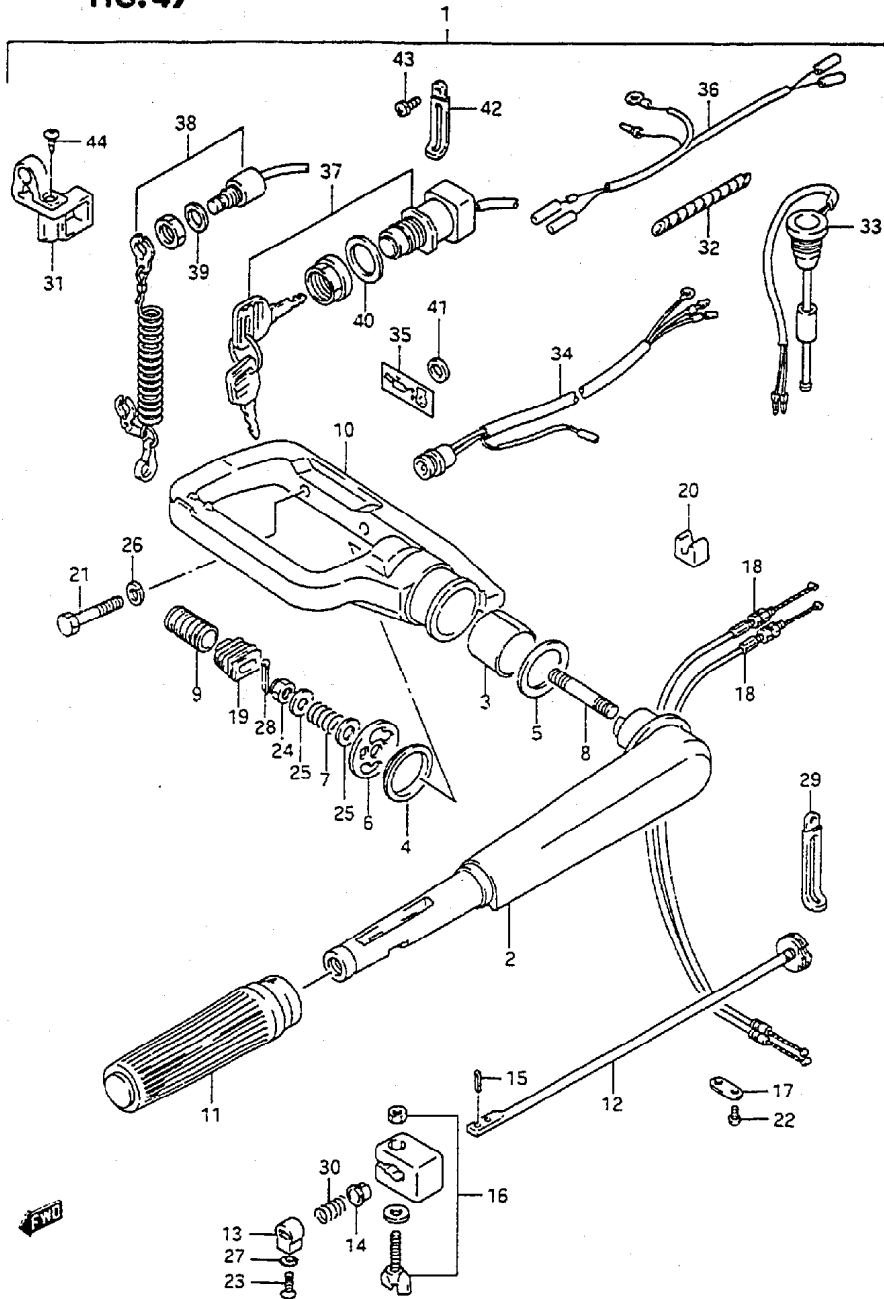
FIG. 47 ( I- 8) OPTIONAL : TILLER HANDLE (MODEL:93~98)



REF.NO.	PART NO.	DESCRIPTION	Q'TY	REMARKS
1	63001-97E02-OED	HANDLE ASSY, TILLER (GRAY)	1	
2	63111-97E03-OED	.HANDLE, TILLER (GRAY)	1	
3	63115-97E00	.BUSH, TILLER HANDLE	1	
4	63116-97E00	.WASHER, TILLER HANDLE NO.1	1	
5	63117-97E01	.WASHER, TILLER HANDLE NO.2	1	
6	63125-97E01	.PLATE, TILLER HANDLE	1	
7	63126-97E00	.SPRING, HANDLE STUD	1	
8	63127-97E00	.BOLT, HANDLE STUD	1	
9	63128-97E00	.COVER, HANDLE NUT	1	
10	63131-97E02-OED	.BRACKET, TILLER HANDLE (GRAY)	1	
11	63210-93E30	.GRIP	1	
12	63220-96301	.ROD, HANDLE	1	
13	63223-92D00	.STOPPER, HANDLE ROD	1	
14	63225-93200	.BUSH, HANDLE ROD	1	
15	63227-93200	.PIN, HANDLE ROD	1	
16	63240-97E00	.ADJUSTER SET, HANDLE GRIP	1	
17	63241-92D00	.SUPPORT, HANDLE ROD	1	
18	63610-94402	.CABLE ASSY, THROTTLE	2	
19	63625-96300	.GROMMET, THROTTLE CABLE	1	
20	63627-94400	.GUIDE, THROTTLE CABLE	1	
21	09100-10155	.BOLT, HANDLE BRKT	2	
22	09125-05046	.SCREW, HANDLE ROD SPRT	2	
23	09126-06015	.SCREW	1	
24	09159-10C50	.NUT, LOCK	1	
25	09160-10082	.WASHER, HANDLE STUD	2	
26	09162-10005	.WASHER, HANDLE BRKT LOCK	2	
27	09163-06001	.WASHER, HANDLE GRIP SCREW	1	
28	09204-01C02	.PIN, HANDLE STUD COTTER	1	
29	09404-06433	.CLAMP, T-HROTTLE CABLE	1	
30	09440-12027	.SPRING, HANDLE ROD	1	
31-1	33816-94400	.CLAMP, CABLE	1	
31-2	33816-96300	.CLAMP, CABLE	1	MODEL:96~98

FIG. 47

FIG. 47 ( I- 9) OPTIONAL : TILLER HANDLE (MODEL:93-98)



REF.NO.	PART NO.	DESCRIPTION	Q'TY	REMARKS
32	38423-95510	.TUBE, EMERGENCY SW LEAD	1	L:150-100
33	34860-94402	.SENSOR ASSY, OIL LEVEL	1	
34	36360-94400	.LAMP ASSY, OIL WARNING	1	
35	36367-95D10-064	.LABEL, OIL	1	
36	36893-94410	.WIRE ASSY, IG SW EXT	1	
37	37110-94461	.SWITCH ASSY, IGNITION	1	
38	37820-92E00	.SWITCH ASSY, EMERGENCY	1	
39	09160-12067	.WASHER, EMERGENCY SW	1	
40	09160-25069	.WASHER, IGNITION SW	1	
41	09320-11004	.GASKET, OIL LAMP	1	
42	09404-06432	.CLAMP, IGNITION SW LEAD	1	
43	02142-06127	.SCREW, IG SW LEAD CLAMP	1	
44	03242-06253	.SCREW, CABLE CLAMP	1	

FIG. 48

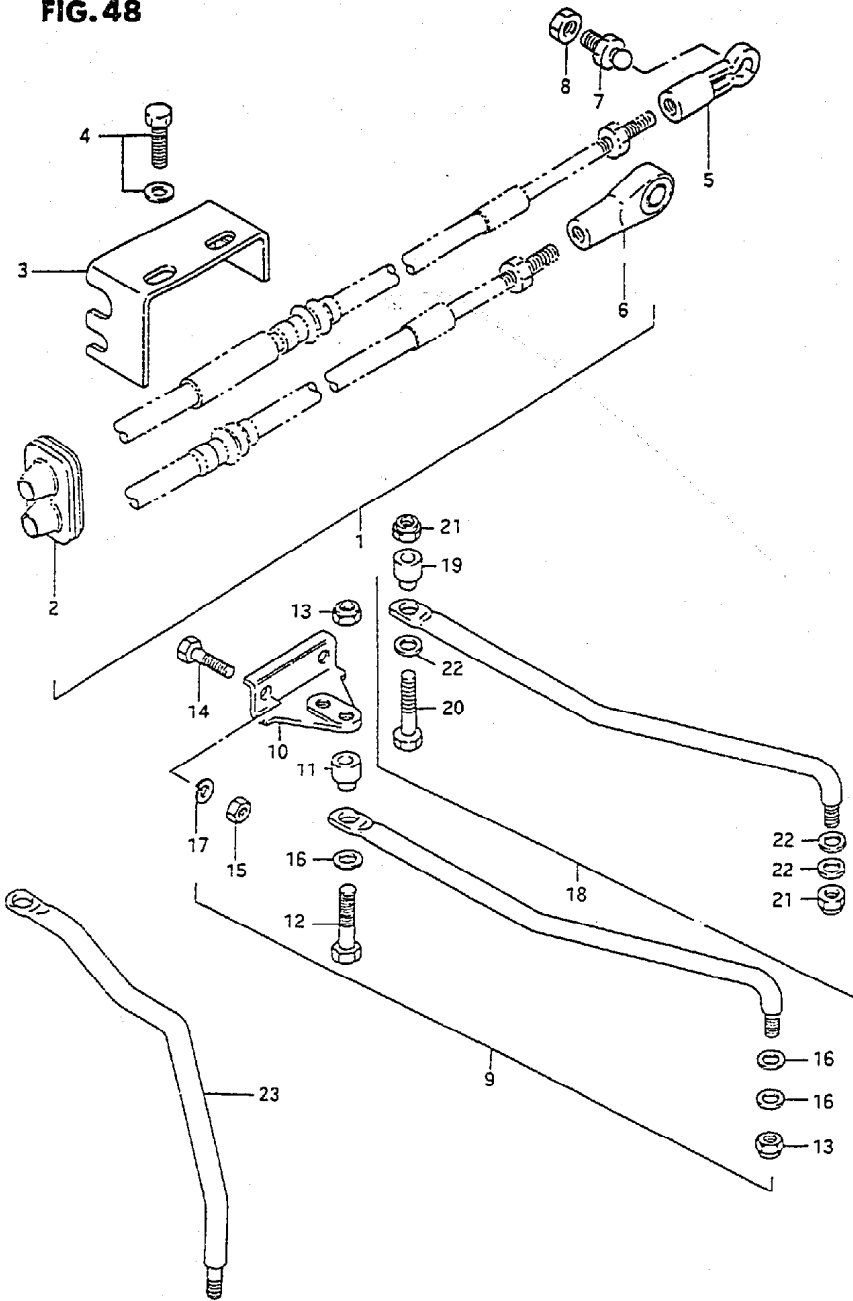
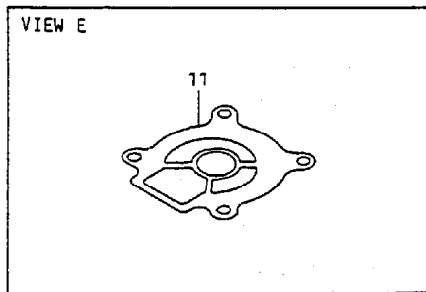
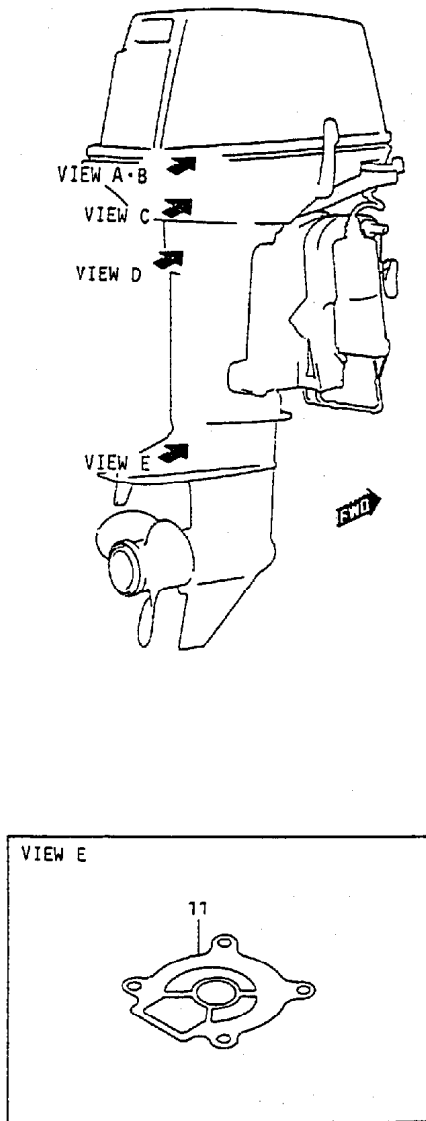
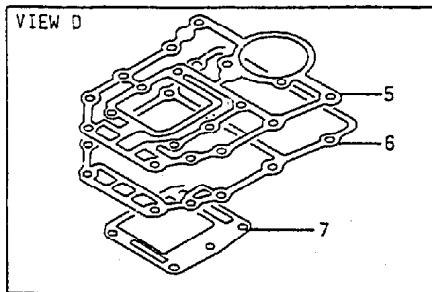
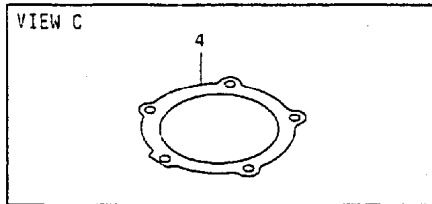
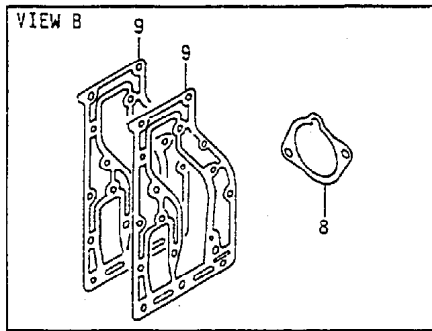
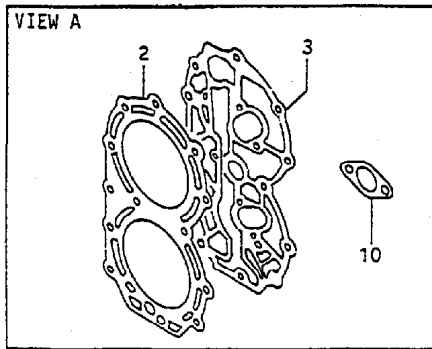


FIG. 48 ( I-10) OPTIONAL : REMO-CON PARTS

REF.NO.	PART NO.	DESCRIPTION	Q'TY	REMARKS
1	67130-94810	PARTS ASSY, REMO-CON	1	
2	67331-94400	.GROMMET, REMO-CON CABLE	1	STD:DT40TC,40RC
3	67341-94400	.HOLDER, REMO-CON CABLE	1	STD:DT40TC,40RC
4	09116-06092	.BOLT (6X16)	2	STD:DT40TC,40RC
5	67466-95200	.CONNECTOR, REMO-CON CABLE	1	STD:DT40TC,40RC
6	67467-94402	.CONNECTOR, REMO-CON CABLE(CL)	1	STD:DT40TC,40RC
7	09119-06047	.BALL PIVOT	1	STD:DT40TC,40RC
8	09140-06020	.NUT	1	STD:DT40TC,40RC
9	67701-94403	LINK ASSY, DRAG	1	STD:DT40TC,40RC
10	43755-96310	.ATTACHMENT, STEERING BRACKET	1	
11	67721-94300	.SPACER	1	
12	67725-94501	.BOLT	1	
13	67726-94500	.NUT	2	
14	09100-08224	.BOLT (8X35)	2	
15	09140-08016	.NUT	2	
16	67728-94501	.WASHER (10.5X19X2)	3	
17	09162-08007	.LOCK WASHER	2	
18	67701-94410	LINK ASSY, DRAG	1	MODEL:93~98
19	67721-94300	.SPACER	1	MODEL:93~98
20	67725-94501	.BOLT	1	MODEL:93~98
21	67726-94500	.NUT	2	MODEL:93~98
22	67728-94501	.WASHER	3	MODEL:93~98
23	67711-97E50	LINK, DRAG (LH)	1	

FIG. 49

FIG. 49 ( I-11) OPTIONAL : GASKET SET



REF.NO.	PART NO.	DESCRIPTION	Q'TY	REMARKS
1	11400-94859	GASKET SET	1	
2	11141-94440	.GASKET, CYLINDER HEAD	1	
3	11162-94410	.GASKET, CYLINDER HEAD COVER	1	
4	11413-94411	.GASKET, UPPER OIL SEAL	1	
5	11433-94411	.GASKET, UNDER OIL SEAL	1	
6	11434-94411	.GASKET, UNDER OIL SEAL LOWER	1	
7	14212-94411	.GASKET, EXHAUST TUBE	1	
8	13855-95210	.GASKET, SILENCER	1	
9	14151-94411	.GASKET, EXHAUST COVER	2	
10	16731-95310	.GASKET, OIL PUMP RETAINER	1	
11	17472-96301	.GASKET, PUMP CASE UNDER	1	

FIG. 50

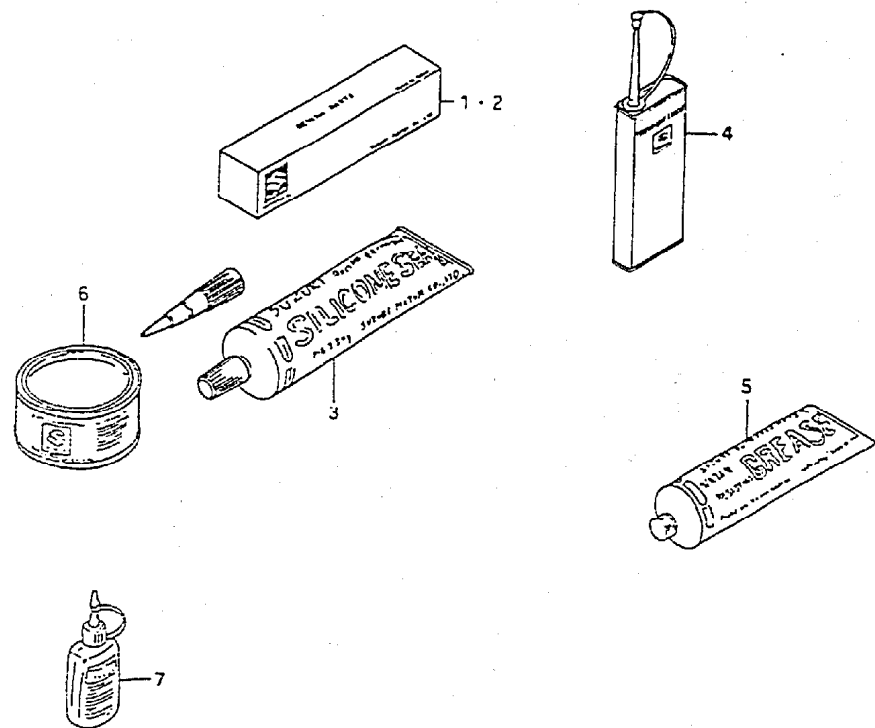


FIG. 50 ( I-12) OPTIONAL

REF.NO.	PART NO.	DESCRIPTION	Q'TY	REMARKS
1	99000-31030	GASKET, LIQUID	1	FOR CRANKCASE,100G
2	93691-80030	GASKET, LIQUID	1	FOR GEAR CASE,100G
3	99000-31120	SILICONE SEAL	1	50G
4	99000-32050	THREAD LOCK	1	50G (1342)
5	99000-25160	GREASE, WATER RESISTANT	1	250G
6	99000-25010	SUZUKI SUPER GREASE A	1	450G, FOR CRANK OIL SEAL
7	99000-32020	THREAD LOCK SUPER	1	50G (1333B)
8-1	99011-94426-03A	MANUAL, OWNER'S	1	MODEL:89 NOT SHOWN
8-2	99011-94427-03A	MANUAL, OWNER'S	1	MODEL:90 NOT SHOWN
8-3	99011-94428-03A	MANUAL, OWNER'S	1	MODEL:91 NOT SHOWN
8-4	99011-94429-03A	MANUAL, OWNER'S	1	MODEL:92 NOT SHOWN
8-5	99011-94470-03A	MANUAL, OWNER'S	1	MODEL:93 NOT SHOWN
8-6	99011-94471-03A	MANUAL, OWNER'S	1	DT40C MODEL:94 NOT SHOWN
8-7	99011-94472-03A	MANUAL, OWNER'S	1	DT40TC MODEL:94 NOT SHOWN
8-8	99011-94473-03A	MANUAL, OWNER'S	1	MODEL:95 NOT SHOWN
8-9	99011-94475-03A	MANUAL, OWNER'S	1	MODEL:96 NOT SHOWN
8-10	99011-94477-03A	MANUAL, OWNER'S	1	MODEL:97 NOT SHOWN
8-11	99011-94478-03A	MANUAL, OWNER'S	1	MODEL:98 NOT SHOWN